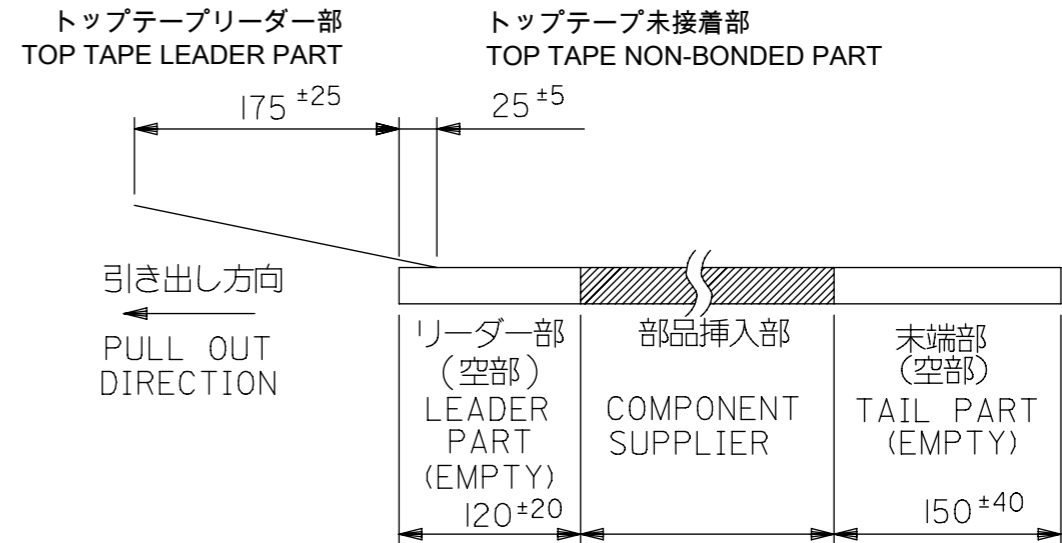


注記 NOTES

1. 梱包数量 : 1000個/リール NUMBER OF CONNECTORS : 1000PCS/REEL

2. リードテープ長さ LEAD TAPE LENGTH



3. トップテープの剥離強度についてはIEC60286-3に準拠。
TOP TAPE PEEL FORCE IS DEFINED BY IEC60286-3.

4. 材料 キャリアテープ : ポリプロピレン (PP)
トップテープ : PET, PE, PEF
リール : ポリスチレン (PS) <リサイクル材を含む>

MATERIAL

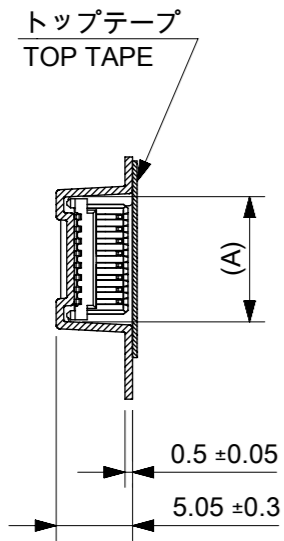
CARRIER TAPE : POLYPROPYLENE

TOP TAPE : PET, PE, PEF

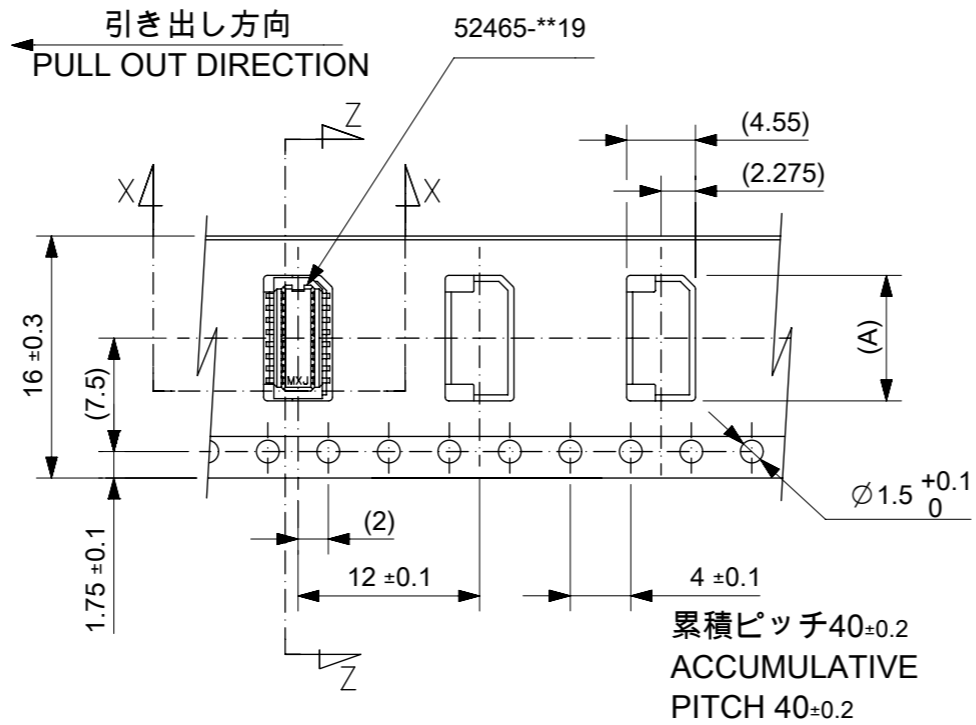
REEL : POLYSTYRENE (PS) < CONTAINED RECYCLE MATERIAL >

5. 本製品は52465-**90の鉛フリー品である。
THIS PRODUCT IS LEAD FREE OF 52465-**90.

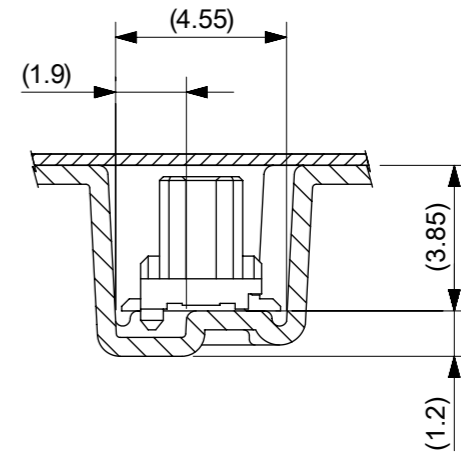
THIS DRAWING CONTAINS INFORMATION THAT IS PROPRIETARY TO MOLEX ELECTRONIC TECHNOLOGIES, LLC AND SHOULD NOT BE USED WITHOUT WRITTEN PERMISSION		CURRENT REV DESC:		molex	
DIMENSION UNITS	SCALE				
mm	NTS			PRODUCT CUSTOMER DRAWING	
GENERAL TOLERANCES (UNLESS SPECIFIED)		EC NO: 653700		DOCUMENT NUMBER	
ANGULAR TOL ±		DRWN: AHMADI2 2021/02/02		SD-52465-024	
4 PLACES ±		CHK'D: HSHIMOYAMA 2021/02/26		DOC TYPE	
3 PLACES ±		APPR: SHOSHIKAWA 2021/02/26		PSD	
2 PLACES ±		INITIAL REVISION:		DOC PART	
1 PLACE ±		DRWN: HSHIMABUKURO 2004/02/27		001	
0 PLACES ±		APPR: MSASAO 2004/03/05		REVISION	
DRAFT WHERE APPLICABLE MUST REMAIN WITHIN DIMENSIONS		THIRD ANGLE PROJECTION	DRAWING	SERIES	MATERIAL NUMBER
		⊕	A3-SIZE	52465	CUSTOMER
					GENERAL MARKET
					SHEET NUMBER
					1 OF 3



SECT. Z-Z



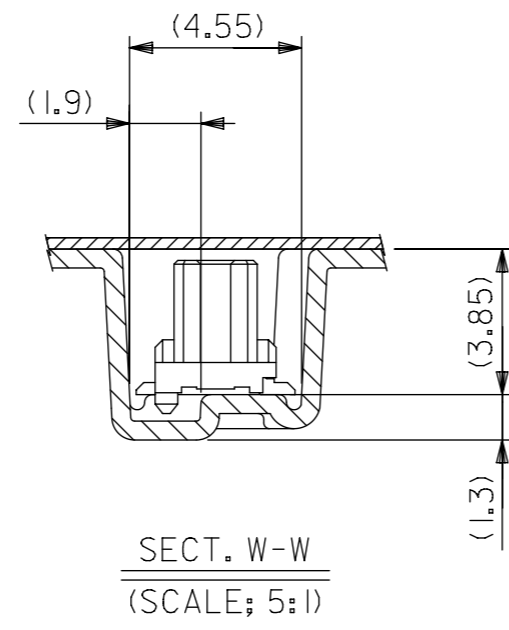
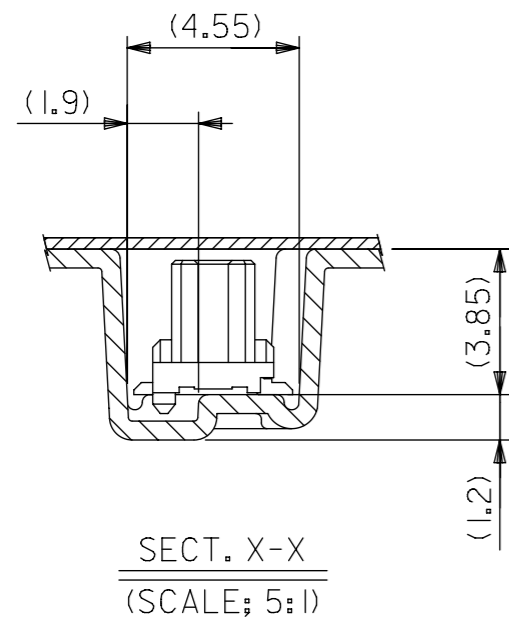
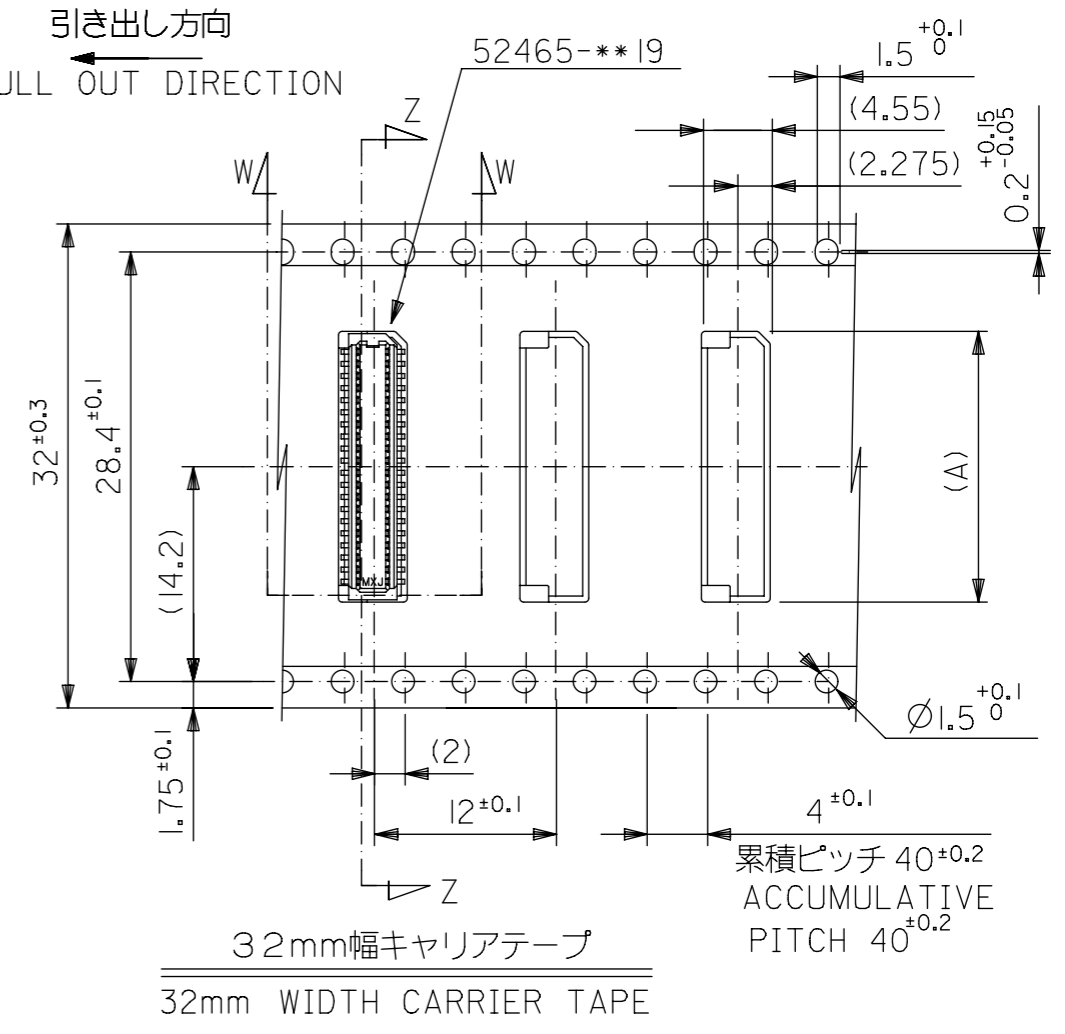
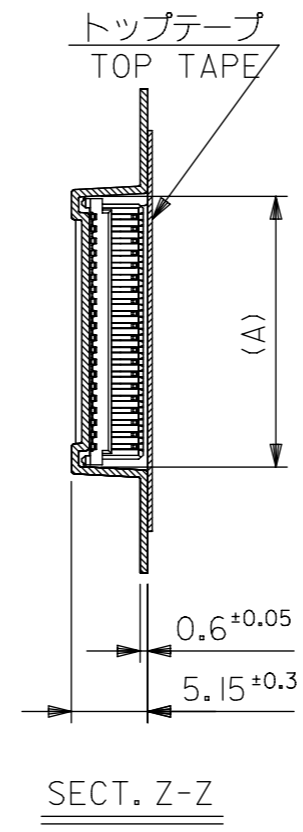
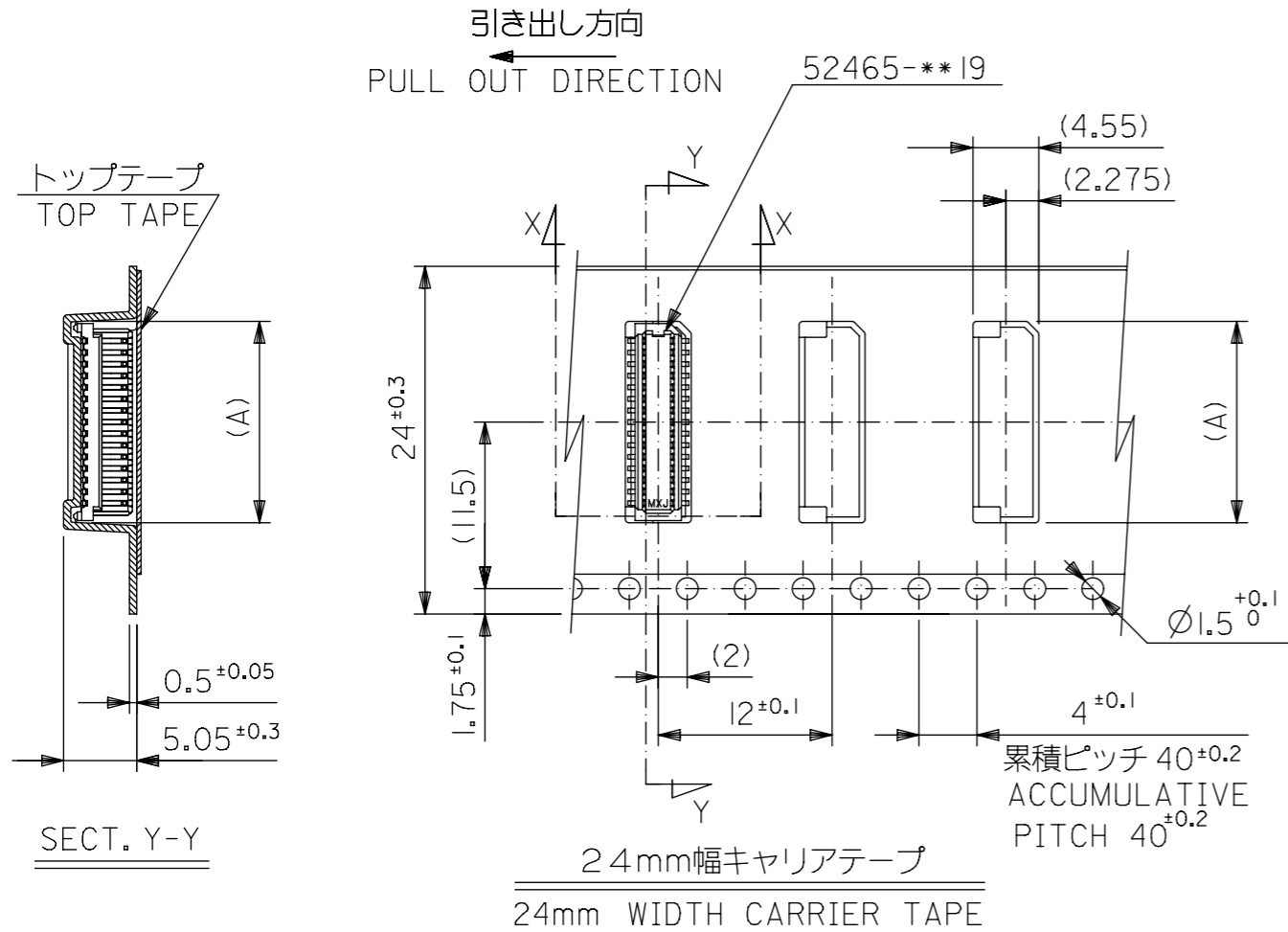
16mm幅キャリアテープ
16mm WIDTH CARRIER TAPE



SECT. X-X
(SCALE:5-1)

16	21.4	17.4	9.1	52465-1870	18	
			8.3	52465-1670	16	
			7.5	52465-1470	14	
			6.7	52465-1270	12	
			5.9	52465-1070	10	
キャリアテープ幅 CARRIER TAPE WIDTH		C	B	(A)	EMBOSSED TAPE PACKAGE	極数 CIRCUIT
				ORDER NO		

THIS DRAWING CONTAINS INFORMATION THAT IS PROPRIETARY TO MOLEX ELECTRONIC TECHNOLOGIES, LLC AND SHOULD NOT BE USED WITHOUT WRITTEN PERMISSION		CURRENT REV DESC:		molex		
DIMENSION UNITS	SCALE					
mm	NTS			PRODUCT CUSTOMER DRAWING		
GENERAL TOLERANCES (UNLESS SPECIFIED)		EC NO: 653700		DOCUMENT NUMBER		
ANGULAR TOL ±		DRWN: AHMADI2 2021/02/02		SD-52465-024		
4 PLACES ±		CHK'D: HSHIMROYAMA 2021/02/26		DOC TYPE DOC PART REVISION		
3 PLACES ±		APPR: SHOSHIKAWA 2021/02/26		PSD 001 A		
2 PLACES ±		INITIAL REVISION:		MATERIAL NUMBER		
1 PLACE ±		DRWN: HSHIMABUKURO 2004/02/27		CUSTOMER		
0 PLACES ±		APPR: MSASAO 2004/03/05		GENERAL MARKET		
DRAFT WHERE APPLICABLE MUST REMAIN WITHIN DIMENSIONS		THIRD ANGLE PROJECTION	DRAWING	SERIES	SHEET NUMBER	
			A3-SIZE	52465	2 OF 3	

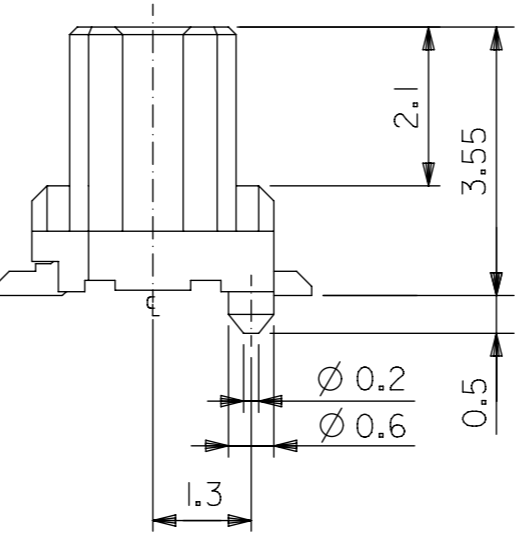
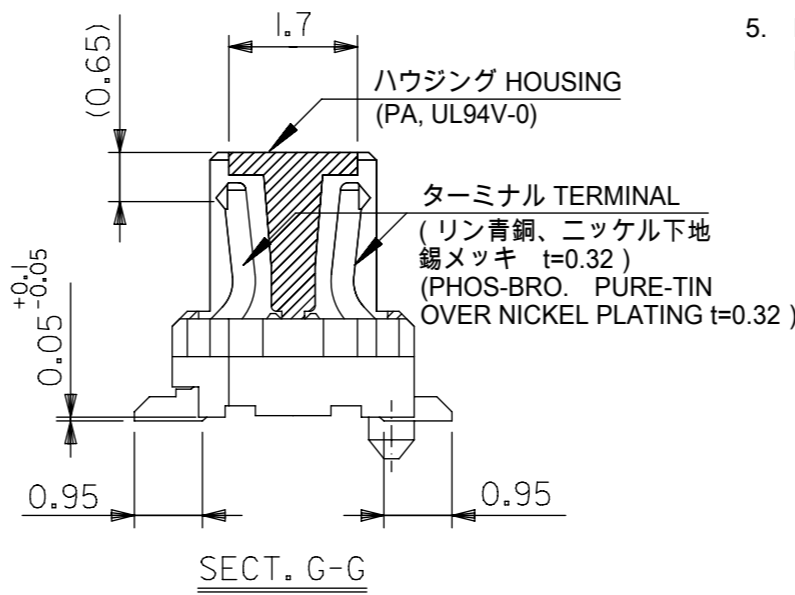
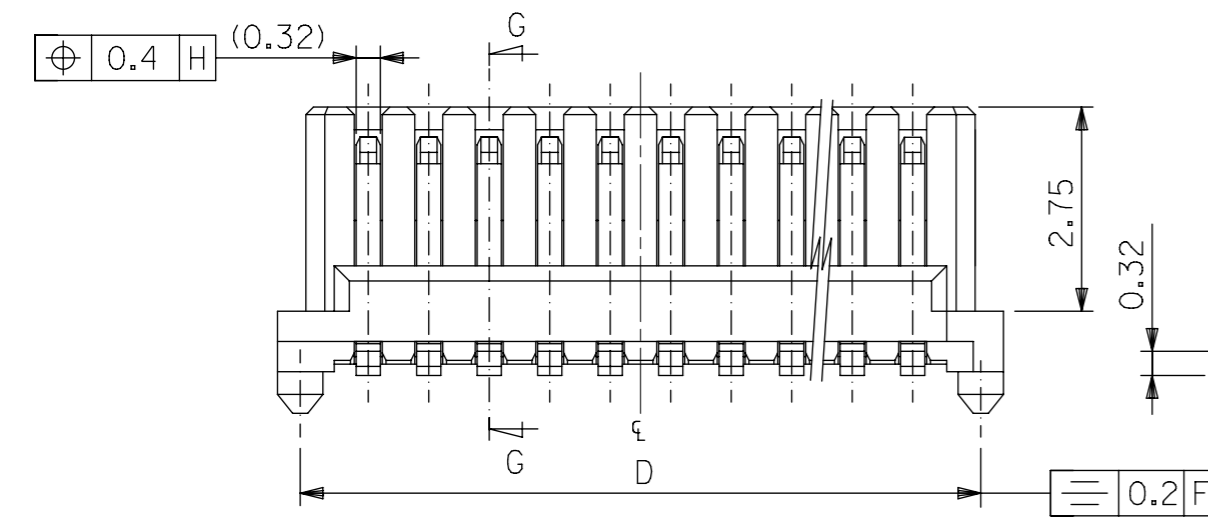
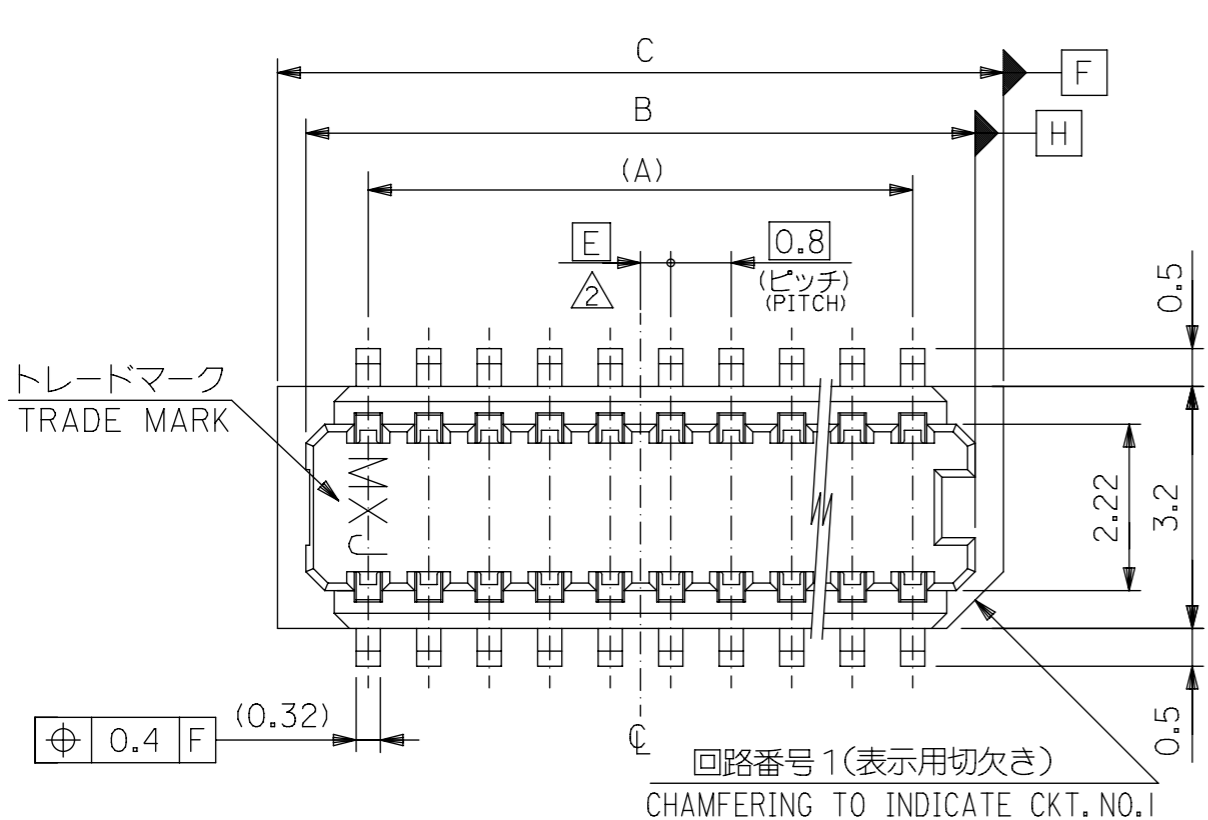


32	37.4	33.4	17.9	52465-4070	40	
24	29.4	25.4	16.3	52465-3670	36	
			14.7	52465-3270	32	
			13.9	52465-3070	30	
			13.1	52465-2870	28	
			12.3	52465-2670	26	
			11.5	52465-2470	24	
			10.7	52465-2270	22	
9.9	52465-2070	20				
キャリアテープ幅 CARRIER TAPE WIDTH		C	B	(A)	EMBOSSED TAPE PACKAGE	極数 CIRCUIT
ORDER NO						

THIS DRAWING CONTAINS INFORMATION THAT IS PROPRIETARY TO MOLEX ELECTRONIC TECHNOLOGIES, LLC AND SHOULD NOT BE USED WITHOUT WRITTEN PERMISSION

DIMENSION UNITS	SCALE	CURRENT REV DESC:	molex		
mm	NTS				
GENERAL TOLERANCES (UNLESS SPECIFIED)			0.8 MM PITCH B-TO-B CONN. RECEPTACLE (WITH BOSS) EMBOSS TAPE PACKAGE		
ANGULAR TOL	±		PRODUCT CUSTOMER DRAWING		
4 PLACES	±		DOCUMENT NUMBER		
3 PLACES	±		DOC TYPE		
2 PLACES	±		DOC PART		
1 PLACE	±		REVISION		
0 PLACES	±		SD-52465-024		
DRAFT WHERE APPLICABLE MUST REMAIN WITHIN DIMENSIONS			GENERAL MARKET		
THIRD ANGLE PROJECTION			SHEET NUMBER		
DRAWING			3 OF 3		
SERIES			A		
MATERIAL NUMBER			PSD 001		
CUSTOMER			A		
A3-SIZE			3 OF 3		
52465					

EC NO: 653700
DRWN: AHMADI2 2021/02/02
CHK'D: HSHIMOYAMA 2021/02/26
APPR: SHOSHIKAWA 2021/02/26
INITIAL REVISION:
DRWN: HSHIMABUKURO 2004/02/27
APPR: MSASAO 2004/03/05



NOTES

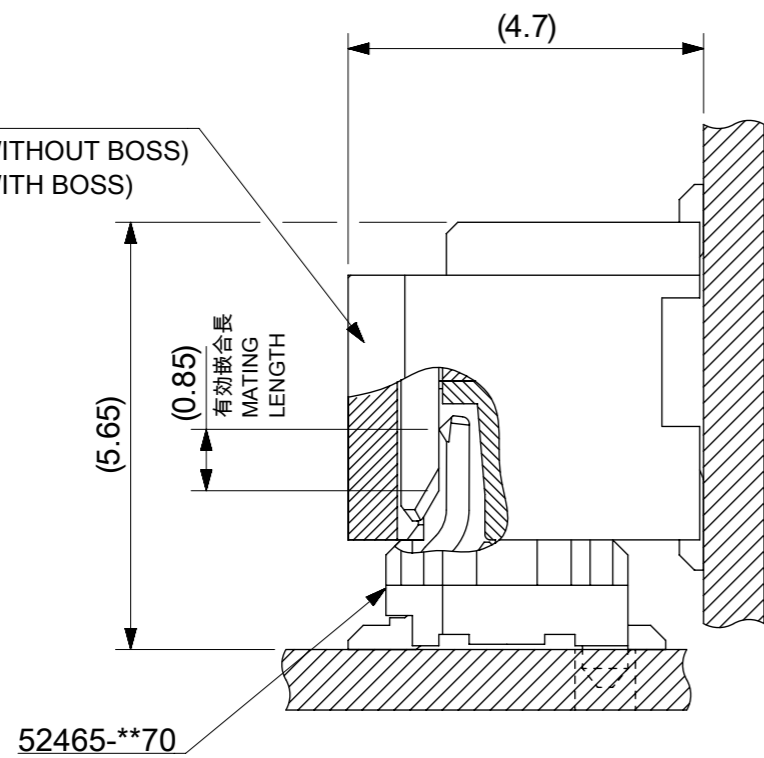
1. 嵌合相手 : 53307, 53309シリーズ
MATE WITH : 53307, 53309 SERIES
2. ハウジングのφから隣接するターミナルのφ迄の位置を示す。
SHOW POSITION FROM φ OF HOUSING TO φ OF ADJACENT TERMINALS.
3. 一对の基板の嵌合に於いて、本製品を2個以上使用することは推奨できません。
MXJ DOES NOT RECOMMEND THE USAGE OF TWO OR MORE OF THESE CONNECTORS BETWEEN A SINGLE PAIR OF P.C.BOARD.
4. 本製品は 52465-**17の鉛フリー品である。
THIS PRODUCT IS LEAD FREE OF 52465-**27.
5. ELV及びRoHS適合品
ELV AND RoHS COMPLIANT.

0.4	17.0	17.6	16.85	15.2	52465-4070	40
0.4	15.4	16.0	15.25	13.6	52465-3670	36
0.4	13.8	14.4	13.65	12.0	52465-3270	32
0.8	13.0	13.6	12.85	11.2	52465-3070	30
0.4	12.2	12.8	12.05	10.4	52465-2870	28
0.8	11.4	12.0	11.25	9.6	52465-2670	26
0.4	10.6	11.2	10.45	8.8	52465-2470	24
0.8	9.8	10.4	9.65	8.0	52465-2270	22
0.4	9.0	9.6	8.85	7.2	52465-2070	20
0.8	8.2	8.8	8.05	6.4	52465-1870	18
0.4	7.4	8.0	7.25	5.6	52465-1670	16
0.8	6.6	7.2	6.45	4.8	52465-1470	14
0.4	5.8	6.4	5.65	4.0	52465-1270	12
0.8	5.0	5.6	4.85	3.2	52465-1070	10
E	D	C	B	A	EMBOSSED TAPE PACKAGE	極数
					ORDER NO	CIRCUITS

THIS DRAWING CONTAINS INFORMATION THAT IS PROPRIETARY TO MOLEX ELECTRONIC TECHNOLOGIES, LLC AND SHOULD NOT BE USED WITHOUT WRITTEN PERMISSION

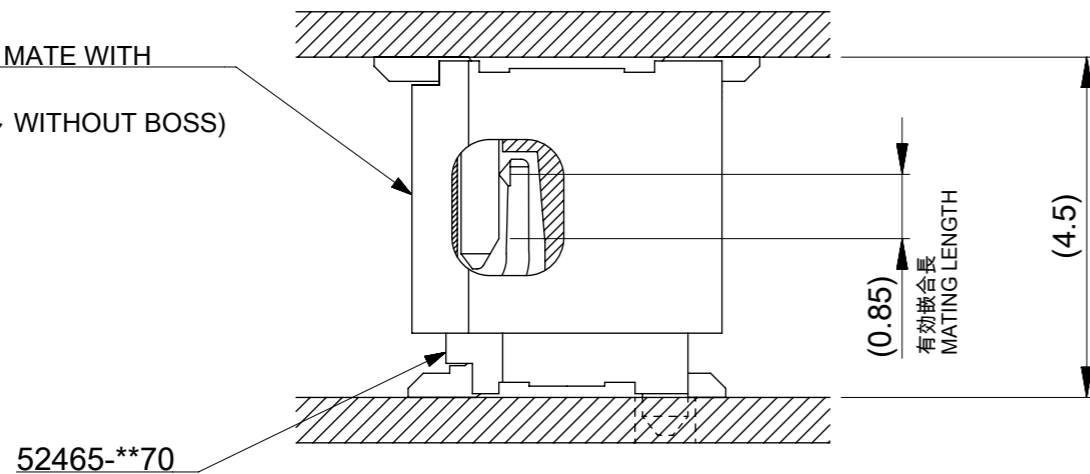
DIMENSION UNITS	SCALE	CURRENT REV DESC:	molex
mm	NTS		
GENERAL TOLERANCES (UNLESS SPECIFIED)		EC NO: 656567	0.8 MM PITCH B-TO-B CONN. RECEPTACLE (WITH BOSS)
ANGULAR TOL ± 30°		DRWN: AHMADI2 2021/02/02	
4 PLACES ± 0.2		CHK'D: HSHIMOYAMA 2021/02/26	PRODUCT CUSTOMER DRAWING
3 PLACES ± 0.25		APPR: SHOSHIKAWA 2021/02/26	
2 PLACES ± 0.3		INITIAL REVISION:	DOCUMENT NUMBER
1 PLACE ±		DRWN: HSHIMABUKURO 2004/02/27	SD-52465-025
0 PLACES ±		APPR: MSASAO 2004/03/05	DOC TYPE
DRAFT WHERE APPLICABLE MUST REMAIN WITHIN DIMENSIONS		THIRD ANGLE PROJECTION	DOC PART
		DRAWING	001
		SERIES	E
		MATERIAL NUMBER	GENERAL MARKET
		CUSTOMER	SHEET NUMBER
		A3-SIZE	1 OF 2
		52465	

嵌合相手 MATE WITH
 53309-**70 (BOSS無し WITHOUT BOSS)
 53309-**71 (BOSSあり WITH BOSS)

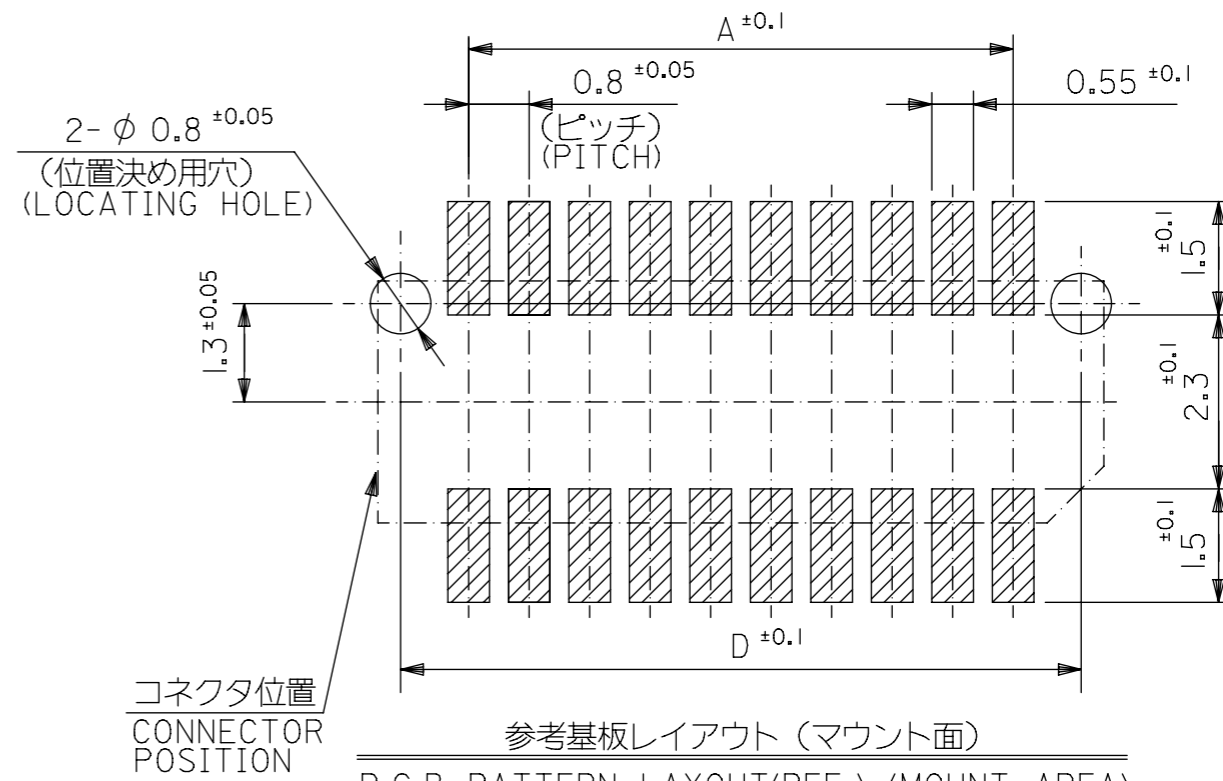


嵌合状態図 (参考)
 MATED DRAWING (REF.)

嵌合相手 MATE WITH
 53307-**71
 (BOSS無し WITHOUT BOSS)



嵌合状態図 (参考)
 MATED DRAWING (REF.)



コネクタ位置
 CONNECTOR
 POSITION

参考基板レイアウト (マウント面)
 P.C.B. PATTERN LAYOUT (REF.) (MOUNT AREA)

THIS DRAWING CONTAINS INFORMATION THAT IS PROPRIETARY TO MOLEX ELECTRONIC TECHNOLOGIES, LLC AND SHOULD NOT BE USED WITHOUT WRITTEN PERMISSION

DIMENSION UNITS	SCALE	CURRENT REV DESC:		
mm	NTS			
GENERAL TOLERANCES (UNLESS SPECIFIED)		molex		
ANGULAR TOL ± 30°		0.8 MM PITCH B-TO-B CONN. RECEPTACLE (WITH BOSS)		
4 PLACES ± 0.2		PRODUCT CUSTOMER DRAWING		
3 PLACES ± 0.25		DOCUMENT NUMBER		
2 PLACES ± 0.3		SD-52465-025		
1 PLACE ±		DOC TYPE DOC PART REVISION		
0 PLACES ±		PSD 001 E		
DRAFT WHERE APPLICABLE MUST REMAIN WITHIN DIMENSIONS		SHEET NUMBER		
		2 OF 2		

GENERAL TOLERANCES (UNLESS SPECIFIED)	
10 ^{UNDER}	±0.2
10 ^{OVER} 30 ^{UNDER}	±0.25
30 ^{OVER}	±0.3
ANGULAR ± 3°	

EC NO: 656567	2021/02/02
DRWN: AHMADI2	2021/02/26
CHK'D: HSHIMOYAMA	2021/02/26
APPR: SHOSHIKAWA	2021/02/26
INITIAL REVISION:	
DRWN: HSHIMABUKURO	2004/02/27
APPR: MSASAO	2004/03/05