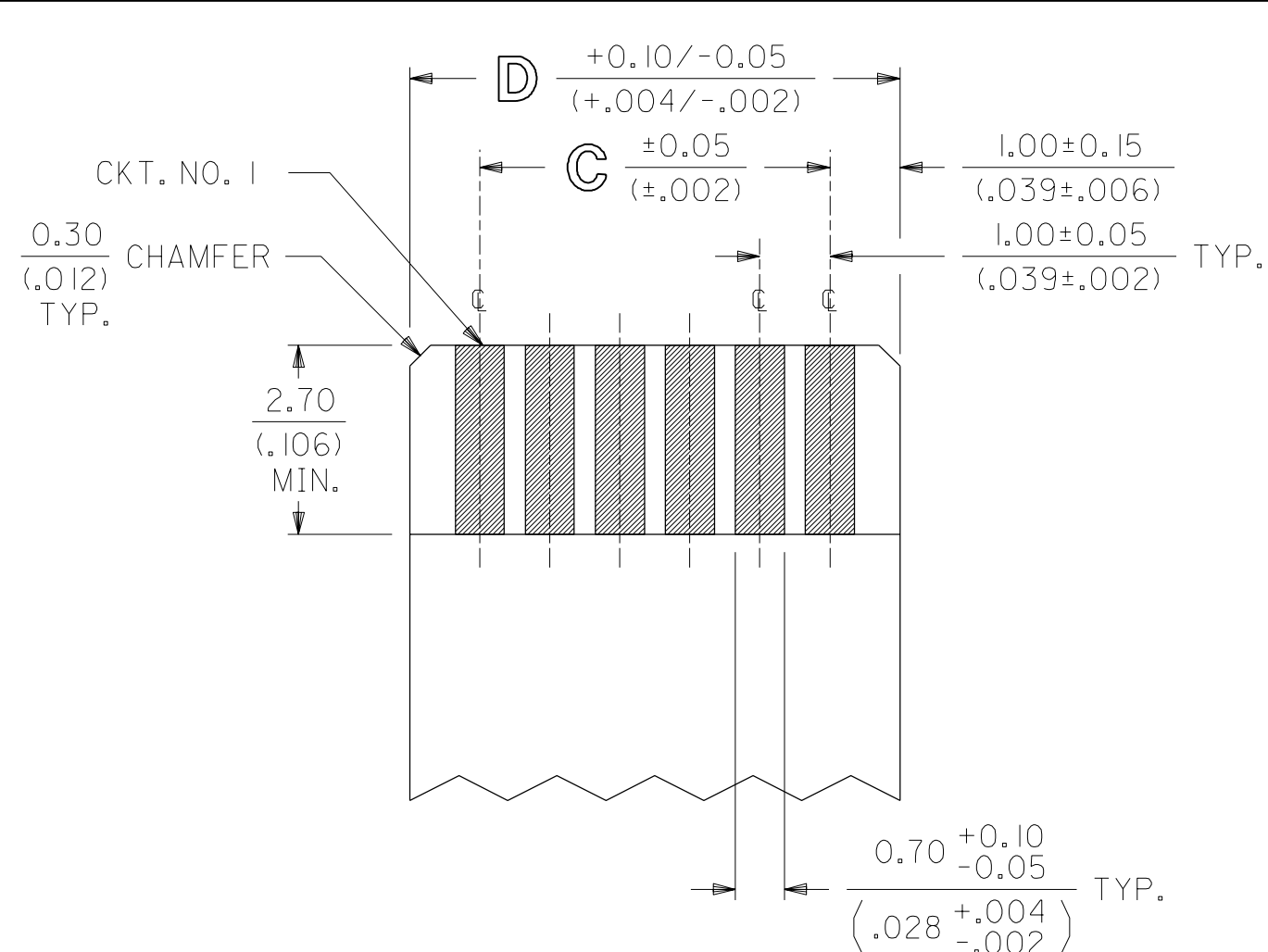
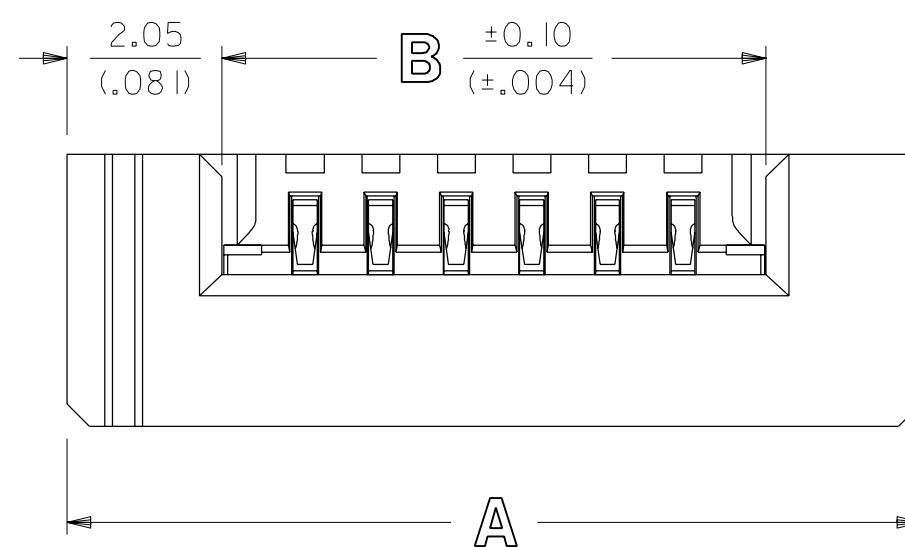
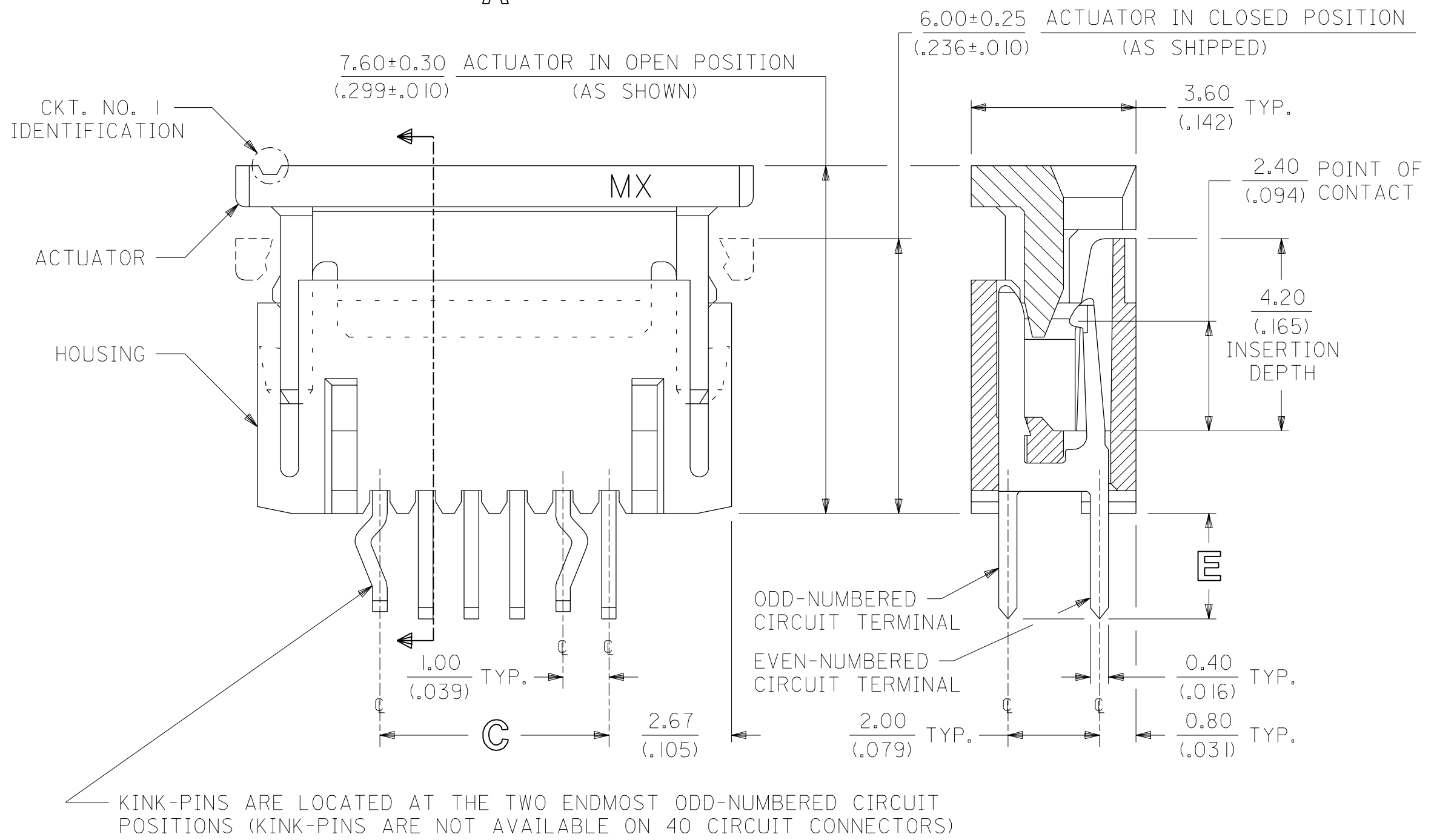


NOTES:

- 1) CONNECTOR MATERIALS:  
HOUSING IS MADE OF NYLON (SEE CHART ON SHEET 2 FOR COLOR) AND ACTUATOR IS MADE OF LCP [LIQUID CRYSTAL POLYMER] (COLOR IS BLUE), BOTH ARE GLASS-FILLED AND RATED U.L. 94V-0; TERMINALS ARE 0.32/(.013) THICK PHOSPHOR BRONZE.
- 2) TERMINAL FINISH:  
5.0 MICROMETERS/200 MICROINCHES MINIMUM TIN OVER 1.3 MICROMETERS/ 50 MICROINCHES MINIMUM NICKEL UNDERPLATE OVERALL.
- 3) THIS CONNECTOR CONFORMS TO PRODUCT SPECIFICATION PS-71226.
- 4) SEE SHEET 2 FOR CONNECTOR PART NUMBERS, PACKAGING OPTIONS, AND DIMENSIONS NOT SHOWN BELOW.

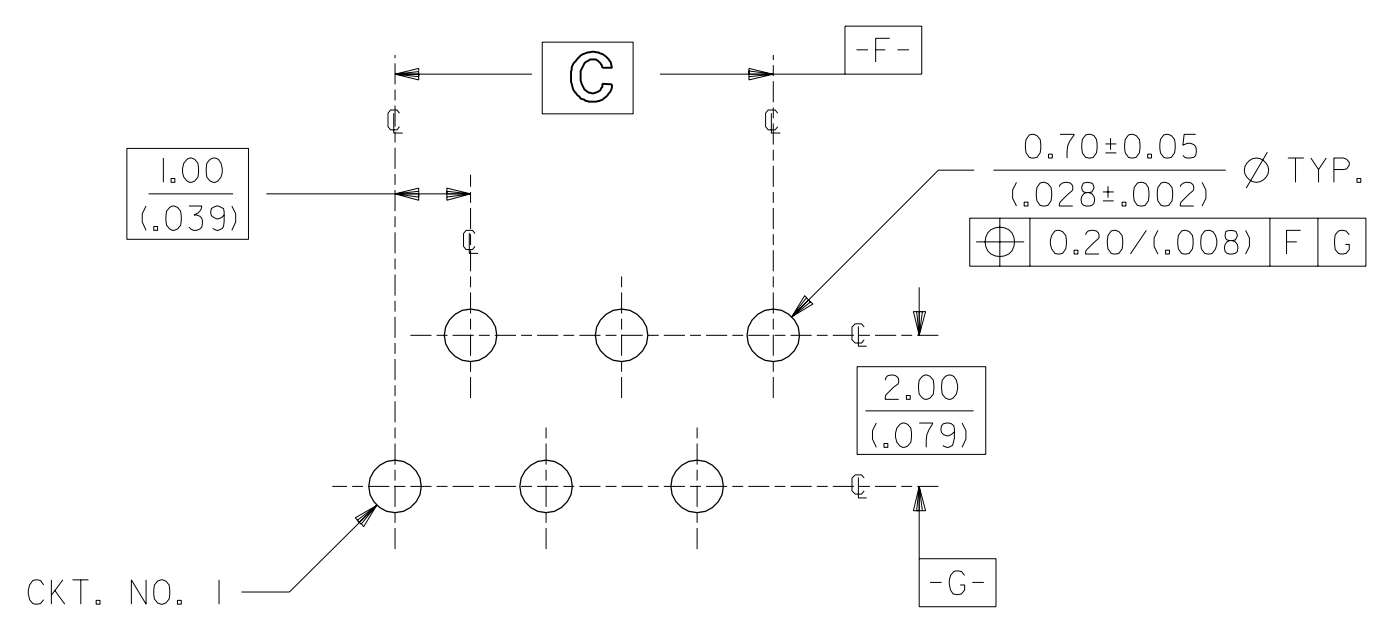


**RECOMMENDED FFC DIMENSIONS**  
FINISHED THICKNESS = 0.30±0.05/(.012±.002)



KINK-PINS ARE LOCATED AT THE TWO ENDMOST ODD-NUMBERED CIRCUIT POSITIONS (KINK-PINS ARE NOT AVAILABLE ON 40 CIRCUIT CONNECTORS)

NOTE FOR LEAD FREE CONVERSION:  
THE PRIMARY SHIPPING CARTON WILL BE LABELED "COMPLIANT TO RoHS DIRECTIVE 2002/95/EC AND ELV ANNEX II OF DIRECTIVE 2000/53/EC". CARTONS WITHOUT THIS LABEL MAY CONTAIN PRODUCT WITH LEAD.



**RECOMMENDED PC BOARD LAYOUT**  
COMPONENT SIDE IS SHOWN

DIMENSIONS SHOWN METRIC/(INCHES)

F		DELETE TUBE PKG UCP2003-1972 RWHITE 03/03/17	C2	ADD CKT. NO. 1 ECN #UDT1999-0014 07/08/98 LMCGRATH	UNLESS OTHERWISE SPECIFIED TOLERANCES: ANGULAR ± 1/2° 3 PLACE ± .005 2 PLACE ± — ± 0.13 1 PLACE — ± — DRAFT WHERE APPLICABLE MUST REMAIN WITHIN DIMENSIONS	▽ = 0 ▼ = 0 REVISE ONLY ON CAD SYSTEM	TITLE 1.00mm/(.039) PITCH, ZIF, FFC CONNECTOR	
E		MOD HSG GEOMETRY ECN# UDT1999-1104 DMORGAN 99/07/09	C1	ADD PKG SPEC ECN #UDT1998-0299 05/26/98 LMCGRATH			MOLEX INCORPORATED SHEET NO. DATE LITSL.E,ILL. 60532 U.S.A. 1 OF 2 12/16/92	
G		LEAD FREE CONV ECN UCP2004-2092 RKADAMS 04/04/22	D	ADD P/N -2675 ECN #UDT1999-0824 DMORGAN 99/04/06	C	ADDED TOL. & BASIC BOXES PER EC # U81224 J. LONG 97/11/20	PART NO. DRWG. NO. SEE SHEET 2 SD-71226-***5	
LTR.	REVISIONS	LTR.	REVISIONS	LTR.	REVISIONS	APP'D. BY: CAB	CHK'D. BY: CAB	SCALE: 10 : 1

2	F
1	G
MFG. SH.	REV.

CKT SIZE	ITEM NUMBER	HOUSING COLOR	X=NOT TOOLED	DIM A	DIM B	DIM C	DIM D	DIM E
4	71226-0425	NATURAL		9.30/(.366)	5.20/(.205)	3.00/(.118)	5.00/(.197)	2.25±0.20 (.089±.008)
6	71226-0625	NATURAL		11.30/(.445)	7.20/(.283)	5.00/(.197)	7.00/(.276)	
8	71226-0825	NATURAL		13.30/(.524)	9.20/(.362)	7.00/(.276)	9.00/(.354)	
10	71226-1025	NATURAL		15.30/(.602)	11.20/(.441)	9.00/(.354)	11.00/(.433)	
12	71226-1225	NATURAL		17.30/(.681)	13.20/(.520)	11.00/(.433)	13.00/(.512)	
14	71226-1425	NATURAL		19.30/(.760)	15.20/(.598)	13.00/(.512)	15.00/(.591)	
16	71226-1625	NATURAL		21.30/(.839)	17.20/(.677)	15.00/(.591)	17.00/(.669)	
18	71226-1825	NATURAL		23.30/(.917)	19.20/(.756)	17.00/(.669)	19.00/(.748)	
20	71226-2025	NATURAL		25.30/(.996)	21.20/(.835)	19.00/(.748)	21.00/(.827)	
22	71226-2225	NATURAL		27.30/(1.075)	23.20/(.913)	21.00/(.827)	23.00/(.906)	
24	71226-2425	NATURAL		29.30/(1.154)	25.20/(.992)	23.00/(.906)	25.00/(.984)	
26	71226-2625	NATURAL		31.30/(1.232)	27.20/(1.071)	25.00/(.984)	27.00/(1.063)	
28	71226-2825	NATURAL		33.30/(1.311)	29.20/(1.150)	27.00/(1.063)	29.00/(1.142)	
30	71226-3025	NATURAL		35.30/(1.390)	31.20/(1.228)	29.00/(1.142)	31.00/(1.220)	
40	71226-4025	NATURAL	X	45.30/(1.783)	41.20/(1.622)	39.00/(1.536)	41.00/(1.614)	
4	71226-0435	NATURAL		9.30/(.366)	5.20/(.205)	3.00/(.118)	5.00/(.197)	
6	71226-0635	NATURAL		11.30/(.445)	7.20/(.283)	5.00/(.197)	7.00/(.276)	
8	71226-0835	NATURAL		13.30/(.524)	9.20/(.362)	7.00/(.276)	9.00/(.354)	
10	71226-1035	NATURAL		15.30/(.602)	11.20/(.441)	9.00/(.354)	11.00/(.433)	
12	71226-1235	NATURAL		17.30/(.681)	13.20/(.520)	11.00/(.433)	13.00/(.512)	
14	71226-1435	NATURAL		19.30/(.760)	15.20/(.598)	13.00/(.512)	15.00/(.591)	
16	71226-1635	NATURAL		21.30/(.839)	17.20/(.677)	15.00/(.591)	17.00/(.669)	
18	71226-1835	NATURAL		23.30/(.917)	19.20/(.756)	17.00/(.669)	19.00/(.748)	
20	71226-2035	NATURAL		25.30/(.996)	21.20/(.835)	19.00/(.748)	21.00/(.827)	
22	71226-2235	NATURAL		27.30/(1.075)	23.20/(.913)	21.00/(.827)	23.00/(.906)	
24	71226-2435	NATURAL		29.30/(1.154)	25.20/(.992)	23.00/(.906)	25.00/(.984)	
26	71226-2635	NATURAL		31.30/(1.232)	27.20/(1.071)	25.00/(.984)	27.00/(1.063)	
28	71226-2835	NATURAL		33.30/(1.311)	29.20/(1.150)	27.00/(1.063)	29.00/(1.142)	
30	71226-3035	NATURAL		35.30/(1.390)	31.20/(1.228)	29.00/(1.142)	31.00/(1.220)	
40	71226-4035	NATURAL	X	45.30/(1.783)	41.20/(1.622)	39.00/(1.536)	41.00/(1.614)	
26	71226-2675	NATURAL		31.30/(1.232)	27.20/(1.071)	25.00/(.984)	27.00/(1.063)	
							2.77±0.20 (.109±.008)	

