

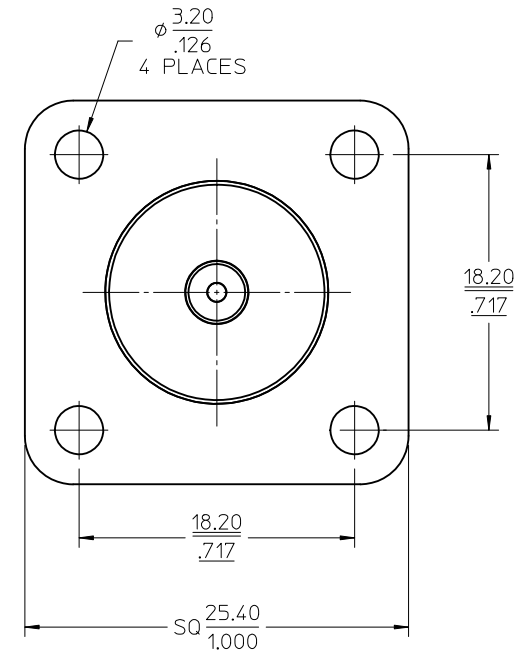
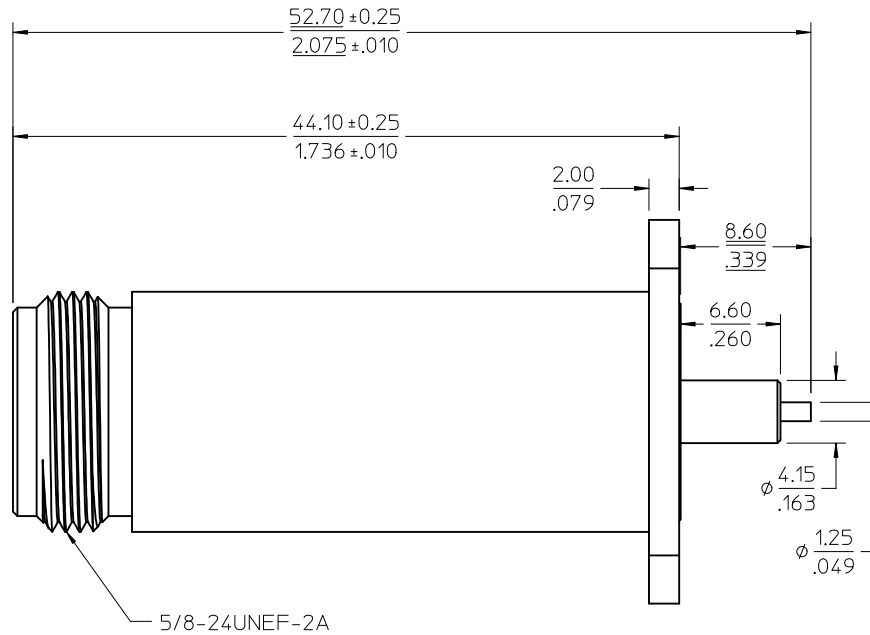
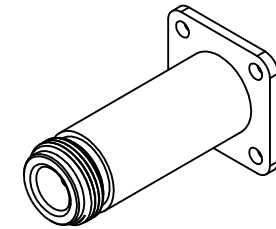
MATERIAL & FINISHES

BODY: BRASS
PLATED NICKEL

FLANGE: BRASS
PLATED NICKEL

CENTER CONTACT: PHOSPHOR BRONZE
PLATED GOLD

INSULATOR: TEFLON



PART # 73101-0380

CHG: REDRAWN EC NO: URF2012-0046 DRWN: CWE102 2011/08/16 CHKD: MHWANG APPR: MHWANG 2011/09/05	QUALITY SYMBOLS ▽=0 ▽=0	GENERAL TOLERANCES (UNLESS SPECIFIED)		DIMENSION STYLE MM/IN	SCALE	DESIGN UNITS METRIC	THIRD ANGLE PROJECTION	
		4 PLACES ± --- ± ---	3 PLACES ± --- ± ---	2 PLACES ± --- ± ---	1 PLACE ± --- ± ---	DRAWN BY CWE102	DATE 2011/08/16	TITLE N TYPE, JACK 50 OHMS 4 HOLE FLANGE MOUNT N-J/FLG
		ANGULAR ± 2 °				CHECKED BY KERRIE	DATE 2011/08/16	
		DRAFT WHERE APPLICABLE MUST REMAIN WITHIN DIMENSIONS				APPROVED BY MHWANG	DATE 2011/09/05	
A1	MATERIAL NO. 731010380	DOCUMENT NO. SD-73101-038	SHEET NO. 1 OF 1					

THIS DRAWING CONTAINS INFORMATION THAT IS PROPRIETARY TO MOLEX INCORPORATED AND SHOULD NOT BE USED WITHOUT WRITTEN PERMISSION