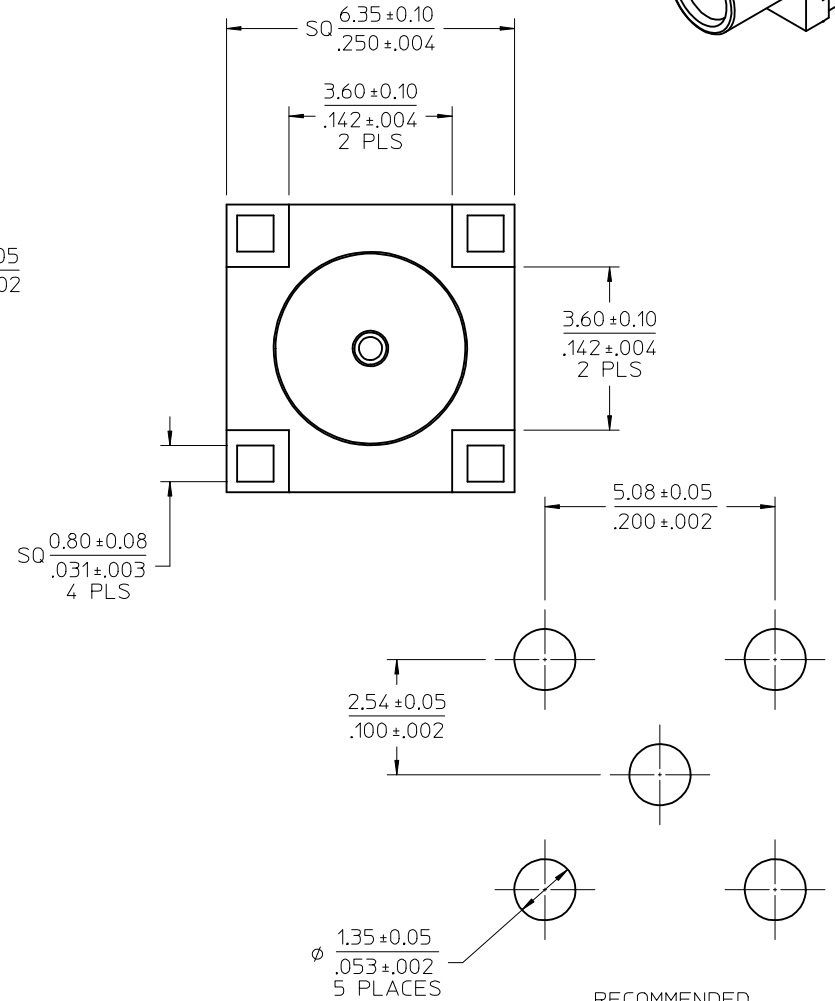
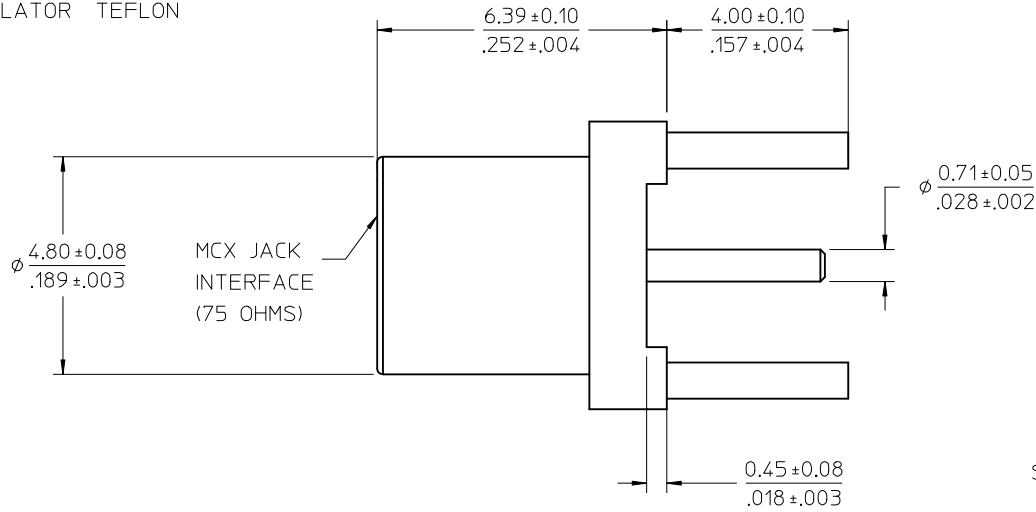
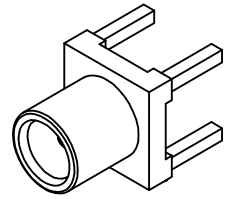


MATERIALS AND FINISHES

BODY BRASS
PLATED NICKEL

CENTER CONTACT BERYLLIUM COPPER
PLATED GOLD

INSULATOR TEFLON



PART # 73415-5940

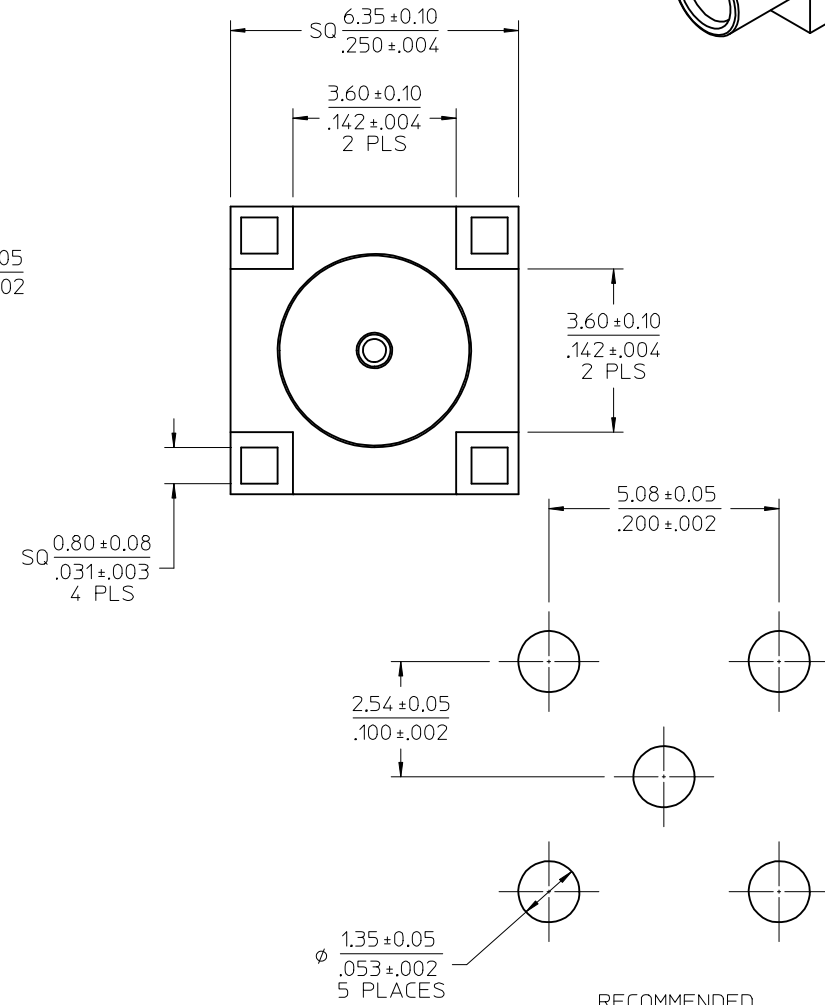
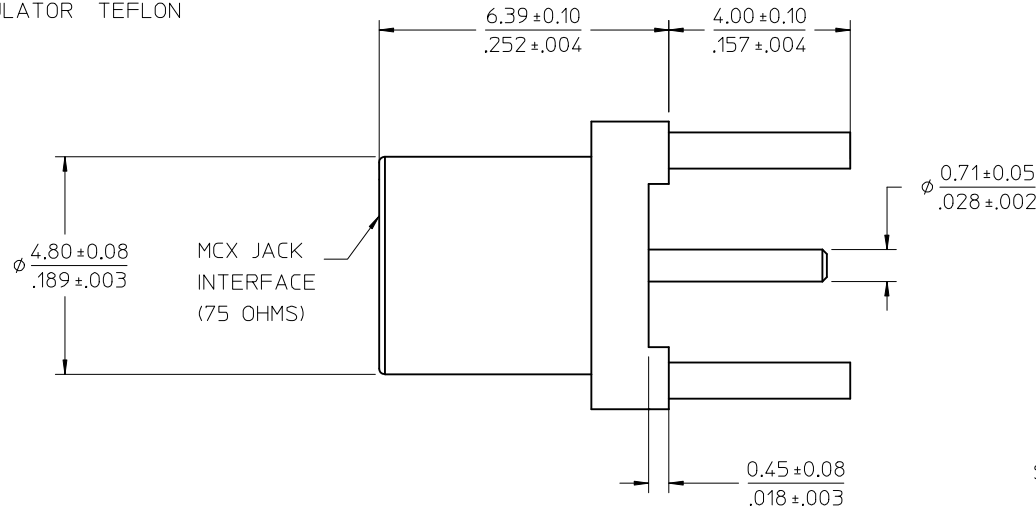
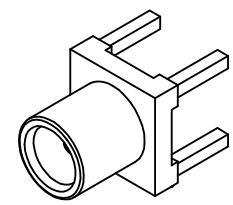
ADDED TOLERANCE PER RF15-E069 EC NO: URF2015-0233 DRWNLIN 2014/11/14 CHKD: APPR: YCHENG 2014/11/17	QUALITY SYMBOLS ▼=0 ▽=0	GENERAL TOLERANCES (UNLESS SPECIFIED) <table border="1"> <thead> <tr> <th></th> <th>mm</th> <th>INCH</th> </tr> </thead> <tbody> <tr> <td>4 PLACES</td> <td>± .004</td> <td>± .0001</td> </tr> <tr> <td>3 PLACES</td> <td>± .005</td> <td>± .0002</td> </tr> <tr> <td>2 PLACES</td> <td>± .007</td> <td>± .0003</td> </tr> <tr> <td>1 PLACE</td> <td>± .010</td> <td>± .0005</td> </tr> </tbody> </table> ANGULAR ± 2°		mm	INCH	4 PLACES	± .004	± .0001	3 PLACES	± .005	± .0002	2 PLACES	± .007	± .0003	1 PLACE	± .010	± .0005	DIMENSION STYLE MM/IN	SCALE DESIGN UNITS METRIC	THIRD ANGLE PROJECTION
		mm	INCH																	
	4 PLACES	± .004	± .0001																	
	3 PLACES	± .005	± .0002																	
2 PLACES	± .007	± .0003																		
1 PLACE	± .010	± .0005																		
DRAWN BY JM	DATE 2006/06/26	CHECKED BY JM	DATE 2006/06/26	TITLE MCX JACK, PCB VERTICAL, 75 OHMS EWR-3135, MCX-J/PCB																
APPROVED BY JDW	DATE 2006/06/26	MATERIAL NO. 734155940		MOLEX INCORPORATED																
REV A1	DESCRIPTION	DRAFT WHERE APPLICABLE MUST REMAIN WITHIN DIMENSIONS	SIZE C	DOCUMENT NO. SD-73415-594	SHEET NO. 1 OF 1															

MATERIALS AND FINISHES

BODY BRASS
PLATED NICKEL

CENTER CONTACT BERYLLIUM COPPER
PLATED GOLD

INSULATOR TEFLON



PART # 73415-5940

ADDED TOLERANCE PER RF15-E069	EC NO: URF2015-0233 DRWNLIN 2014/11/14 CHKD: APPR: YCHENG 2014/11/17	QUALITY SYMBOLS ▽=0 ▽=0	GENERAL TOLERANCES (UNLESS SPECIFIED)		DIMENSION STYLE MM/IN		SCALE	DESIGN UNITS METRIC	THIRD ANGLE PROJECTION			
			ANGULAR $\pm 2^\circ$		DRAWN BY JM		DATE 2006/06/26		TITLE MCX JACK, PCB VERTICAL, 75 OHMS EWR-3135, MCX-J/PCB			
			DRAFT WHERE APPLICABLE MUST REMAIN WITHIN DIMENSIONS		CHECKED BY JM		DATE 2006/06/26		MOLEX MOLEX INCORPORATED			
					APPROVED BY JDW		DATE 2006/06/26		DOCUMENT NO. SD-73415-594			
					MATERIAL NO. 734155940		DOCUMENT NO.		SHEET NO. 1 OF 1			
					SIZE C		THIS DRAWING CONTAINS INFORMATION THAT IS PROPRIETARY TO MOLEX INCORPORATED AND SHOULD NOT BE USED WITHOUT WRITTEN PERMISSION					