

| MATERIAL NUMBER | # OF COLUMNS | # OF DIFF PAIR | DIM "A" MAX | DIM "B" | PTH $\varnothing$ |
|-----------------|--------------|----------------|-------------|---------|-------------------|
| 76500-*8**      | 8            | 32             | 22.80       | 13.30   | 0.46±0.05         |
| 76500-*1**      | 10           | 40             | 26.60       | 17.10   | 0.46±0.05         |
| 76500-*6**      | 16           | 64             | 38.00       | 28.50   | 0.46±0.05         |
| 76500-*8**      | 8            | 32             | 22.80       | 13.30   | 0.39±0.05         |
| 76500-*1**      | 10           | 40             | 26.60       | 17.10   | 0.39±0.05         |
| 76500-*6**      | 16           | 64             | 38.00       | 28.50   | 0.39±0.05         |

76500-\*\*\*\*

MODULE TYPE  
 5 = RIGHT GUIDED, LEAD-FREE  
 9 = RIGHT GUIDED, LEAD-FREE W/ ENDWALL

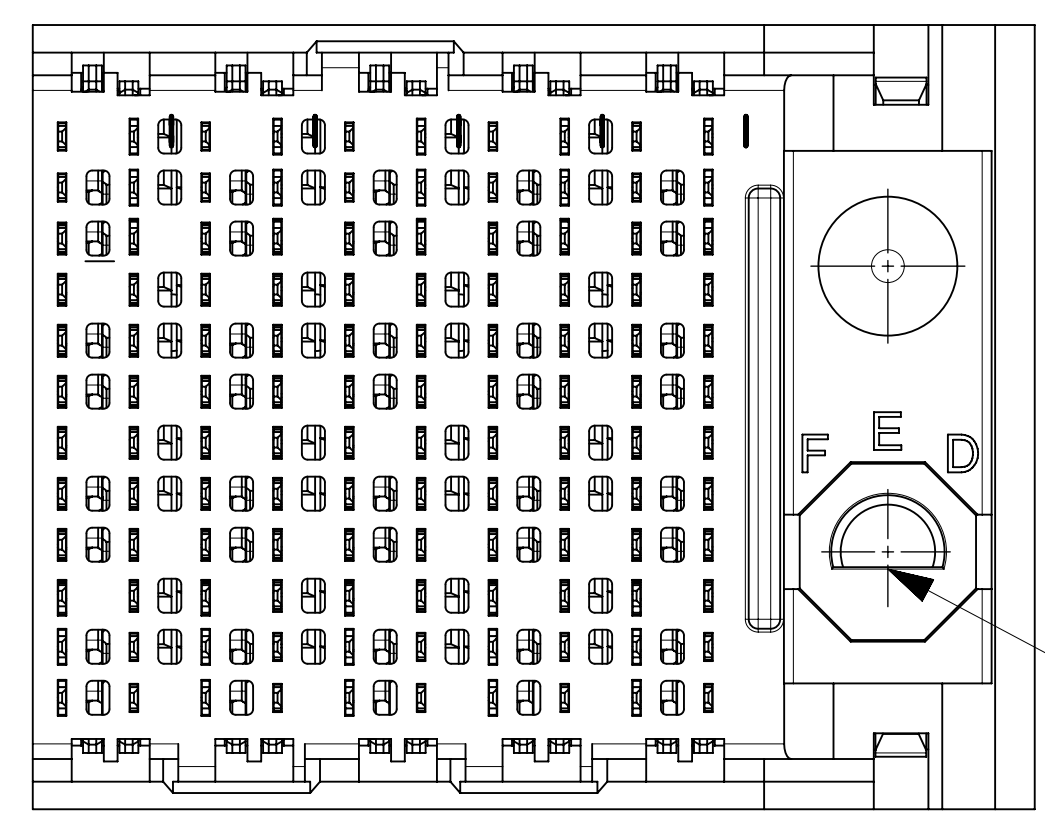
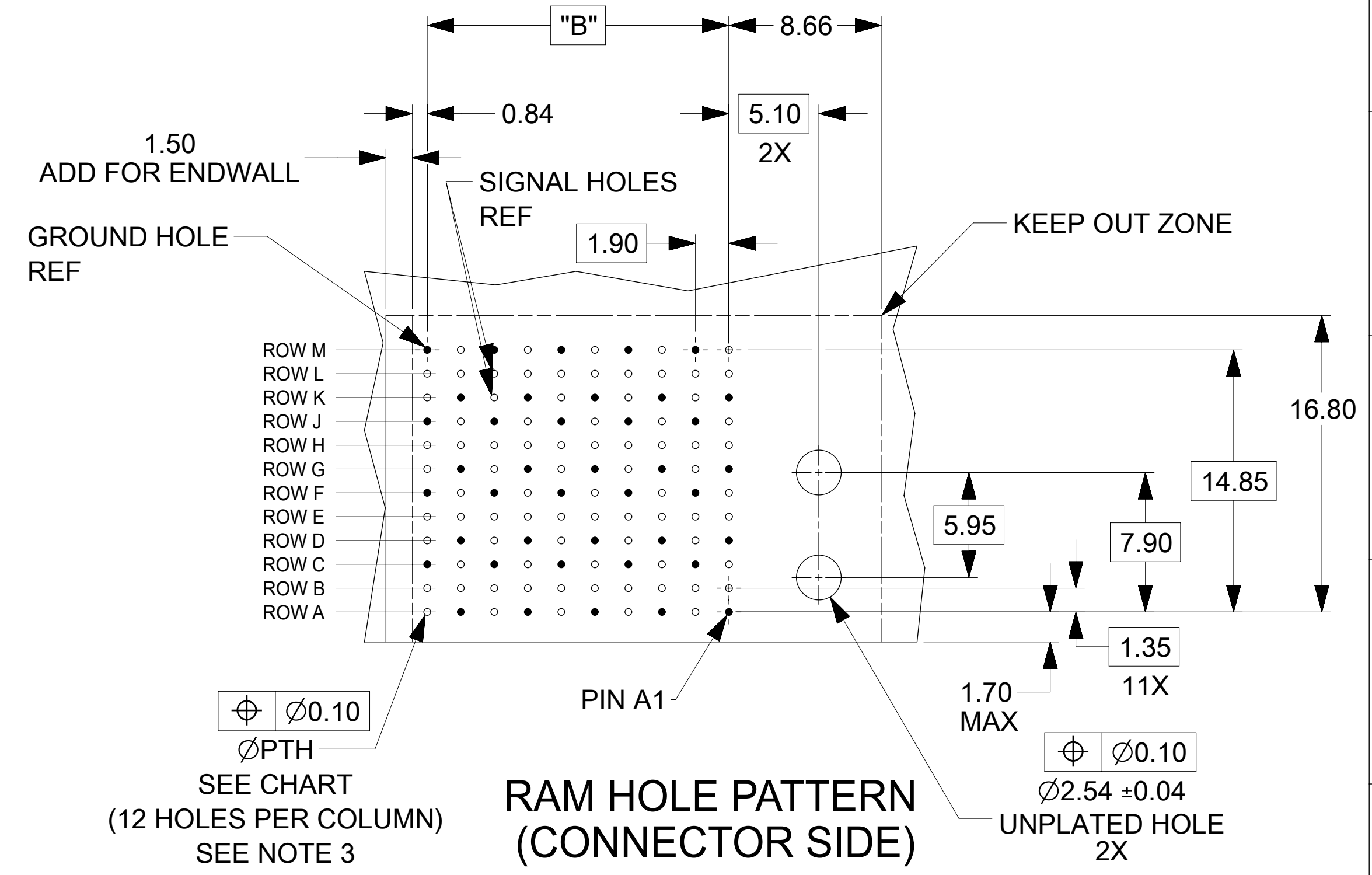
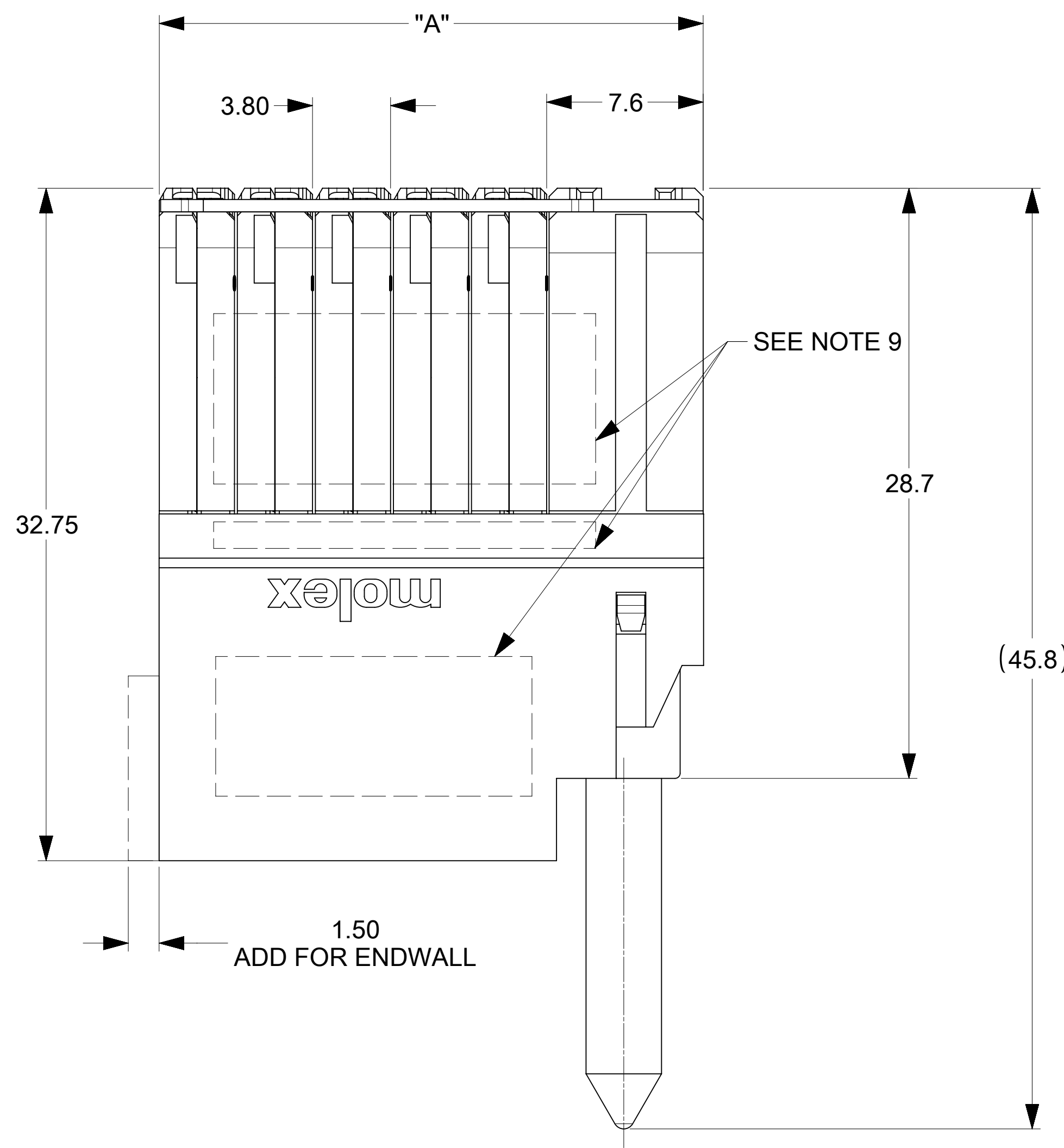
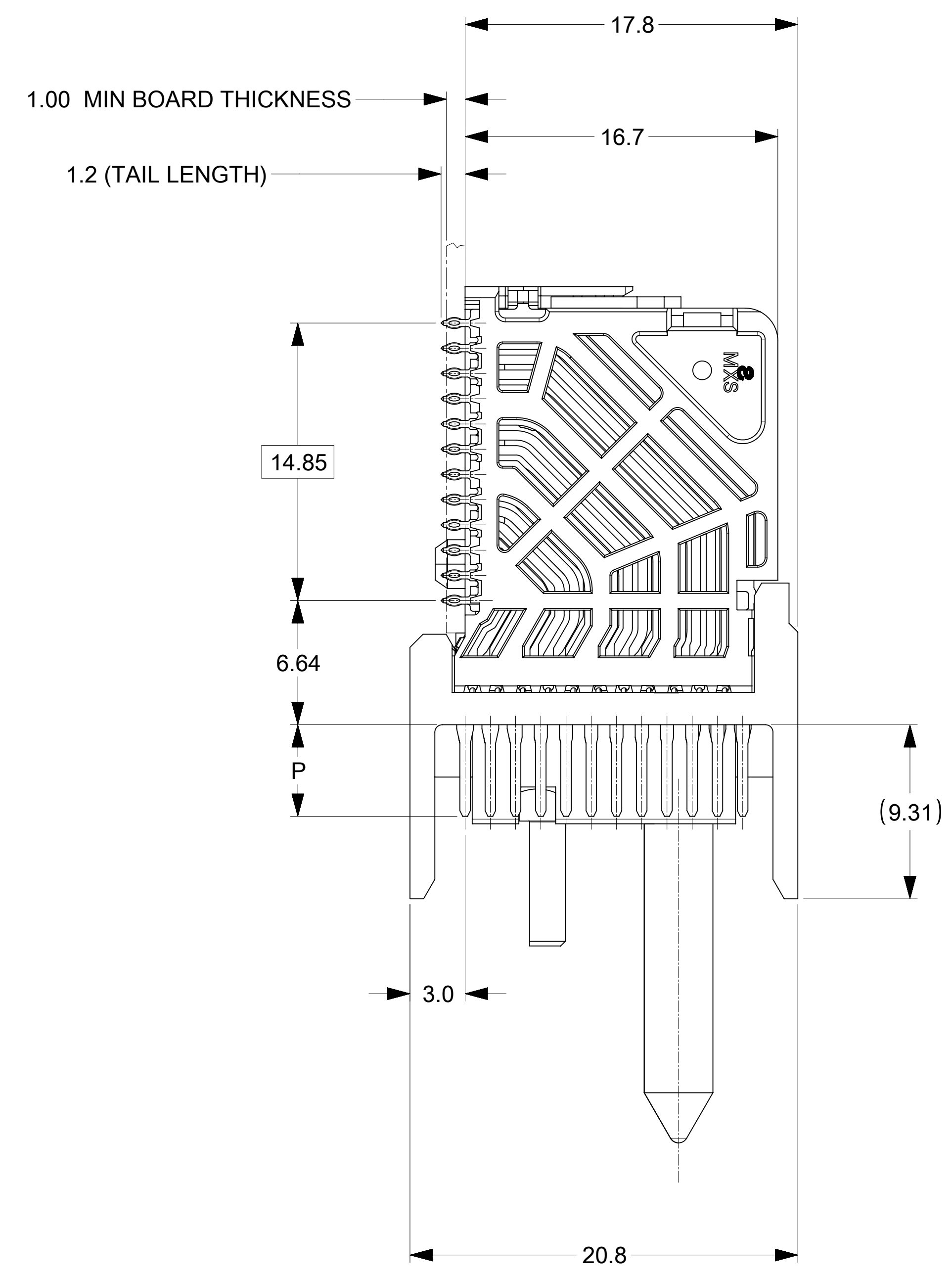
PIN LENGTH (P)  
 4 = 4.90 (0.46 PTH)  
 5 = 5.50 (0.46 PTH)  
 7 = 4.90 (0.39 PTH)  
 8 = 5.50 (0.39 PTH)

# OF COLUMNS  
 1 = 10 COLUMNS  
 6 = 16 COLUMNS  
 8 = 8 COLUMNS

KEY ORIENTATION  
 0 = NO KEY  
 1 = A 5 = E  
 2 = B 6 = F  
 3 = C 7 = G  
 4 = D 8 = H

NOTES:

- MATERIALS: HOUSING - LIQUID CRYSTAL POLYMER (LCP), GLASS-FILLED, UL94V-0  
 TERMINALS - HIGH PERFORMANCE COPPER ALLOY
- FINISH: 30 $\mu$ m SELECTIVE GOLD IN CONTACT AREA, SELECTIVE TIN ON PCB TAILS, NICKEL OVERALL.
- REFER TO MOLEX PRODUCT SPECIFICATION PS-76060-999 FOR PERFORMANCE SPECIFICATIONS AND ADDITIONAL PCB INFORMATION.
- EACH SIGNAL WAFER CONTAINS 2 COLUMNS OF TERMINALS.
- PRODUCT IS PACKAGED PER PK-70873-041.
- THIS PART CONFORMS TO CLASS B REQUIREMENTS OF COSMETIC SPEC PS-45499-002.7. REFER TO MOLEX SALES DRAWING SD-76160-002 FOR THE MATING RECEPTACLES.
- REFER TO MOLEX PCB ROUTING GUIDE AS-76060-990 FOR ANTIPAD AND ROUTING RECOMMENDATIONS.
- WHEN USING MOLEX SUPPLIED #2-32 SCREW 73726-0000 (9.50mm ±0.38 THREADABLE SCREW LENGTH), THE MAXIMUM BOARD THICKNESS IS 4.4mm.
- GUIDE RIGHT RAM MATES WITH A GUIDE LEFT DAUGHTERCARD.
- MARKING: LOCATED APPROXIMATELY AS SHOWN. PART NUMBER AND DATE CODE.



KEY SHOWN IN POSITION A

THIS DRAWING CONTAINS INFORMATION THAT IS PROPRIETARY TO MOLEX ELECTRONIC TECHNOLOGIES, LLC AND SHOULD NOT BE USED WITHOUT WRITTEN PERMISSION

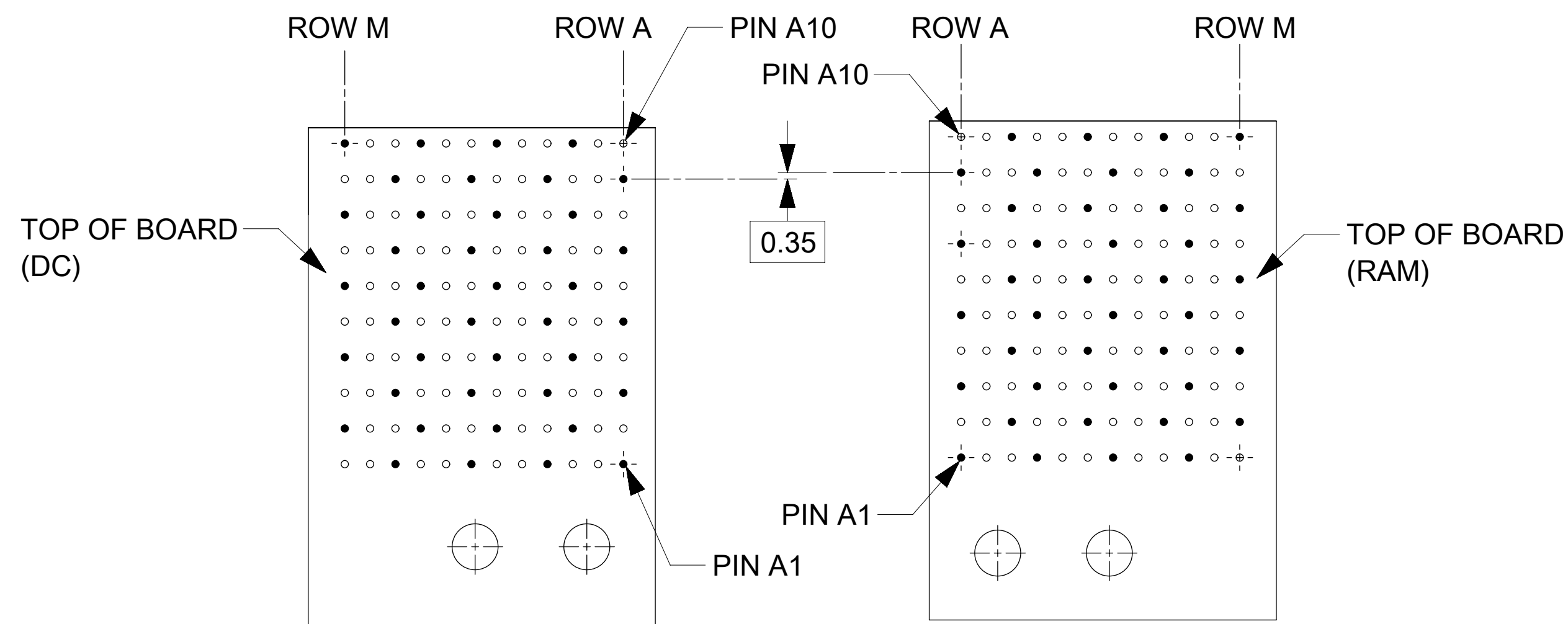
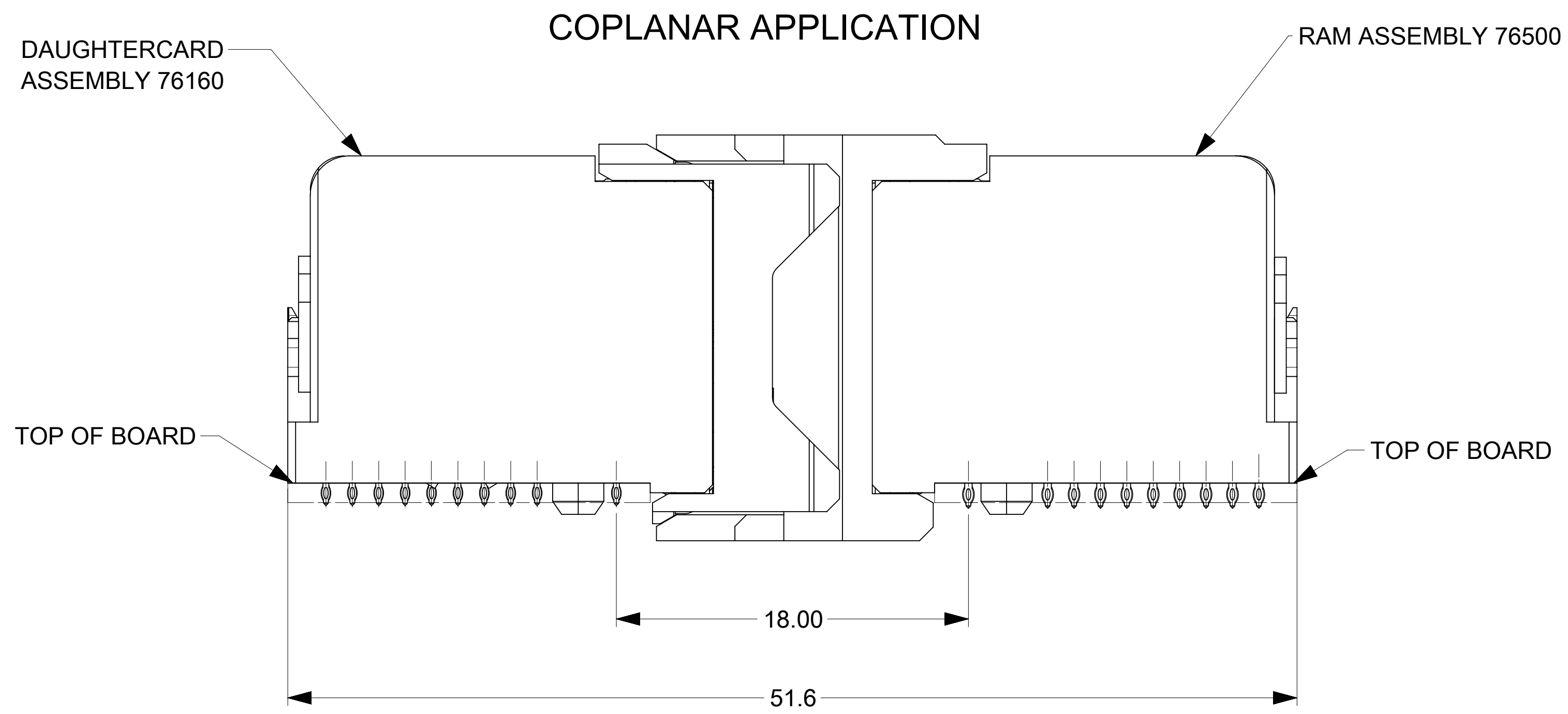
|  |                        |                                    |                          |
|--|------------------------|------------------------------------|--------------------------|
| DIMENSION UNITS: mm                                  | SCALE: NTS             | CURRENT REV DESC: REMASTERED TO NX |                          |
| GENERAL TOLERANCES (UNLESS SPECIFIED)                |                        | EC NO: 705090                      |                          |
| ANGULAR TOL: ± 0.5°                                  |                        | DRWN: DYARAS                       | 2021/12/13               |
| 4 PLACES: ±  |                        | CHK'D: YOGEEB                      | 2022/02/17               |
| 3 PLACES: ±  |                        | APPR: LZENG                        | 2022/05/13               |
| 2 PLACES: ± 0.13                                     |                        | INITIAL REVISION:                  |                          |
| 1 PLACE: ± 0.25                                      |                        | DRWN: JQUILES                      | 2009/01/12               |
| 0 PLACES: ±  |                        | APPR: JLAURX                       | 2009/01/13               |
| DRAFT WHERE APPLICABLE MUST REMAIN WITHIN DIMENSIONS | THIRD ANGLE PROJECTION | DRAWING: D-SIZE                    | SHEET NUMBER: 1 OF 2     |
|  |                        | SERIES: 76500                      |                          |
|  |                        | MATERIAL NUMBER: SEE TABLE         | CUSTOMER: GENERAL MARKET |

**molex**

IMPACT 4 PAIR RAM  
 GUIDE RIGHT SIGNAL MODULE SALES DWG

PRODUCT CUSTOMER DRAWING

DOCUMENT NUMBER: SD-76500-004  
 DOC TYPE: PSD  
 DOC PART: 001  
 REVISION: F4



**COPLANAR MATED SIGNAL PATHS**

DC PIN A10-----RAM PIN A10

|

|

DC PIN A1-----RAM PIN A1

|   |  |                |  |   |  |            |  |              |  |
|---|--|----------------|--|---|--|------------|--|--------------|--|
| THIS DRAWING CONTAINS INFORMATION THAT IS PROPRIETARY TO MOLEX ELECTRONIC TECHNOLOGIES, LLC AND SHOULD NOT BE USED WITHOUT WRITTEN PERMISSION |  |                |  |   |  |            |  |              |  |
| DIMENSION UNITS   |  | SCALE          |  | CURRENT REV DESC: REMASTERED TO NX  |  |            |  |              |  |
| mm  |  | NTS            |  | <div style="text-align: center; font-size: 24pt; font-weight: bold;">molex</div> <p style="text-align: center;">IMPACT 4 PAIR RAM<br/>GUIDE RIGHT SIGNAL MODULE SALES DWG</p> <p style="text-align: center;">PRODUCT CUSTOMER DRAWING</p> |  |            |  |              |  |
| GENERAL TOLERANCES (UNLESS SPECIFIED)   |  |                |  |   |  |            |  |              |  |
| ANGULAR TOL   |  | ± 0.5°         |  |   |  |            |  |              |  |
| 4 PLACES  |  | ±              |  |   |  |            |  |              |  |
| 3 PLACES  |  | ±              |  |   |  |            |  |              |  |
| 2 PLACES  |  | ± 0.13         |  |   |  |            |  |              |  |
| 1 PLACE   |  | ± 0.25         |  | EC NO: 705090   |  | 2021/12/13 |  |              |  |
| 0 PLACES  |  | ±              |  | DRWN: DYARAS  |  | 2022/02/17 |  |              |  |
| DRAFT WHERE APPLICABLE MUST REMAIN WITHIN DIMENSIONS  |  |                |  | THIRD ANGLE PROJECTION  |  | DRAWING    |  | SERIES       |  |
| D-DRAWING   |  | 76500          |  | MATERIAL NUMBER   |  | CUSTOMER   |  | SHEET NUMBER |  |
| SEE TABLE   |  | GENERAL MARKET |  | SD-76500-004  |  | PSD 001 F4 |  | 2 OF 2       |  |