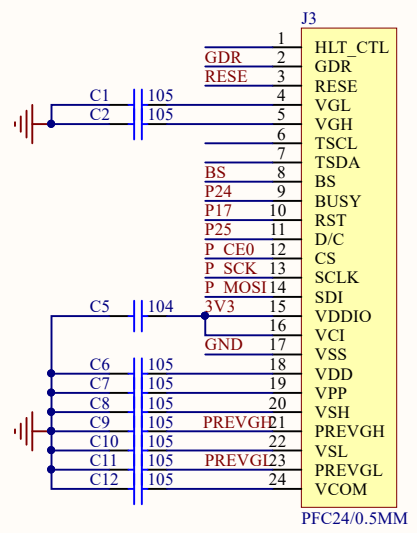
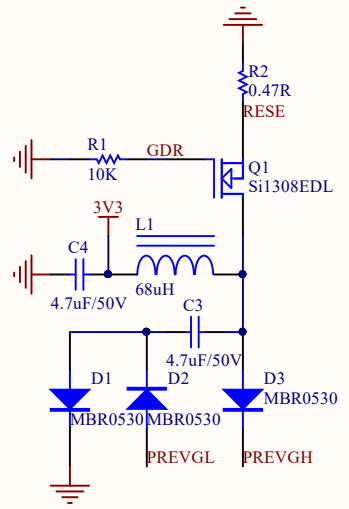
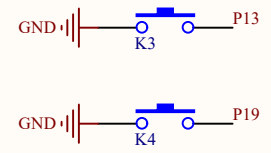
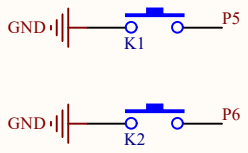
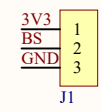




2.7inch e-Paper HAT

	VCC	GND
BS	3-line SPI	4-line SPI



BCM	wPi	P12	RPI 5V	wPi	BCM
2	8	P 3V3	3V3	5V	RPI 5V
3	9	P SDA	SDA1	5V	RPI 5V
4	7	P SCL	SCL1	GND	GND
		P4	GPIO7	TXD	P TX
		GND	GND	RXD	P RX
17	0	P17	GPIO0	GPIO1	P18
27	2	P27	GPIO2	GND	GND
22	3	P22	GPIO3	GPIO4	P23
		P 3V3	3V3	GPIO5	P24
10	12	P MOSI	MOSI	GND	GND
9	13	P MISO	MISO	GPIO6	P25
11	14	P SCK	SCLK	CE0	P CE0
		GND	GND	CE1	P CE1
		ID_SD	SDA0	SCL0	ID_SC
5	21	P5	GPIO21	GND	GND
6	22	P6	GPIO22	GPIO26	P12
13	23	P13	GPIO23	GND	GND
19	24	P19	GPIO24	GPIO27	P16
26	25	P26	GPIO25	GPIO28	P20
		GND	GND	GPIO29	P21

VCC INT RPI 5V

