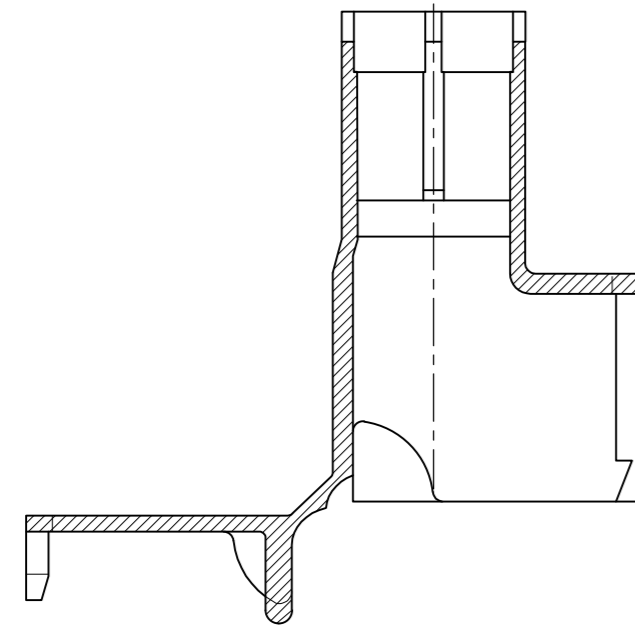
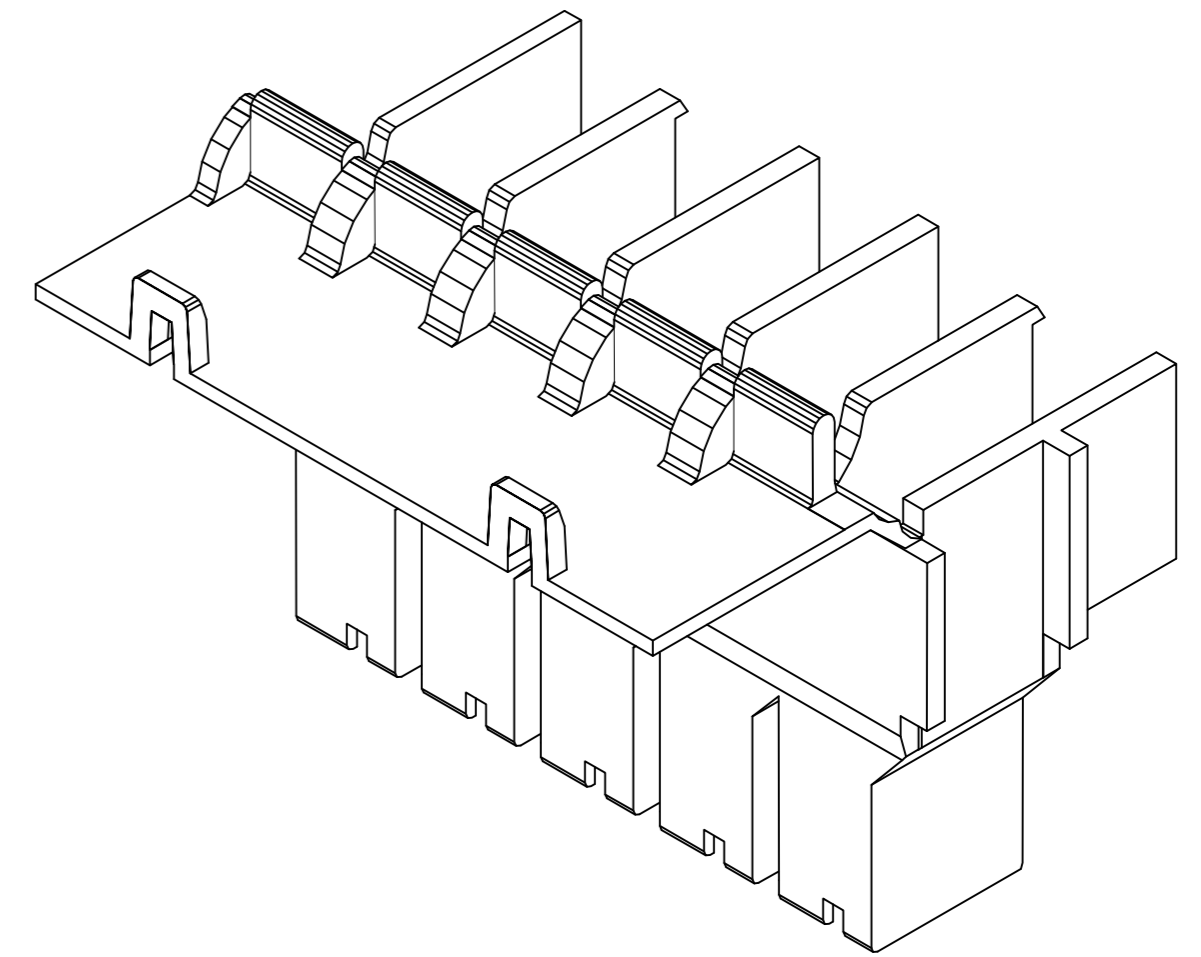
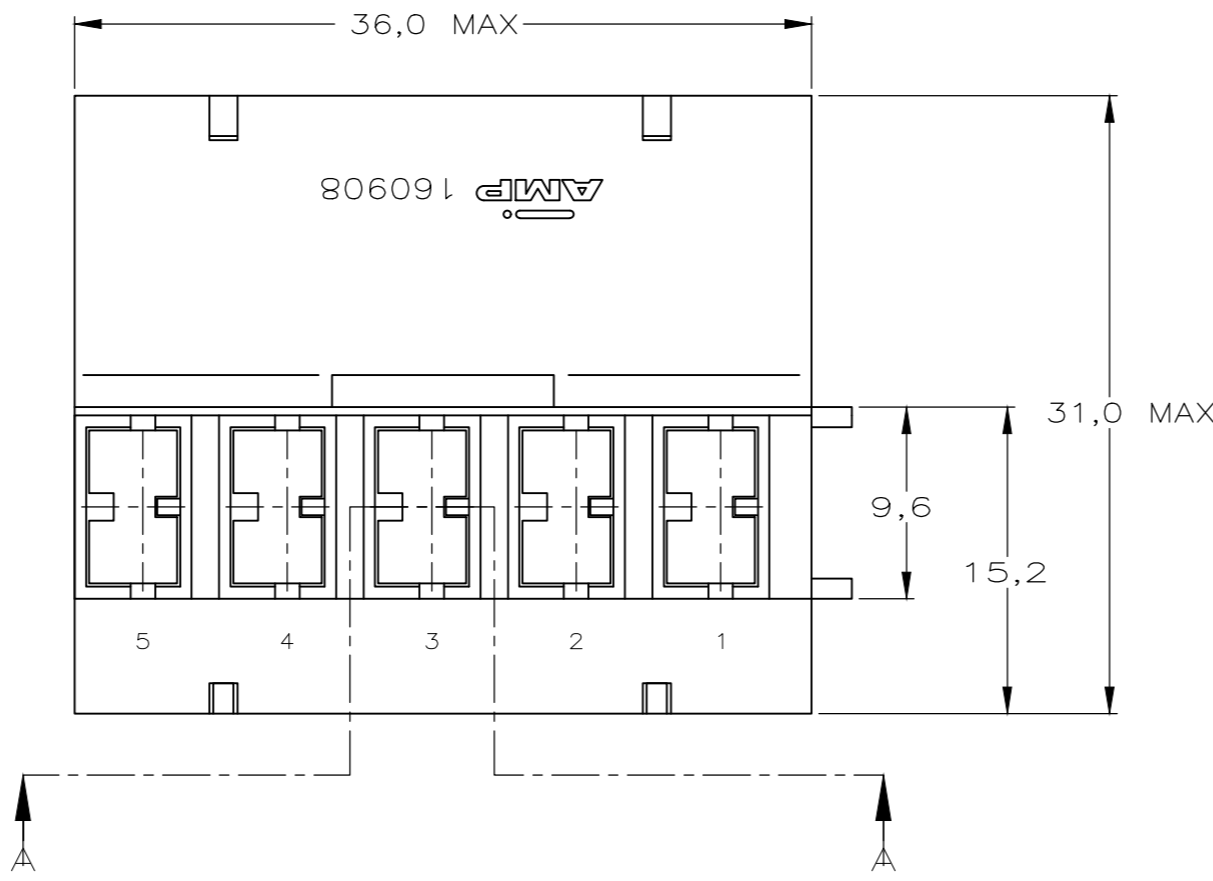
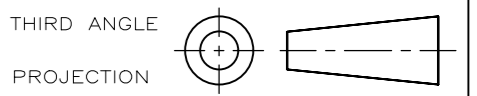
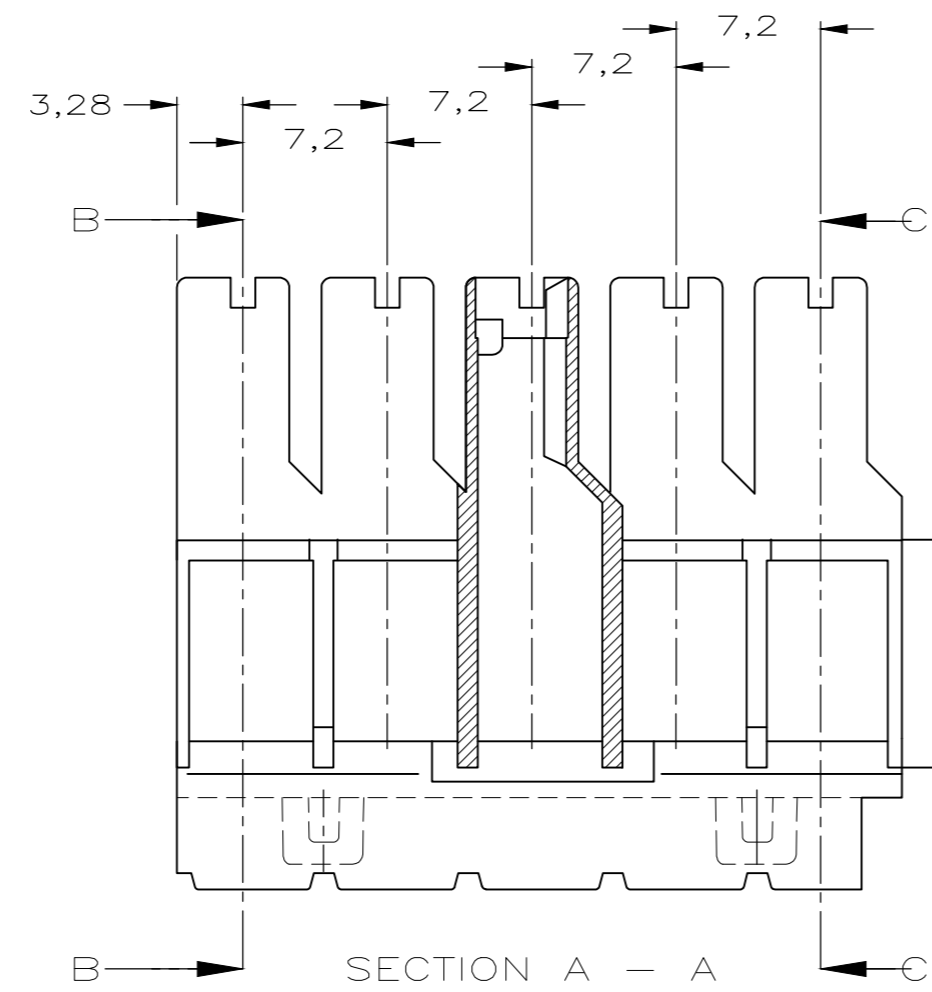


DO NOT SCALE
DIMENSIONS IN mm

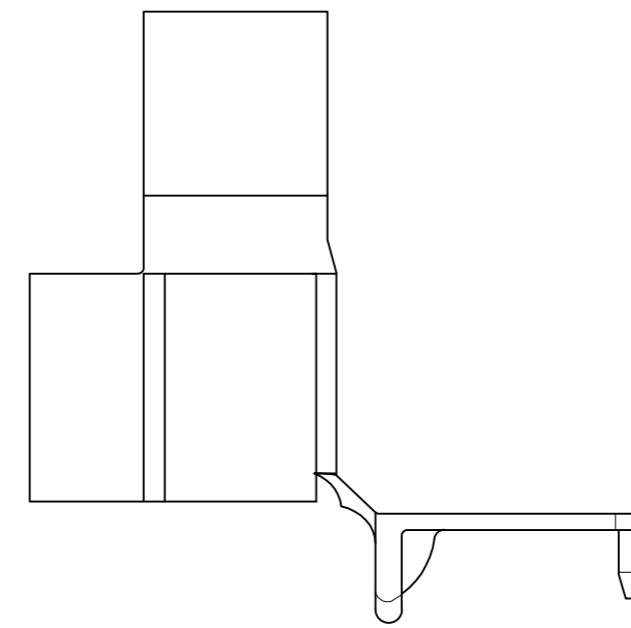
METRIC



SECTION B - B

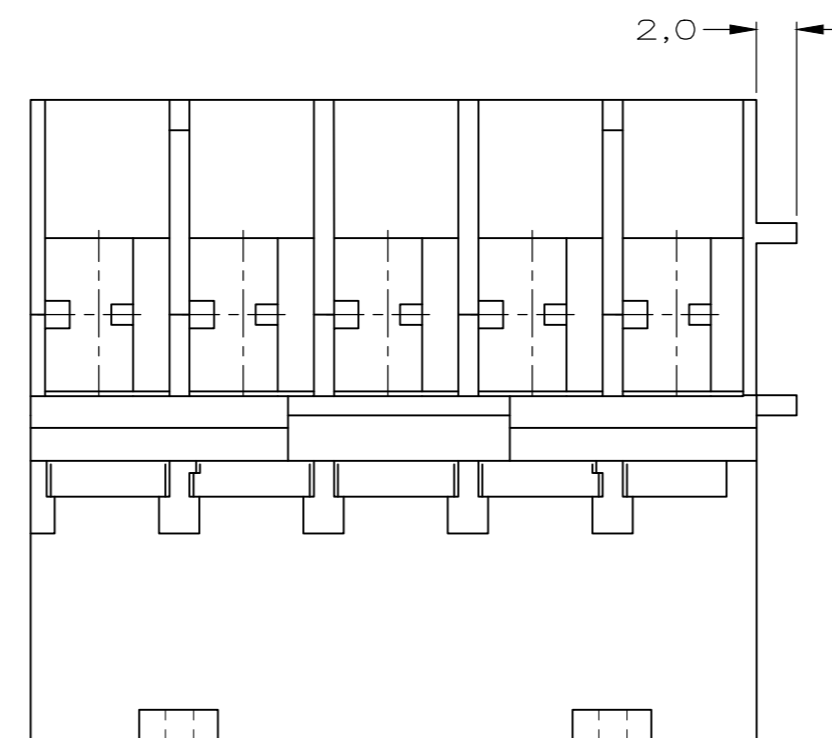


SECTION A - A



SECTION C - C
AS CLOSED

25,5 MAX



OBSOLETE	BLACK	POLYAMIDE	160908-5
	---		160908-4
	---		160908-3
	---		160908-2
OBSOLETE	NATUREL	94V2	160908-1
	COLOR	MATERIAL	PARTNUMBER

CUSTOMER DRAWING

FOR REFERENCE ONLY
WILL NOT BE UPDATED

STE TE Connectivity

THIS DRAWING IS UNPUBLISHED RELEASED FOR PUBLICATION sept, 1987

© COPYRIGHT 1987 BY AMP-HOLLAND B.V.
ALL INTERNATIONAL RIGHTS RESERVED.
AMP PRODUCTS MAY BE COVERED BY U.S. AND FOREIGN PATENTS AND/OR PATENTS PENDING.

DR. R.v.Lokven	DATE 15.07.87	WIRE RANGE -	NAME 5 POS POSITIVE LOCK FLAG HSG WITH SECONDARY LOCKING.	REV. DATE D M Y 07 04 88
CHK. A.B.	DATE 07.09.87	INSUL. RANGE -		
APP. L.v.Soest	DATE 09.09.87	SIZE A2	SHEET 1 OF 1	DWG. No. 160908

REV. LTR.
A2