

Ratings

Voltage: 300 V
 Temperature: -40~105 °C
 Flammability: VW-1

Conductor

Conductor count: 9
 Gauge: 28 AWG 0.1 mm²
 Material: tinned copper strands
 Strand size: $\varnothing 0.08 \times 19$
 Resistance at 20 °C: 239 Ω /km max

Insulator

Material: FEP
 Color: red, black, white, yellow, blue, green, orange, purple, gray
 Diameter: $\varnothing 0.72 \pm 0.10$
 Nominal thickness: 0.13 mm
 Resistance at 20 °C: 10 M Ω /km min

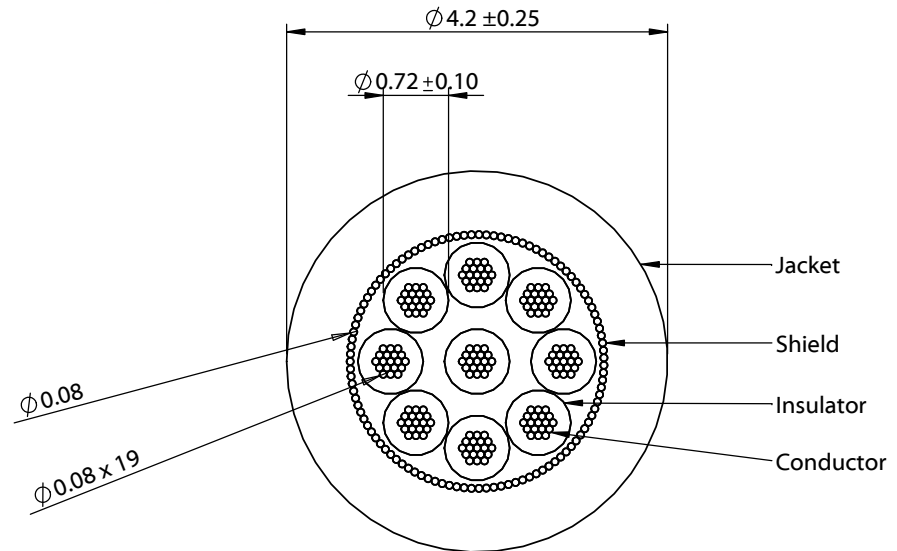
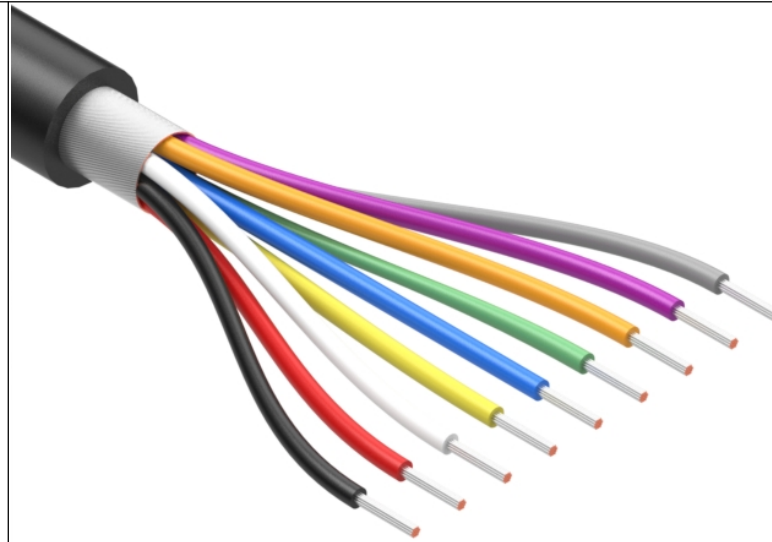
Shield



Material: tinned copper strands
 Strand size: 0.08 mm, 85% min coverage

Outer jacket

Material: TPE, 78A
 Color: black, matte
 Diameter: $\varnothing 4.2 \pm 0.25$
 Nominal thickness: 0.6 mm

Wire marking: E339579 UL AWM STYLE 21296 28 AWG 105°C
 300V VW-1 --- cUL AWM I A 105°C 300V FT1 TENSILITY DGT



| | | | | | | |
|-----------|------------|-----------------|--|---|---|--------------|
| Revision: | Date: | Description: | Prepared: | Notes: RoHS compliant Phthalate free Function test: no open, no short circuit, no intermittent | <h1>TENSILITY</h1> <p>tel 1.541.323.3228 800 877.670.7118 fax 1.541.323.4202 web tensility.com</p> | |
| A | 10/26/2021 | Initial release | Verified: | | | |
| | | | Dimensions are in millimeters. Tolerances: X: ± 0.5 mm X.X: ± 0.3 mm X.XX: ± 0.05 mm | Description: | Size: Part number: | |
| | | | | Wire, 9C TS, 28 AWG, UL 21296, 300V, 105C, 4.2 mm, shielded, VW-1, TPE | A 30-02471 | |
| | | | | Scale: 12:1 |   | Sheet 1 of 1 |

5

4

3

2

1