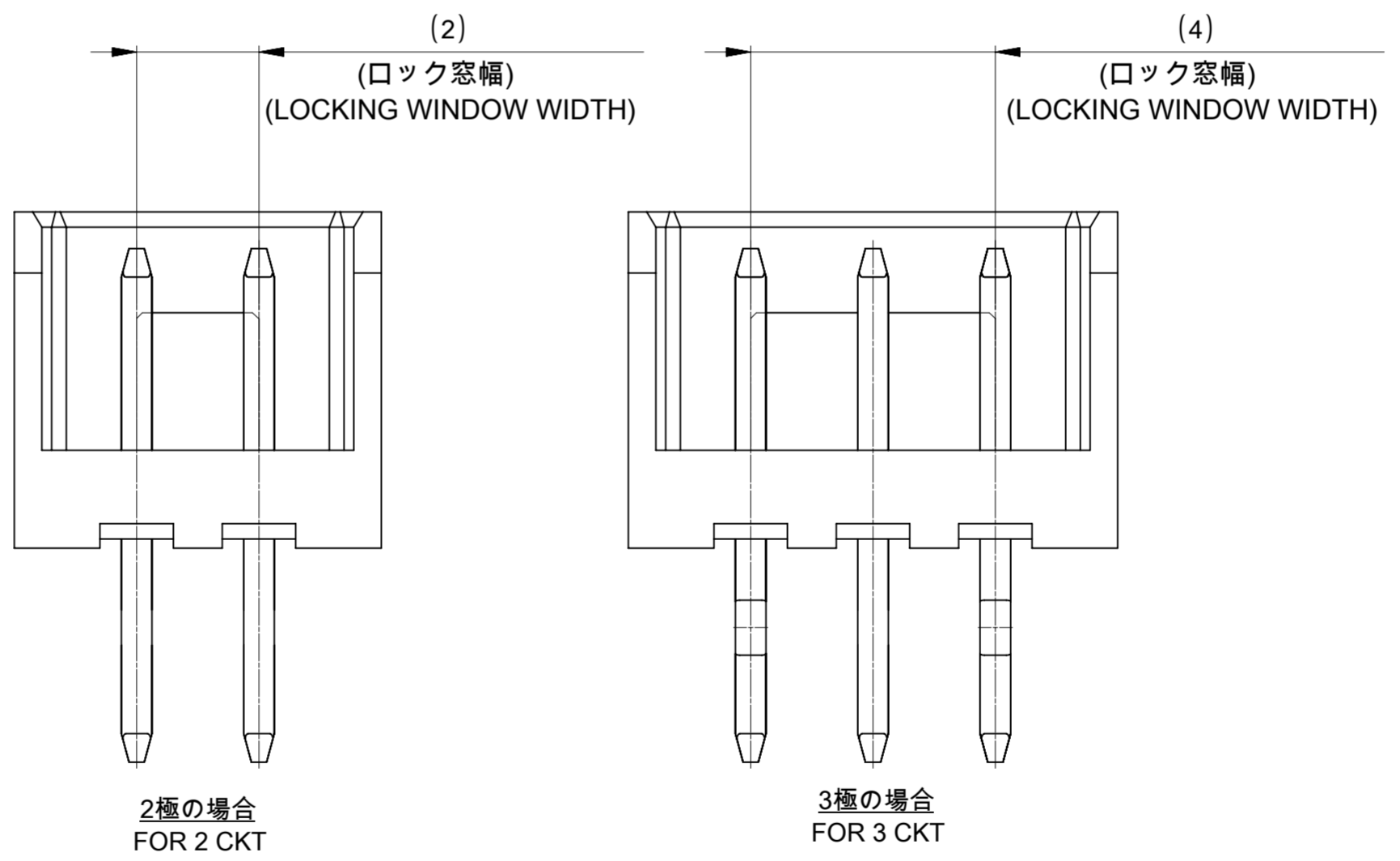
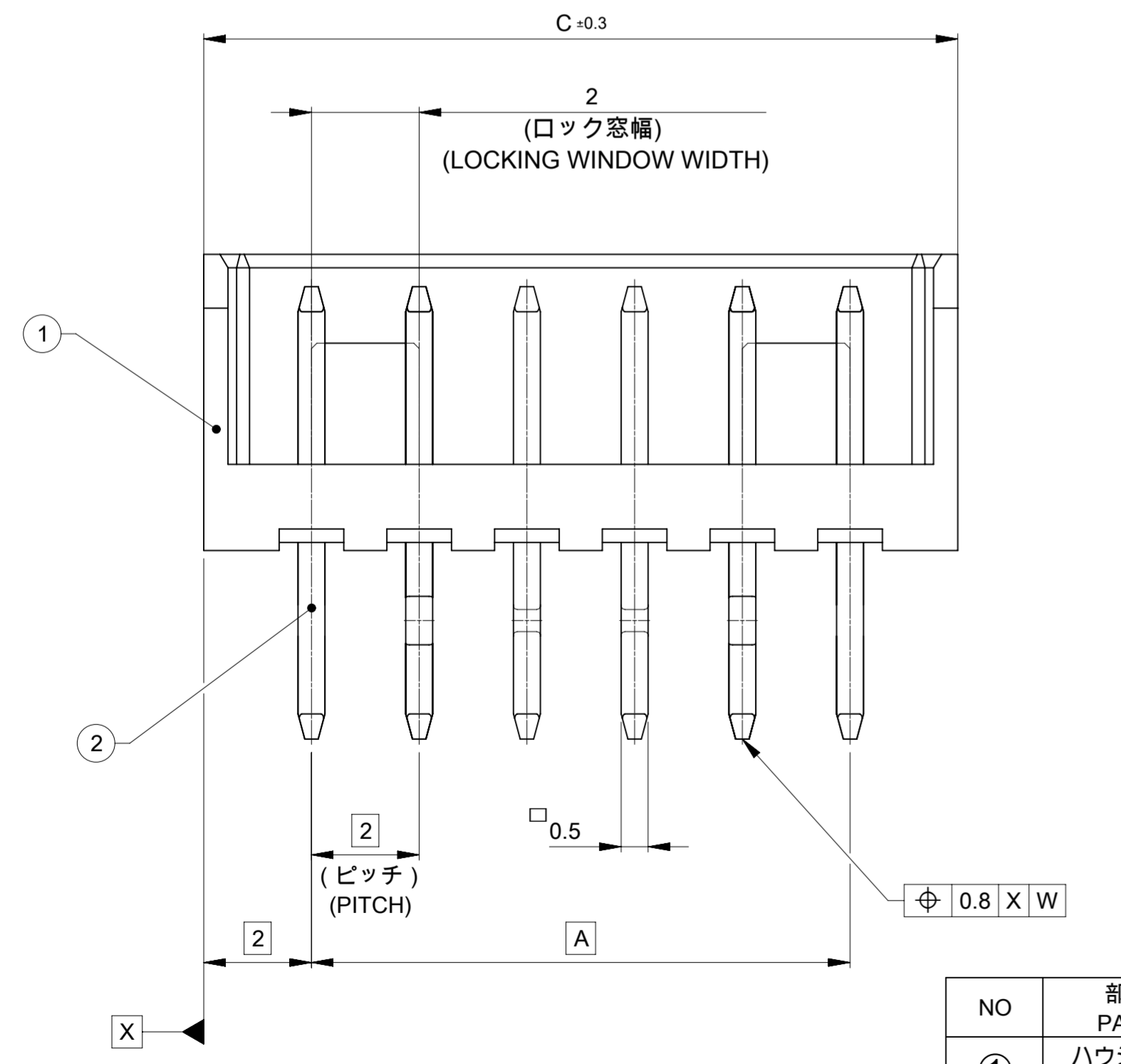
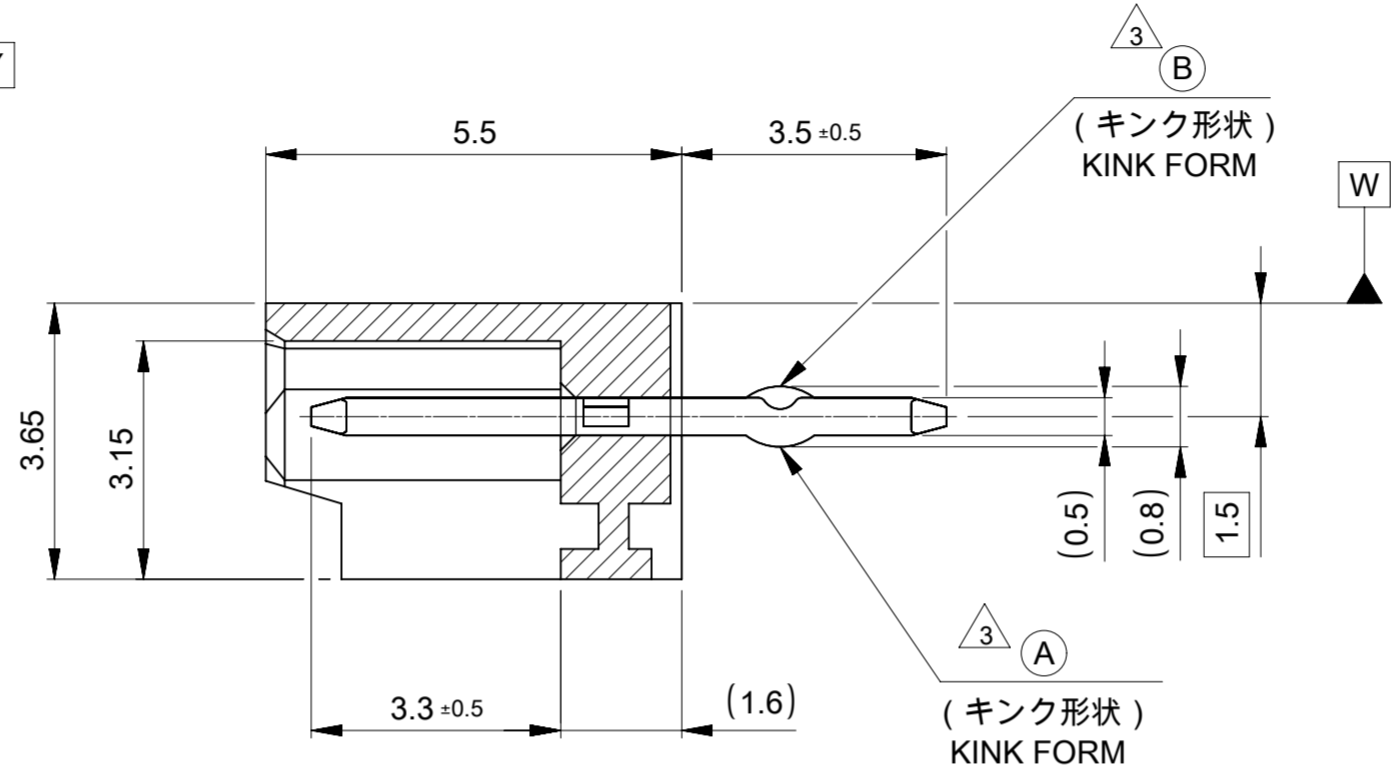


5. 基板取付穴寸法 (参考) (t = 1.6)  
RECOMMENDED P.C. BOARD HOLE DIMENSION (REFERENCE)



- NOTES
1. 材料及仕上げ (めっき仕様) : TABLE 1参照  
MATERIAL AND FINISHES: SEE TABLE 1
  2. 適合製品及び各種仕様書はSHEET 2をご参考ください。  
PLEASE REFER TO SHEET 2 FOR APPLICABLE PRODUCTS AND VARIOUS SPECIFICATIONS.
  3. キンクは下記表の位置及び形状に付加のこと。2極はキンク無し。  
KINK TO BE APPLIED AS FOLLOWS, 2 CIRCUIT HAS NO KINK.

極数 CKT	回路番号 CIRCUIT NO							
	1	2	3	4	5	N-2	N-1	N
6極以上 MORE THAN 6 CKT	-	(A)	(B)	-	-	(B)	(A)	-
5極 5CKT	(A)	(B)	-	(B)	(A)			
4極 4CKT	(A)	(B)	(B)	(A)				
3極 3CKT	(A)	(B)	(A)					

4. 本製品は金めっき品です。錫めっきは532530000-SD/PSD/000を御参照ください。  
THIS PRODUCT IS A GOLD PLATING, PLEASE REFER TO 532530000-SD/PSD/000 FOR TIN PLATING.
5. 本製品は金めっき品です。錫めっきは532530000-SD/PSD/000を御参照ください。  
PART-PCB間の実装には極性はありません。  
極数番号は記載していません。  
PART-TO-PCB MOUNTING IS NOT POLARIZED:  
NO CIRCUIT NUMBERING IS REQUIRED.

32	31.1	28	5026031570	15
30	29.1	26	5026031470	14
28	27.1	24	5026031370	13
26	25.1	22	5026031270	12
24	23.1	20	5026031170	11
22	21.1	18	5026031070	10
20	19.1	16	5026030970	9
18	17.1	14	5026030870	8
16	15.1	12	5026030770	7
14	13.1	10	5026030670	6
12	11.1	8	5026030570	5
10	9.1	6	5026030470	4
8	7.1	4	5026030370	3
6	5.1	2	5026030270	2
C	B	A	トレイ TRAY	極数 CKT
			オーダー番号 ORDER NO	

THIS DRAWING CONTAINS INFORMATION THAT IS PROPRIETARY TO MOLEX ELECTRONIC TECHNOLOGIES, LLC AND SHOULD NOT BE USED WITHOUT WRITTEN PERMISSION

DIMENSION UNITS	SCALE	CURRENT REV	DESC:
mm	NTS		REVISED
GENERAL TOLERANCES (UNLESS SPECIFIED)			
ANGULAR TOL	± 3.0°		
4 PLACES	± 0.2		
3 PLACES	± 0.2		
2 PLACES	± 0.2		
1 PLACE	± 0.2		
0 PLACES	± 0.2		
DRAFT WHERE APPLICABLE MUST REMAIN WITHIN DIMENSIONS			
THIRD ANGLE PROJECTION		DRAWING	SERIES
A2-SIZE		502603	

**molex**

MICRO-LATCH 2.0 WTB GOLD PLUG ASSEMBLY VERTICAL

PRODUCT CUSTOMER DRAWING

DOCUMENT NUMBER: 5026030000-SD | DOC TYPE: PSD | DOC PART: 000 | REVISION: B

MATERIAL NUMBER: SEE TABLE | CUSTOMER: GENERAL | SHEET NUMBER: 1 OF 2

1 TABLE 1

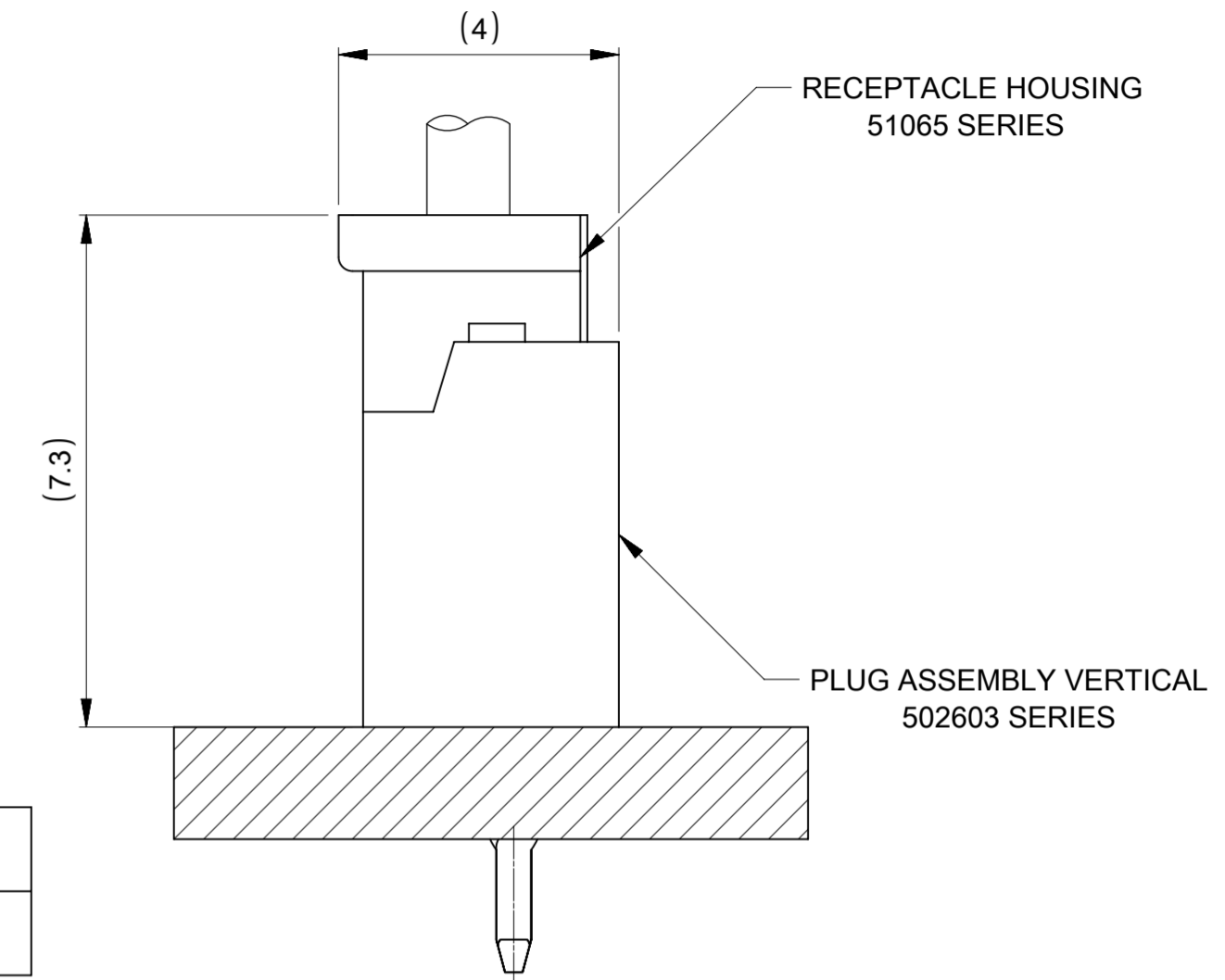
NO	部品 PART	材質 MATERIAL
①	ハウジング HOUSING	ポリアミド(PA)、UL94V-0、色: ナチュラル (ベージュ) POLYAMIDE(PA), UL94V-0, COLOR: NATURAL (BEIGE)
②	ターミナル TERMINAL	黄銅 BRASS
		下地めっき UNDER PLATING めっき PLATING
		ニッケルめっき : 1.0 micro-meter MIN NICKEL PLATING: 1.0 micro-meter MIN
		金めっき : 0.1 micro-meter MIN GOLD: 0.1 micro-meter MIN

△ 適合製品及び各種仕様書  
 APPLICABLE PRODUCTS AND VARIOUS SPECIFICATIONS

梱包仕様書 PACKING SPECIFICATION	PART NUMBER	SPECIFICATION NUMBER
	502603**70	5026039200-SPK

適合ハウジング APPLICABLE HOUSING	SINGLE TYPE
シリーズ番号 SERIES NO	51065
製品仕様書 PRODUCT SPECIFICATION	510650001-PS/PS/000

適合端子 APPLICABLE TERMINAL	PART NUMBER	PLATING TYPE	WIRE SIZE (AWG)
	593548081	GOLD	#24-28



51065シリーズ/502603シリーズ 嵌合状態図 参考  
 51065 SERIES/ 502603 SERIES MATED DRAWING (REF)

THIS DRAWING CONTAINS INFORMATION THAT IS PROPRIETARY TO MOLEX ELECTRONIC TECHNOLOGIES, LLC AND SHOULD NOT BE USED WITHOUT WRITTEN PERMISSION										
DIMENSION UNITS	SCALE	CURRENT REV DESC: REVISED				<b>molex</b>				
mm	NTS									
GENERAL TOLERANCES (UNLESS SPECIFIED)						MICRO-LATCH 2.0 WTB GOLD PLUG ASSEMBLY VERTICAL				
ANGULAR TOL	± 3.0°	EC NO: 660008				PRODUCT CUSTOMER DRAWING				
4 PLACES	± 0.2	DRWN: HHUSSIN 2021/04/06				DOCUMENT NUMBER				
3 PLACES	± 0.2	CHK'D: SAKIYAMA 2021/06/02				5026030000-SD				
2 PLACES	± 0.2	APPR: KOMURAKAMI 2021/06/02				DOC TYPE		DOC PART		REVISION
1 PLACE	± 0.2	INITIAL REVISION:				PSD		000		B
0 PLACES	± 0.2	DRWN: HHUSSIN 2020/01/30				MATERIAL NUMBER		CUSTOMER		SHEET NUMBER
DRAFT WHERE APPLICABLE MUST REMAIN WITHIN DIMENSIONS		THIRD ANGLE PROJECTION		DRAWING	SERIES	SEE TABLE		GENERAL		2 OF 2
				A2-SIZE	502603					