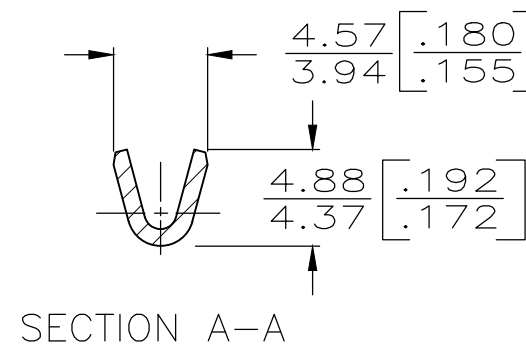
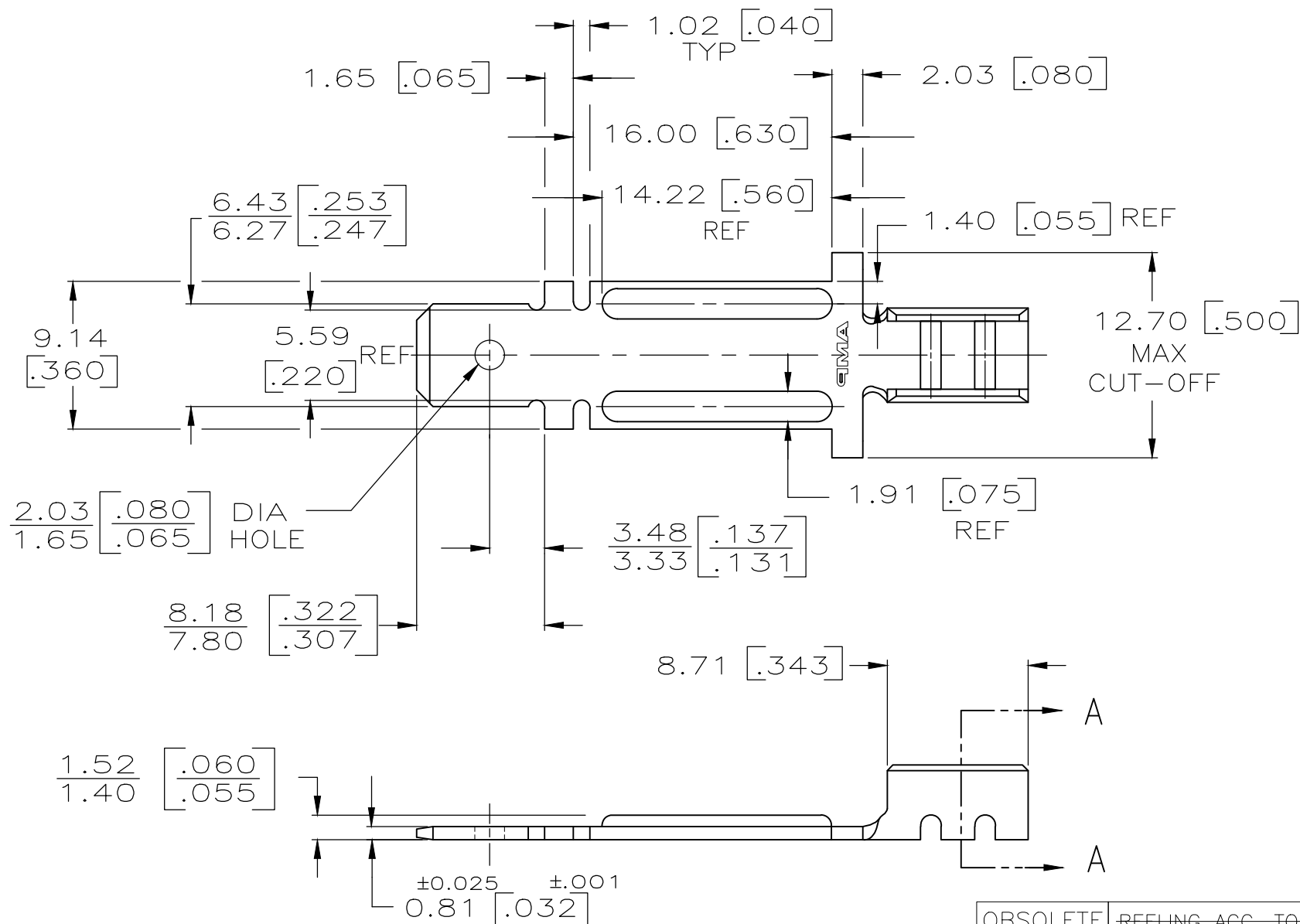


THIS DRAWING IS UNPUBLISHED. RELEASED FOR PUBLICATION
 © COPYRIGHT - By - ALL RIGHTS RESERVED.

LOC	DIST	REVISIONS			
P	LTR	DESCRIPTION	DATE	DWN	APVD
AF	50				
	A2	REVISED PER ECR-19-018151	12NOV2020	AA	EW

- 1 DIMENSIONS IN BRACKETS ARE IN INCHES.
- 2 CONTINUOUS STRIP ON REELS.

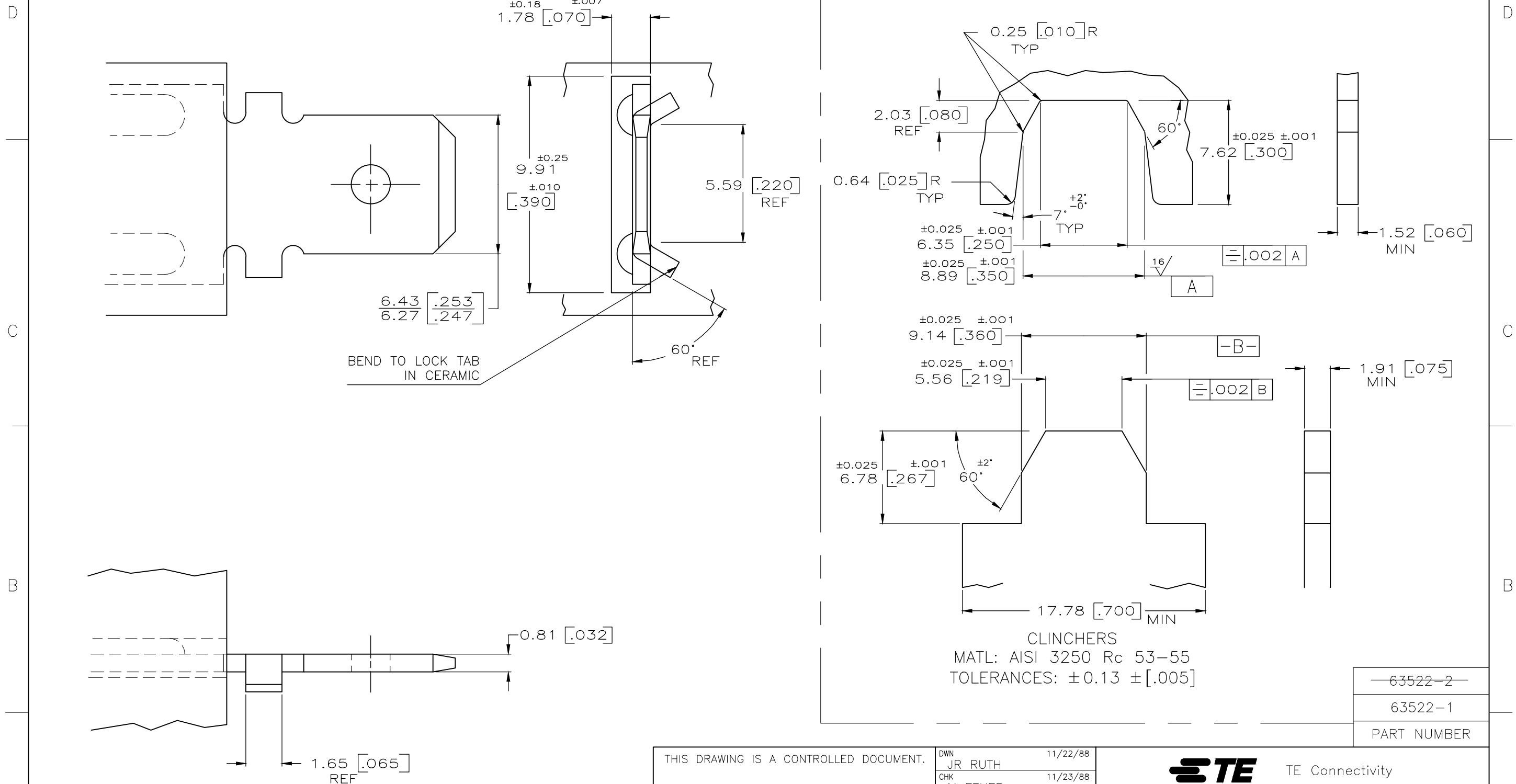


OBSOLETE	REELING ACC. TO TE SPEC. 107-3 FIG. 1	[20 15] 0.81-1.45 MM DIA	63522-2
	REELING ACC. TO TE SPEC. 107-3 FIG. 3	[20-15] 0.81-1.45 MM DIA	63522-1
	REELING	WIRE SIZE	PART NUMBER

THIS DRAWING IS A CONTROLLED DOCUMENT.		DWN	JR RUTH	11/22/88				
DIMENSIONS: mm[INCHES]		CHK	M FEHER	11/23/88				
TOLERANCES UNLESS OTHERWISE SPECIFIED:		APVD	J GILLESPIE	11/28/88				
0 PLC ± - 1 PLC ± - 2 PLC ± - 3 PLC ± 0.25[.010] 4 PLC ± - ANGLES ± -		PRODUCT SPEC	NAME			TAB, NI-CHROME WIRE, .250 SERIES		
MATERIAL		APPLICATION SPEC	114-2097		SIZE	CAGE CODE	DRAWING NO	RESTRICTED TO
CRS TEMP 2		WEIGHT	-		A3	00779	C-63522	-
FINISH		CUSTOMER DRAWING			SCALE	SHEET	REV	
NICKEL .000100 MIN					4:1	1 OF 2	A2	

THIS DRAWING IS UNPUBLISHED. RELEASED FOR PUBLICATION
 © COPYRIGHT - By - ALL RIGHTS RESERVED.

LOC	DIST	REVISIONS			
P	LTR	DESCRIPTION	DATE	DWN	APVD
AF	50	SEE SHEET 1	-	-	-



CLINCHERS
 MATL: AISI 3250 Rc 53-55
 TOLERANCES: ±0.13 ±[.005]

63522-2
63522-1
PART NUMBER

THIS DRAWING IS A CONTROLLED DOCUMENT.		DWN	JR RUTH	11/22/88	 TE Connectivity	NAME			TAB, NI-CHROME WIRE, .250 SERIES			
DIMENSIONS: mm[INCHES]		CHK	M FEHER	11/23/88		PRODUCT SPEC						
		APVD	J GILLESPIE	11/28/88		APPLICATION SPEC						
MATERIAL		FINISH		WEIGHT			RESTRICTED TO					
CRS TEMP 2		NICKEL .000100 MIN		114-2097			SIZE	CAGE CODE	DRAWING NO	RESTRICTED TO		
				CUSTOMER DRAWING			A3	00779	C=63522	-		
				SCALE			6:1	SHEET		2 of 2	REV	A2