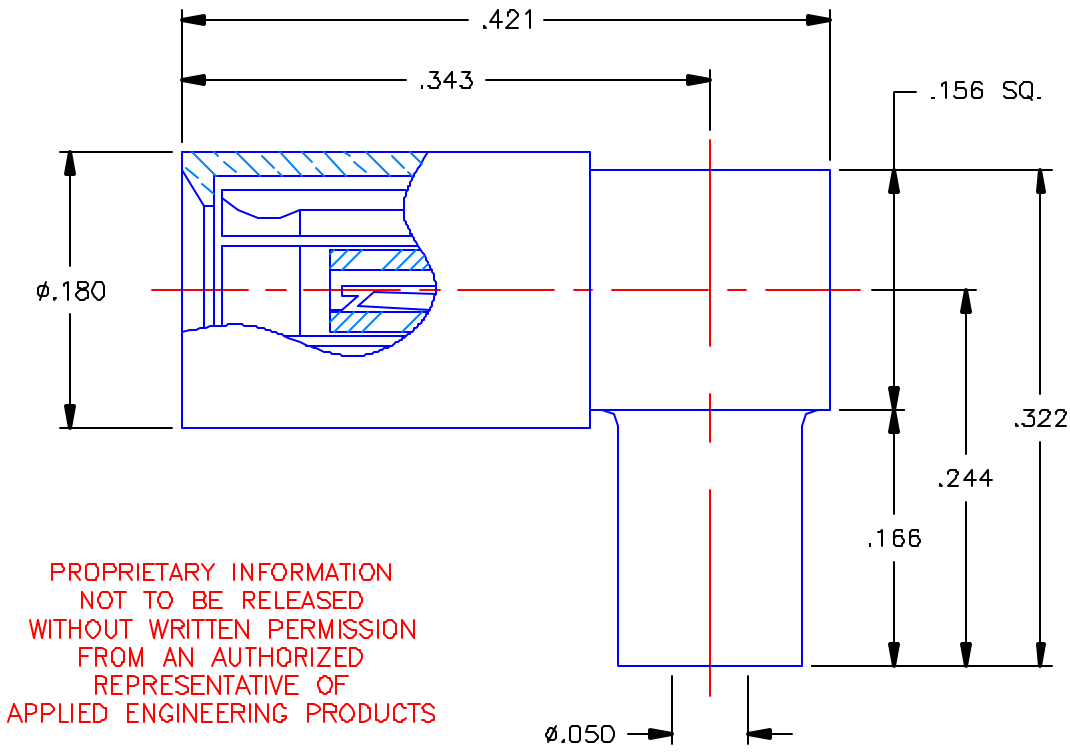


REVISIONS			
REV	DESCRIPTION	DATE	APPROVED
A	ECQ #5672	01/19/05	D.N.




NOTES:

MATERIALS:

1. INTERFACE BODY & CONTACT = BERYLLIUM COPPER PER ASTM B196, ALLOY C17300, TEMPER TD04.
2. INSULATORS = VIRGIN WHITE TEFLON PER ASTM D1710, GRADE 1, TYPE I, CLASS "B".
3. ALL OTHER METAL PARTS = BRASS PER ASTM B16, ALLOY C36000, TEMPER H02.

FINISHES:

1. CONTACT = GOLD PLATE PER MIL-G-45204, TYPE II, CLASS 1, GRADE C, OVER .00010 TO .00020 STRESS FREE SULFAMATE NICKEL PER QQ-N-290.
2. ALL OTHER METAL PARTS = GOLD PLATE PER MIL-G-45204, TYPE II, CLASS 0, GRADE C, OVER .00010 TO .00020 COPPER STRIKE PER MIL-C-14550.

UNLESS OTHERWISE SPECIFIED DIMENSIONS ARE IN INCHES TOLERANCES ON	DWN. D.N.	DATE 01/19/05	 APPLIED ENGINEERING PRODUCTS 104 John W. Murphy Dr. New Haven, CT 06513	
	DECIMAL	ANGLE		CHKD: A.D.M.
		APVD: D.J.C.		DATE 01/19/05
REFERENCE:	MATERIALS & FINISHES: SEE NOTES			SSMB RIGHT ANGLE FEMALE PLUG DIRECT SOLDER TYPE FOR .047 S/R CABLE
ORIGINATOR: D.N. DATE: 09/13/91	SIZE A	FSCM NO 19505	DWG NO 7405-1561-011	REV A
	SCALE 8:1			SHEET 1 OF 1

7405-1561-011