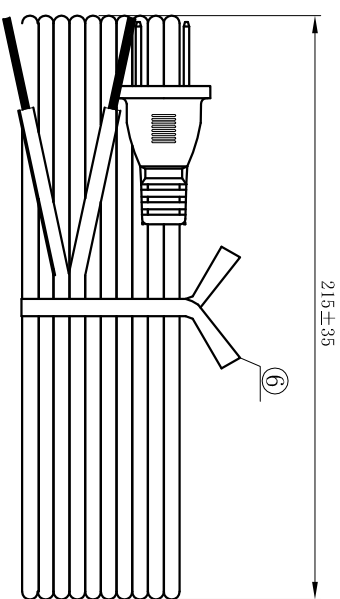
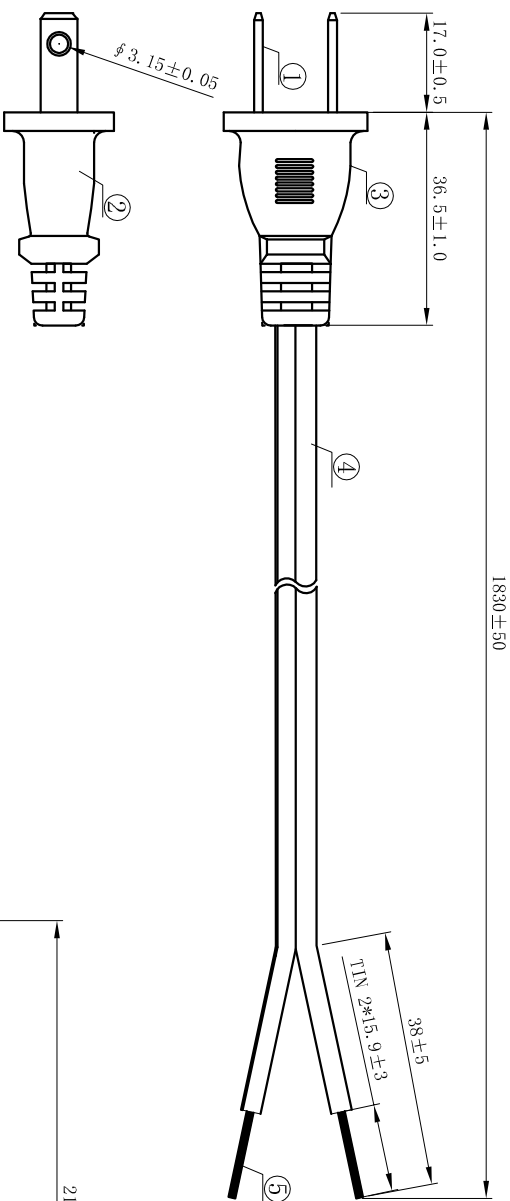
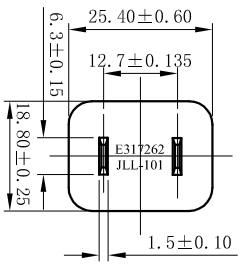


PART NO.	JLL-101 WIRE	SCALE	1 : 1
DESCRIPTION	SPT-2#18*2C 60C	UNIT:	mm
DWG No.	800-1809-0-SPT2-BL-0006R		

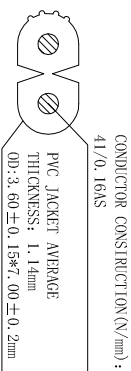


NOTES:

1) JACKET COLOR: BLACK

TESTING:

- 1) 100% OPEN & SHORT TESTING
- 2) INSULATION RESISTANCE: 100M ohm (min)
- 3) VOLTAGE: DC500V/1min
- 4) ROHS COMPLIANT



NO.	SPECIFICATION	COLOUR	MATERIAL	AMOUNT
①	Non-polar terminal 98661	Silver	Cu	2P
②	Model aircraft 8661AV-2P	WHITE	PBT	1PCS
③	Plug JLL-101	BLACK	PVC Cu	1PCS
④	Wire SPT-2 18AWG/2C 60°C	BLACK	PVC Cu	1PCS
⑤	Tin	Silver	Article tin	2PCS
⑥	Ties	BLACK		1PCS

CONDUCTOR CONSTRUCTION (N/mm):	41/0, 16AS
PVC JACKET AVERAGE THICKNESS:	1.14mm
OD:	3.60 ± 0.15*7.00 ± 0.2mm

Printing the contents of wire	The use of printing ink replenish Wire		
E243711 (UL) SPT-2 2 X 18AWG(0.824mm <sup>2</sup> ) W-1 60°C 300V CSA 228191 SPT-2 2 X 18AWG(0.824mm <sup>2</sup> ) FT2 60°C 300V JINLIANJI -LF-			
REV	DATE	DESCRIPTION	SYMBOL
DRAWED/DATE	CHECKED/DATE	GONG/11.05.13	
CAI/10.05.10			