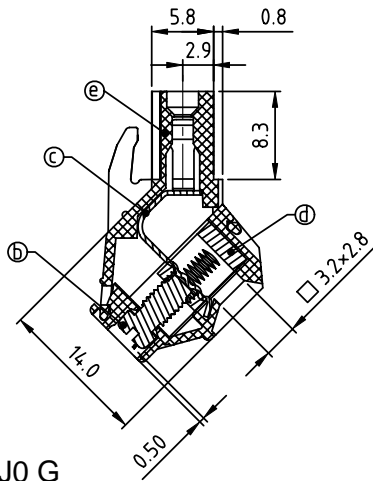
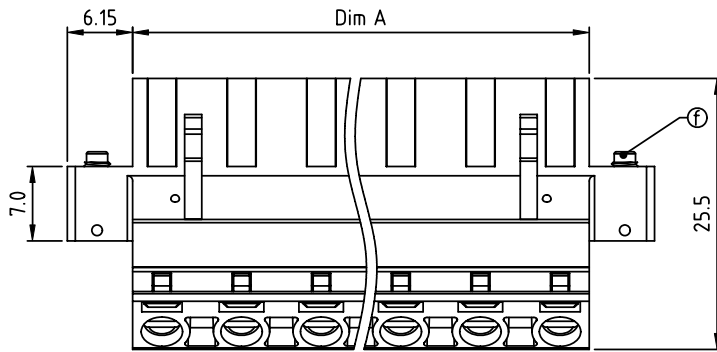
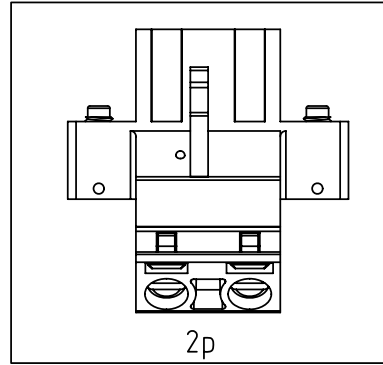
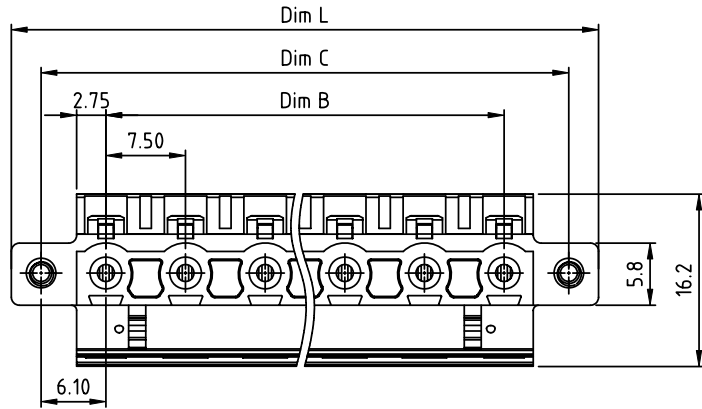


PRODUCT NUMBER	PITCH
EMxxA1x200J0G	7.50 mm



Material:

- Item (a) Clamp: Brass(CuZn) Ni plated
- Item (b) Terminal screw: Steel Zinc plating "- " slot type
- Item (c) Female contact: High conductivity copper ,Tin plated
- Item (d) Terminal (top body): Thermoplastic (UL94V-0)
- Item (e) Terminal (bottom body): Thermoplastic (UL94V-0)
- Item (f) With flange screw: M2.5 Steel Zinc plating "+ /-" slot type

Electrical cULus

- Voltage rating: 300VAC
- Current rating: 20A
- Wire range:
- Solid wire(AWG): 12-22
- Stranded wire(AWG): 12-22
- Torque: 4 Lb-In
- Screw: M3
- Wire strip length: 7-8mm
- Withstanding Voltage: 1.6KV
- Operating temperature: -40°C to +115°C
- Safety Approval:

Dim L=(N-1)×7.5+17.8  
 Dim A=(N-1)×7.5+5.5  
 Dim B=(N-1)×7.5  
 Dim C=(N-1)×7.5+12.2  
 N=Number of poles

POLES	Tolerance
2p-4p	±0.10
5p-8p	±0.15
9p-12p	±0.20
13p-16p	±0.30

PART NO.: EM xx A1 x 2 00J0 G

- |              |     |       |   |                   |                 |
|--------------|-----|-------|---|-------------------|-----------------|
| Solid block  | 0   | Color | 0 | Black (RAL9005)   | RoHS compliant  |
| No. of poles | 2   |       | 2 | Red (RAL3001/D)   | (lead<4%)       |
|              | 02  |       | 3 | Orange(RAL2011/P) | In copper Alloy |
|              | 03  |       | 4 | Yellow(RAL1018/A) |                 |
| ...          | ... |       | 5 | Green(RAL6018/T)  |                 |
| 16           | 16  |       | 6 | Blue (RAL5015/A)  |                 |
|              |     |       | 8 | Grey(RAL7035/D)   |                 |
|              |     |       | 9 | White(RAL1102)    |                 |
|              |     |       | C | Green(RAL6018/U)  |                 |

mat'l. code		surface ASME Y14.5	tolerance ASME Y14.5	projection 	product family TERMINAL BLOCK
ltr	ecn no	dr	date	tolerances unless otherwise specified	title TERMINAL BLOCK
				angles 	PLUGGABLE PLUG, WITH FLANGE
				X±1°	scale
				dr	FCI
				enr	EMxxA1x200J0G
				chr	sheet 1 of 1
				appd	size A4
					type CUSTOMER Drawing
sheet index	revision	A			
	sheet	1			