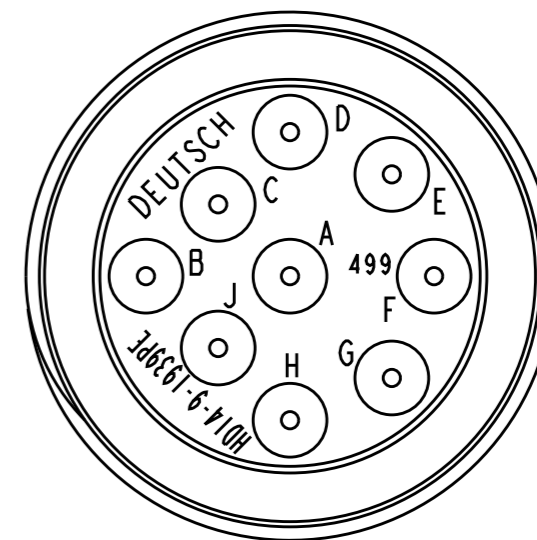
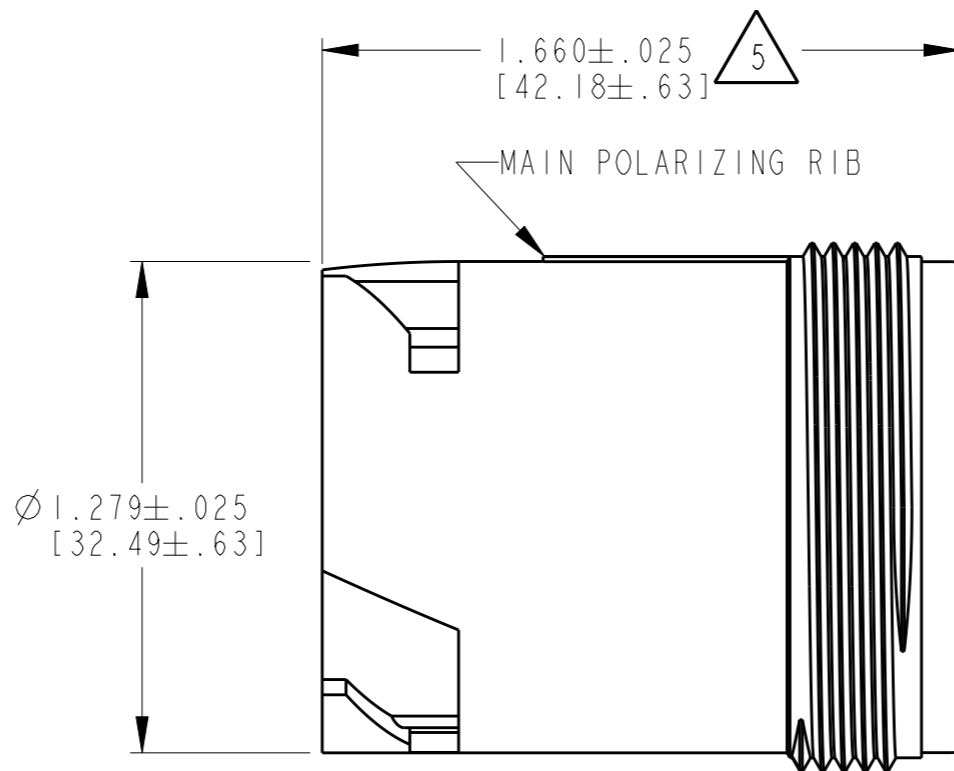
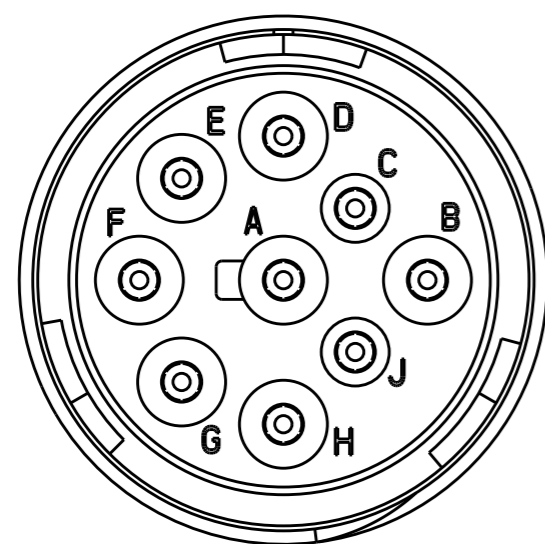


THIS DRAWING IS UNPUBLISHED. RELEASED FOR PUBLICATION
 © COPYRIGHT BY - ALL RIGHTS RESERVED.

| LOC | DIST | REVISIONS | | | | | |
|-----|------|-----------|-----|-----------------------------|---------|-----|------|
| | | P | LTR | DESCRIPTION | DATE | DWN | APVD |
| - | - | | - | NEW RELEASE PER E.O. PI5120 | 10-7-96 | IG | RDR |
| | | | A | REVISED PER E.O. PI5192 | 1-7-97 | IG | RDR |
| | | | AI | REVISED PER ECO-13-009013 | 3-28-13 | JA | IG |



6. MATERIAL: SHELL: PLASTIC; SEAL: RUBBER.

5. OVERALL DIMENSION DOES NOT INCLUDE RUBBER GROMMET.

4. ALL DIMENSIONS ARE IN INCHES (MILLIMETERS).
 DIMENSION TOLERANCE ±.025 [.64] UNLESS OTHERWISE NOTED.

3. THIS CONNECTOR SERIES WILL ACCOMMODATE THE FOLLOWING WIRE INSULATION DIAMETERS.

| CONTACT SIZE | MINIMUM O.D. | MAXIMUM O.D. | WIRE GAGE RANGE |
|--------------|----------------|----------------|-----------------|
| 16 | .053 (1.35) | .120 (3.05) | 18 THRU 14 |

2. CONSULT FACTORY FOR ELECTRICAL AND MATERIAL SPECIFICATIONS.

1. PERTINENT INFORMATION:
 18 & 16 AWG POWER CONTACTS SOC. # 0460-202-16141.
 16 & 14 AWG POWER CONTACTS SOC. # 0460-215-16141.

NOTES:

| | | | | | |
|--|--|--|--|---|--|
| THIS DRAWING IS A CONTROLLED DOCUMENT. | | DWN 18APR2013 JAIME C. APOSTOL | | TE Connectivity | |
| DIMENSIONS: INCHES [mm] | | CHK 18APR2013 ILINA GRANICHAROVA | | | |
| | | TOLERANCES UNLESS OTHERWISE SPECIFIED: | | NAME RECEPTACLE CONNECTOR HD10 SERIES ARR. 9-1939, COLOR: BLACK ENVELOPE | |
| | | 0 PLC ±. 1 PLC ±0.1 2 PLC ±0.01 3 PLC ±0.001 4 PLC ±0.0001 ANGLES ±1/2° | | APVD 18APR2013 ILINA GRANICHAROVA | |
| MATERIAL - | | FINISH - | | PRODUCT SPEC - | |
| | | | | APPLICATION SPEC - | |
| | | | | WEIGHT - | |
| | | | | SIZE A3 | |
| | | | | CAGE CODE 00779 | |
| | | | | DRAWING NO. HD14-9-1939PE | |
| | | | | RESTRICTED TO - | |
| | | | | SCALE NONE | |
| | | | | SHEET 1 OF 1 | |
| | | | | REV AI | |