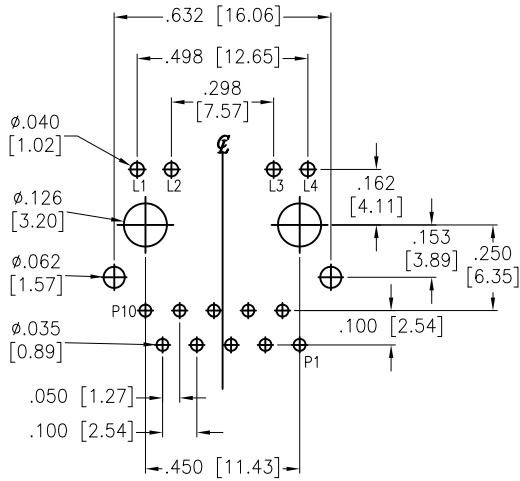
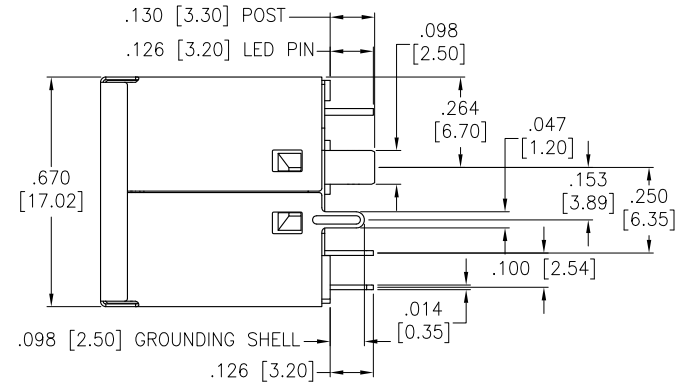
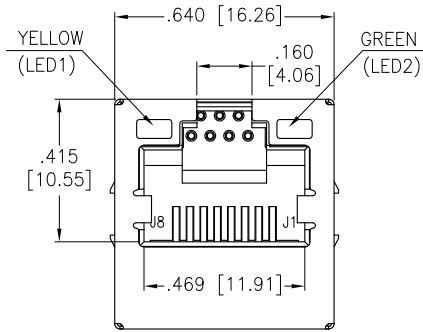
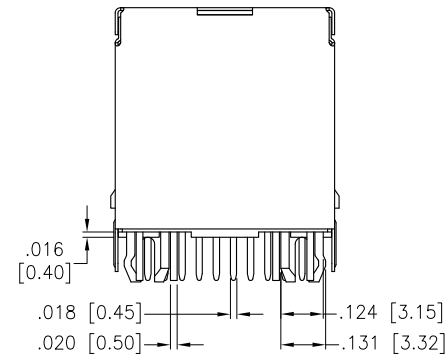
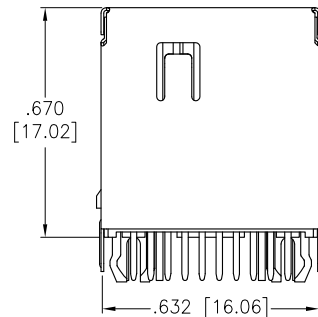


APPROVED: _____
 DATE: _____ TITLE: _____

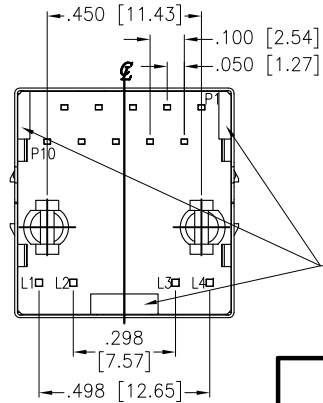
Rev	AWO #	Description	Date	Appr
-		RELEASED	12/12/16	



RECOMMENDED PCB LAYOUT



BACK VIEW



SPECIFICATIONS:
 Material:
 Insulator: Thermoplastic, rated UL 94V-0
 Insulator color: Black
 Contacts: Phosphor Bronze
 Solder tail: Brass
 Shield: Stainless, Pre-Soldering
 Contact Plating:
 Plating:
 Round contact
 Gold over Nickel underplate overall
 Flat contact
 Gold over Nickel underplate on contact area,
 Tin over Nickel underplate on solder tails
 Electrical:
 Insulation resistance: 500 Mohms min
 Dielectric withstanding voltage: 1,500 VAC or 2,250 VDC for 1 minute
 Temperature Rating:
 Operating temperature: -0°C to +70°C
 Environmental:
 Lead free, RoHS compliant.



UNLESS OTHERWISE SPECIFIED
 ALL DIMENSIONS ARE INCHES [MM]
 TOLERANCES: EXCEPT AS NOTED

INCHES		HOLES	
.X	± .10	Ø.X	± .10
.XX	± .020	Ø.XX	± .015
.XXX	± .015	Ø.XXX	± .010

APPROVALS		DATE
DRAWN	HR	12/12/16
CHECKED	AT	12/12/16
APPROVED		

ADAM TECH INTERCONNECTS
 909 Rahway Avenue,
 Union, NJ 07083
 Phone: 908-687-5000
 Fax: 908-687-5710

TITLE			
MODULAR TELEPHONE JACK, 8P8C			
TOP ENTRY, PCB, FULL SHIELD			
SIZE	PART NO.	REV.	
X	MTJ-88AX1-FSN-LG-M21Y	-	
REF: S00101C	SCALE: NTS	SHEET 1 OF 2	

6

5

4

3

2

1

APPROVED: _____

DATE: _____ TITLE: _____

Rev | AWO # | Description | Date | Appr

SEE SHT 1 OF 2 FOR REVISION

Board side | Cable side

TCT P5
TD1+ P1
TD1- P2
TD2+ P3
TD2- P4
TD3+ P7
TD3- P8
TD4+ P9
TD4-P10
TCT P6

J1 TX+
J2 TX-
J3 TX+
J6 TX-
J4 TX+
J5 TX-
J7 TX+
J8 TX-

75 OHM
75 OHM
75 OHM
75 OHM

2KV
1000pF
Shield

1. INSERTION LOSS :
- 1~100 MHz -1.0dB MAX

2. RETURN LOSS(LOAD 100Ω) :
- 1~30 MHz -18dB MIN
- 30~60 MHz -16dB MIN
- 60~80 MHz -12dB MIN
- 80~120 MHz -10dB MIN

3. COMMON MODE REJECTION
- 1~100 MHz -30dB MIN

4. CROSS TALK
- 1~100 MHz -30dB MIN

5. INDUCTANCE @ 100KHz, 0.1V, 8mA DC BIAS
- (P1-P2),(P3-P4),(P7-P8),(P9-P10) : 350 uH MIN

6. DCR
- (J1-J2),(J3-J6),(J4-J5),(J7-J8): 1.2 Ohm MAX

7. HI-POT TEST
- BOARD SIDE TO CABLE SIDE :
1500VAC 60S OR 2250VDC 60S

8. TURNS RATION 100KHz
- (P1-P2) : (J1-J2) = 1:1 ±%3
- (P3-P4) : (J3-J6) = 1:1 ±%3
- (P7-P8) : (J4-J5) = 1:1 ±%3
- (P9-P10) : (J7-J8) = 1:1 ±%3

Yellow
L1 → LED1 → L2

Green
L3 → LED2 → L4

UNLESS OTHERWISE SPECIFIED
ALL DIMENSIONS ARE INCHES [MM]
TOLERANCES: EXCEPT AS NOTED
INCHES HOLES
.X ±.10 Ø.X ±.10
.XX ±.020 Ø.XX ±.015
.XXX ±.015 Ø.XXX ±.010

APPROVALS		DATE
DRAWN	HR	12/12/16
CHECKED	AT	12/12/16
APPROVED		

ADAM
TECH
INTERCONNECTS

909 Rahway Avenue,
Union, NJ 07083
Phone: 908-687-5000
Fax: 908-687-5710

TITLE
MODULAR TELEPHONE JACK, 8P8C
TOP ENTRY, PCB, FULL SHIELD

SIZE	PART NO.	REV.
X	MTJ-88AX1-FSN-LG-M21Y	-
REF: S00101C	SCALE: NTS	SHEET 2 OF 2

6

5

4

3

2

1