

WEEE

ROHS CHINA

Digilent Inc.

CEREBOT 32MX7

Cerebot 32MX7

Copyright 2010, Digilent Inc.

Engineer: NEA

SHEET: Pmod Connectors

Author: GA

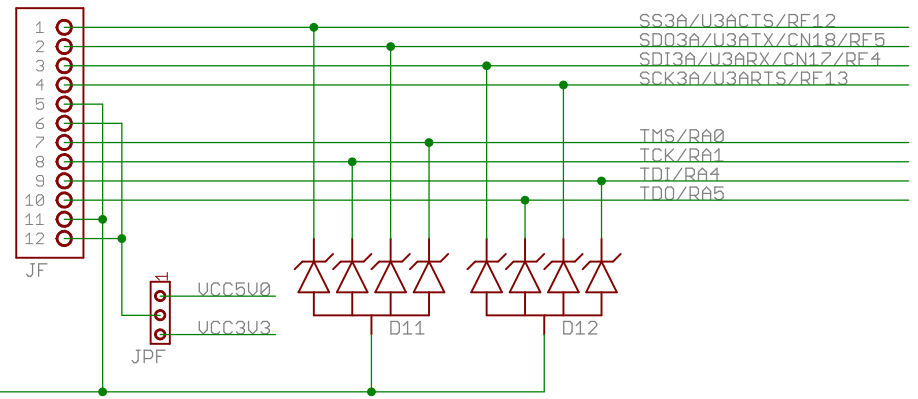
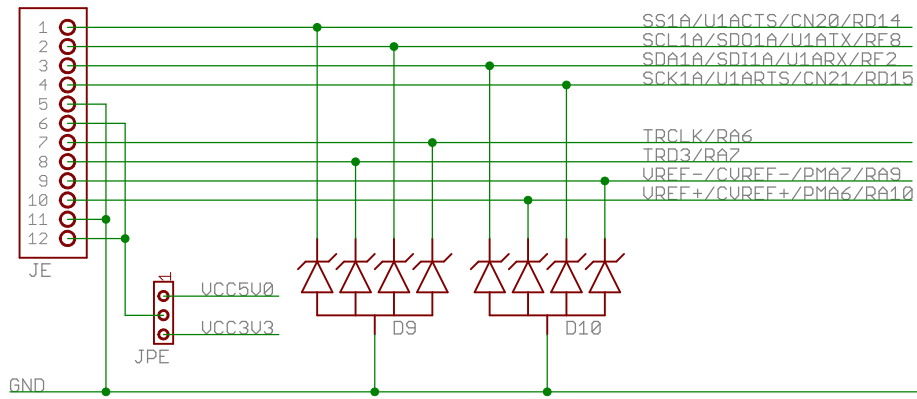
TITLE: Cerebot 32MX7

Rev: C

Doc#: 500-186

Date: 10/20/2010

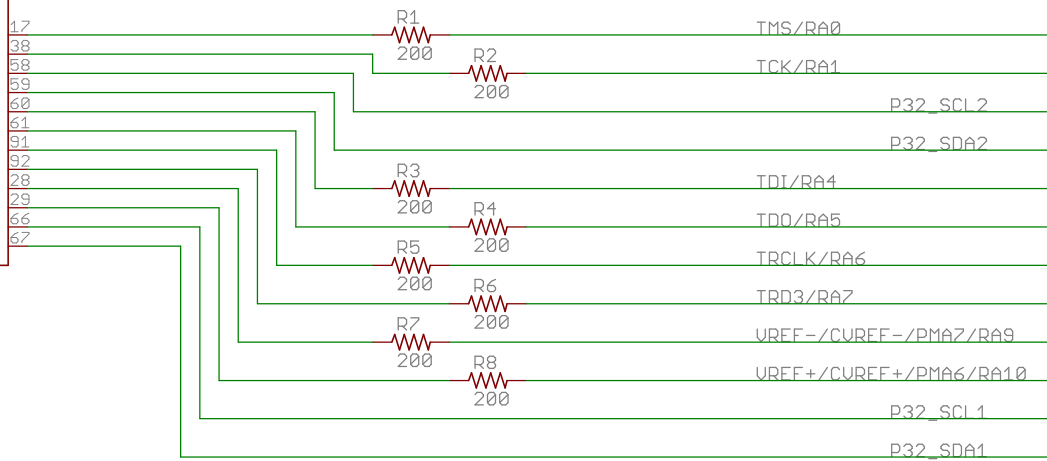
Sheet: 1/9



Cerebot 32MX7		Engineer: NEA
Copyright 2010, Digilent Inc.		Author: GA
SHEET: Pmod Connectors		Rev: C
TITLE: Cerebot 32MX7		Doc#: 500-186
Date: 10/20/2010	Sheet: 2/9	

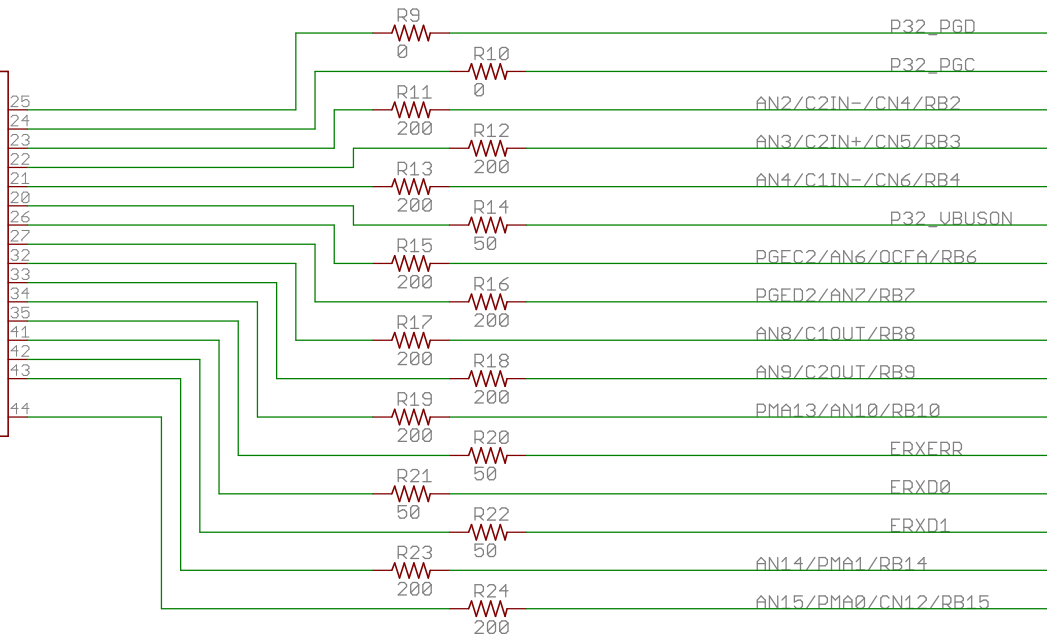
Port A	
TMS/RA0	17
TCK/RA1	38
SCL2/RA2	58
SDA2/RA3	59
TDI/RA4	60
TDO/RA5	61
TRCLK/RA6	92
TRD3/RA7	92
UREF-/CUREF-/AERXD2/PMA7/RA9	28
UREF+/CUREF+/AERXD3/PMA6/RA10	29
AETXCLK/SCL1/INT3/RA14	66
AETXEN/SDA1/INT4/RA15	67

IC1PA



Port B	
PGED1/AN0/CN2/RB0	25
PGEC1/AN1/CN3/RB1	24
AN2/C2IN-/CN4/RB2	23
AN3/C2IN+/CN5/RB3	22
AN4/C1IN-/CN6/RB4	21
AN5/C1IN+/UBUSON/CN7/RB5	20
PGEC2/AN6/OCFA/RB6	26
PGED2/AN7/RB7	27
AN8/C1OUT/RB8	32
AN9/C2OUT/RB9	33
AN10/CUREFOUT/PMA13/RB10	34
AN11/ERXERR/AETXERR/PMA12/RB11	35
AN12/ERXD0/AECRS/PMA11/RB12	41
AN13/ERXD1/AECOL/PMA10/RB13	42
AN14/ERXD2/AETXD3/PMALH/PMA1/RB14	43
AN15/ERXD3/AETXD2/OCFB/PMA11/PMA0/CN12/RB15	44

IC1PB



### Cerebot 32MX7

Copyright 2010, Digilent Inc.

Engineer: NEA

SHEET: PIC32 Microcontroller

Author: GA

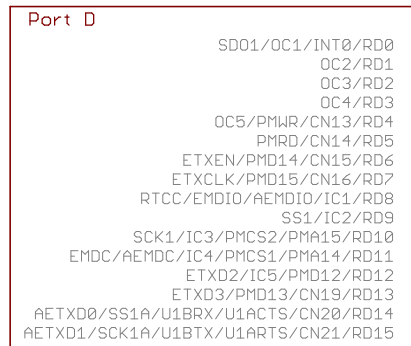
TITLE: Cerebot 32MX7

Rev: C

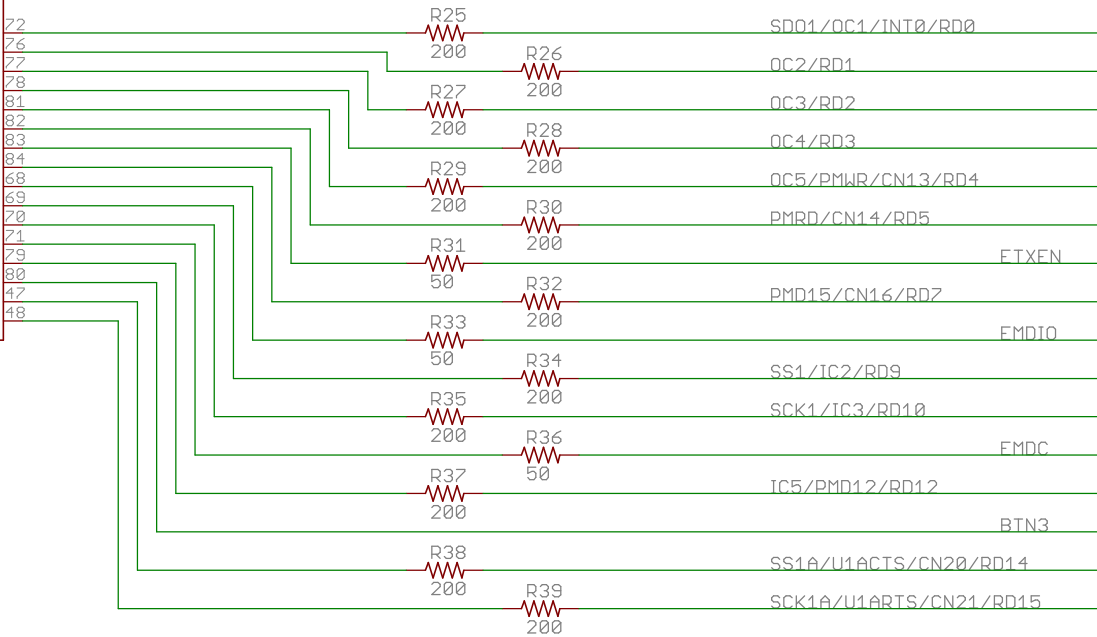
Doc#: 500-186

Date: 10/20/2010

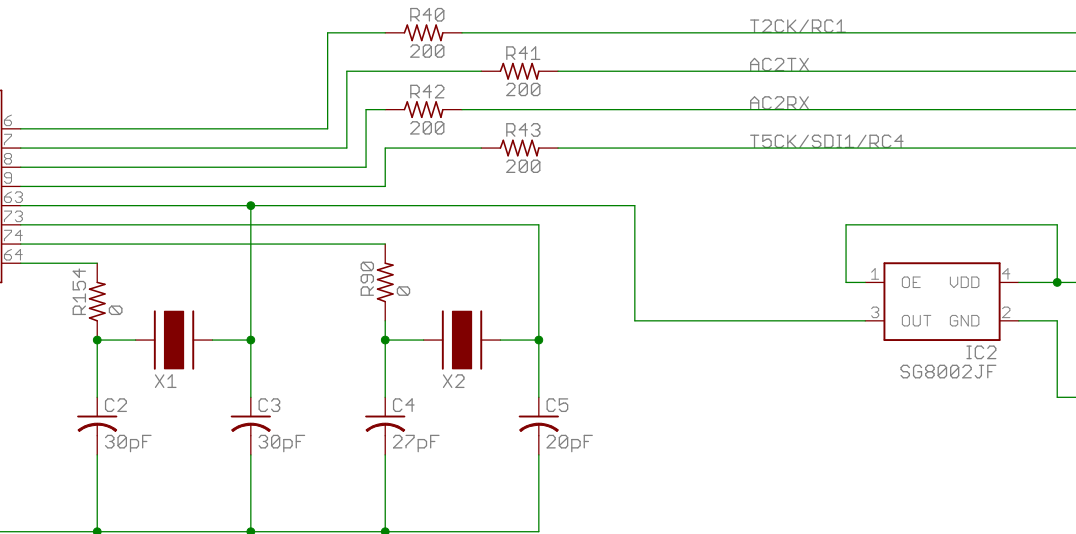
Sheet: 3/9



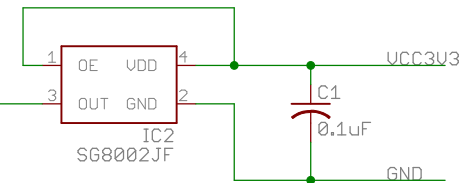
IC1PD



IC1PC



GND



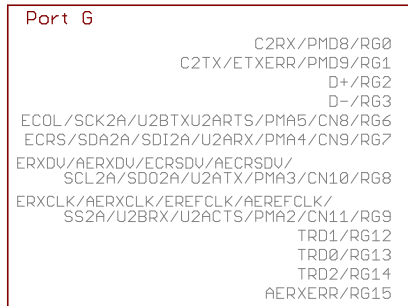
Cerebot 32MX7		Engineer: NEA
Copyright 2010, Digilent Inc.		Author: GA
SHEET: PIC32 Microcontroller		Rev: C
TITLE: Cerebot 32MX7		Doc#: 500-186
Date: 10/20/2010	Sheet: 4/9	



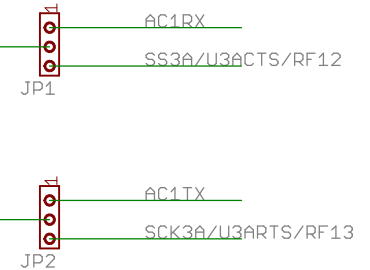
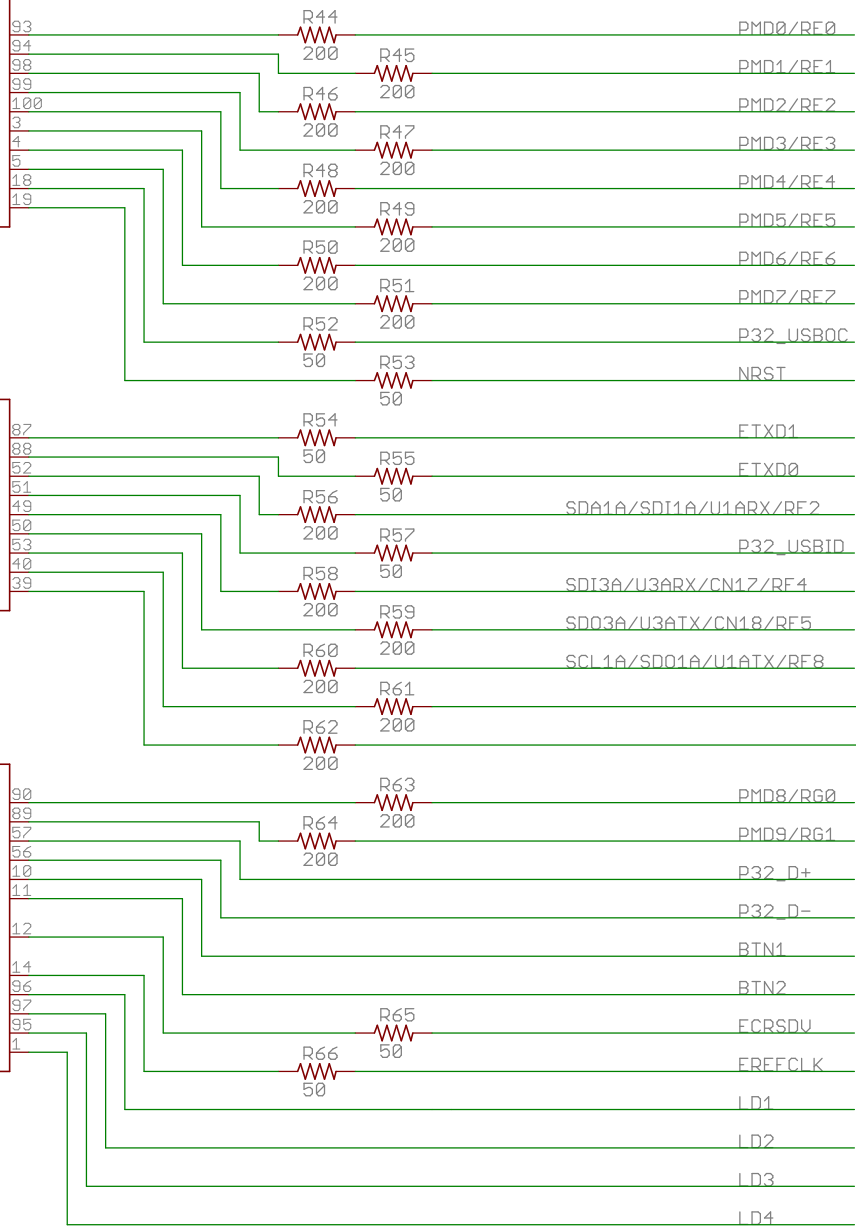
IC1PE



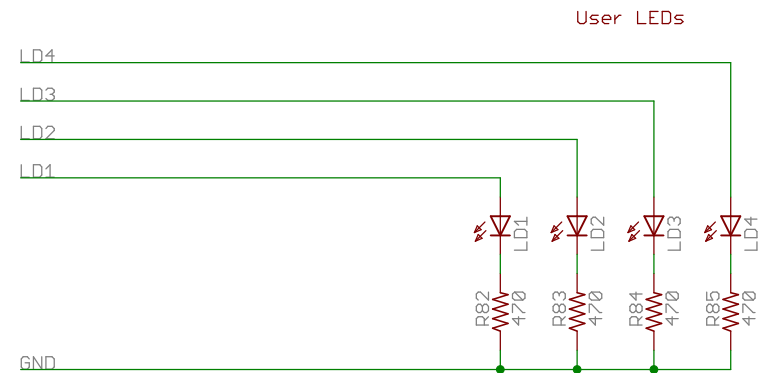
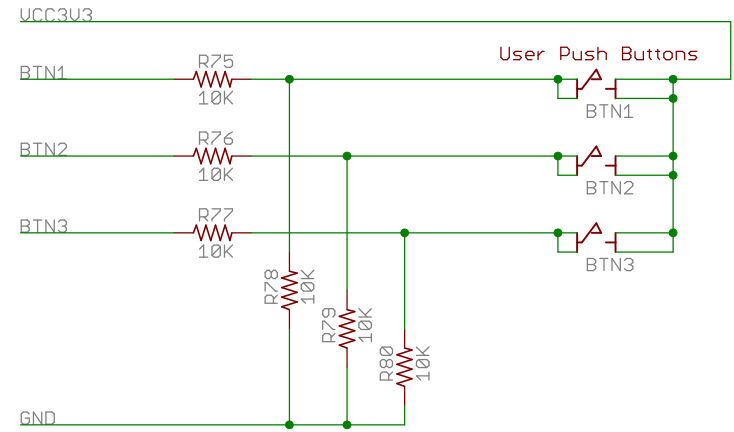
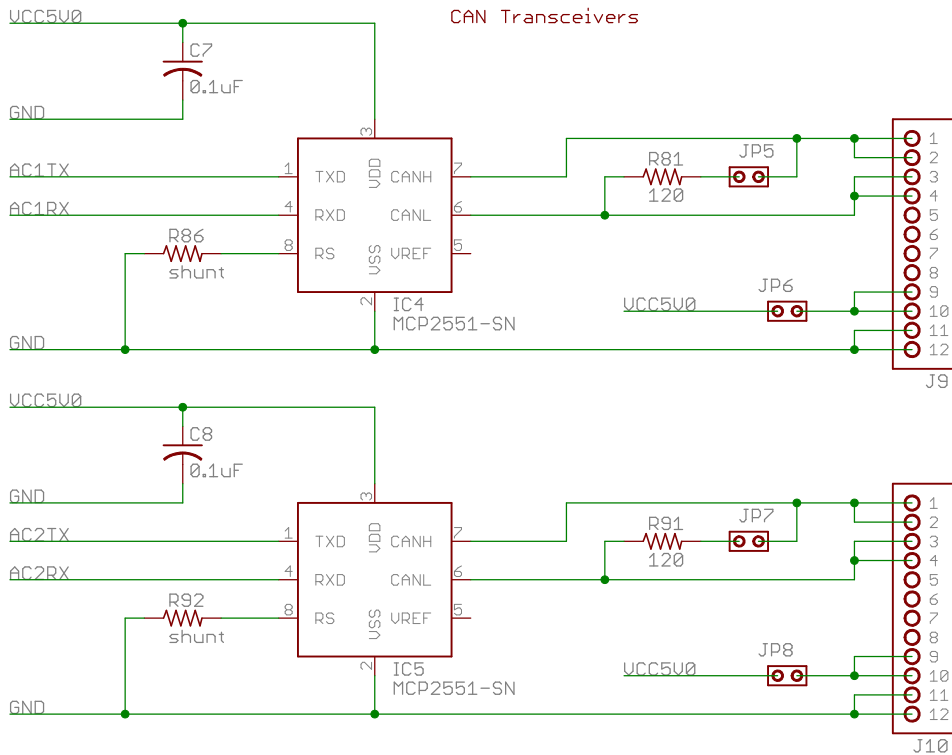
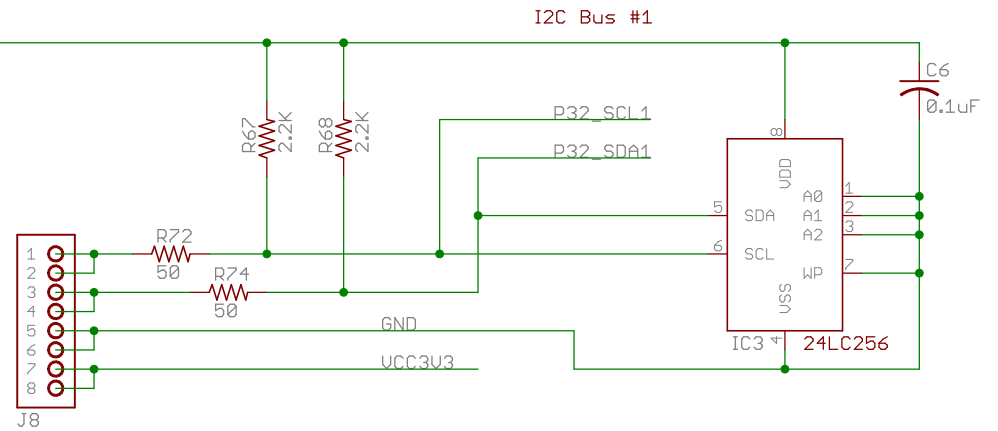
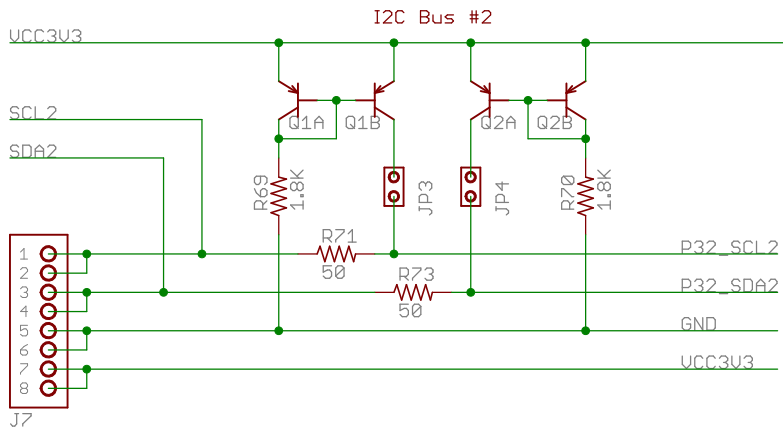
IC1PF



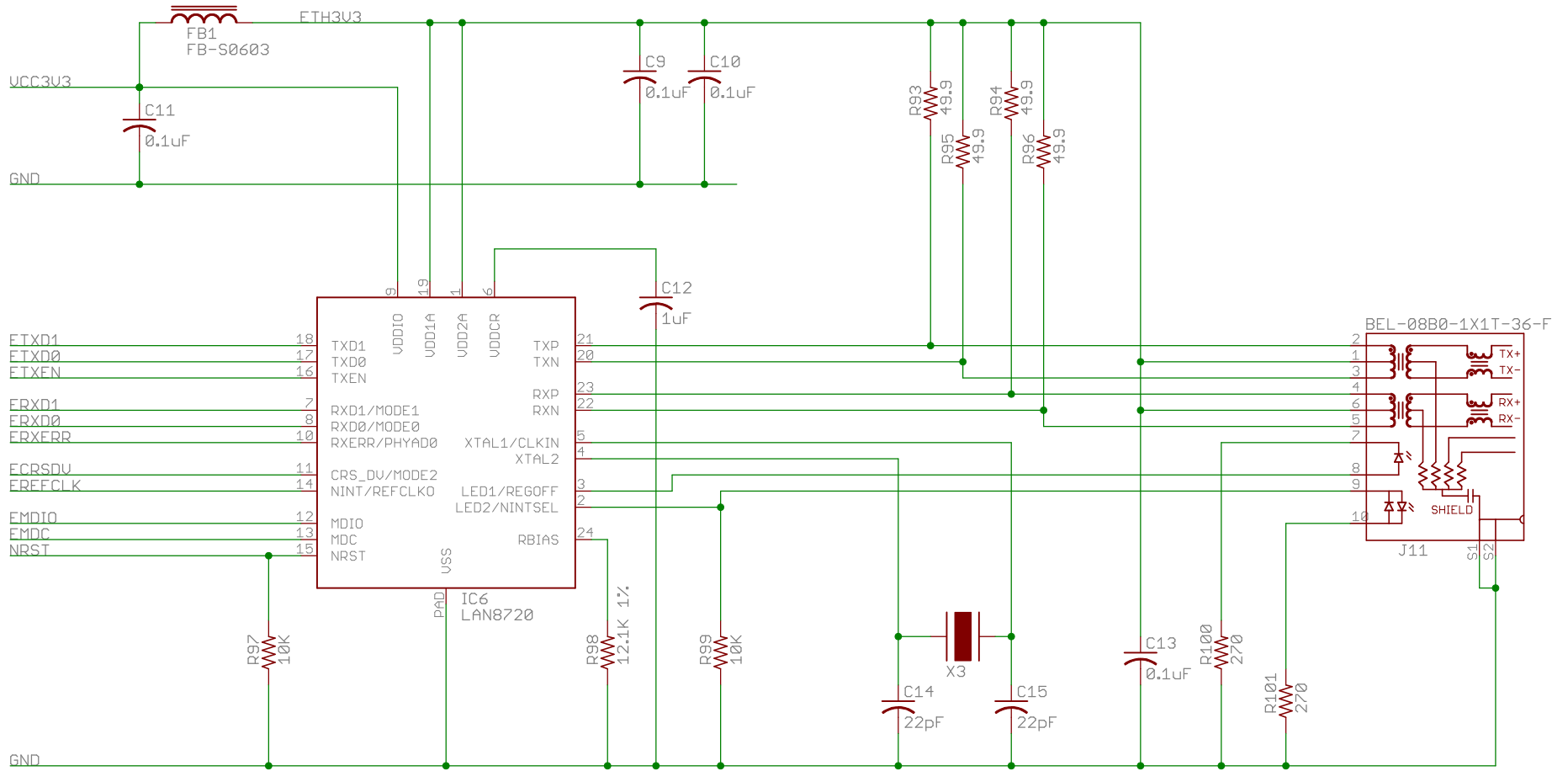
IC1PG



Cerebot 32MX7		Engineer: NEA
Copyright 2010, Digilent Inc.		Author: GA
SHEET: PIC32 Microcontroller		Rev: C
TITLE: Cerebot 32MX7		Date: 10/20/2010
Doc#: 500-186	Date: 10/20/2010	Sheet: 5/9



Cerebot 32MX7		Engineer: NEA
Copyright 2010, Digilent Inc.		Author: GA
SHEET: Misc. I/O		Rev: C
TITLE: Cerebot 32MX7		Doc#: 500-186
Date: 10/20/2010		Sheet: 6/9



### Cerebot 32MX7

Copyright 2010, Digilent Inc.

Engineer: NEA

SHEET: Ethernet PHY and Connector

Author: GA

TITLE: Cerebot 32MX7

Rev: C

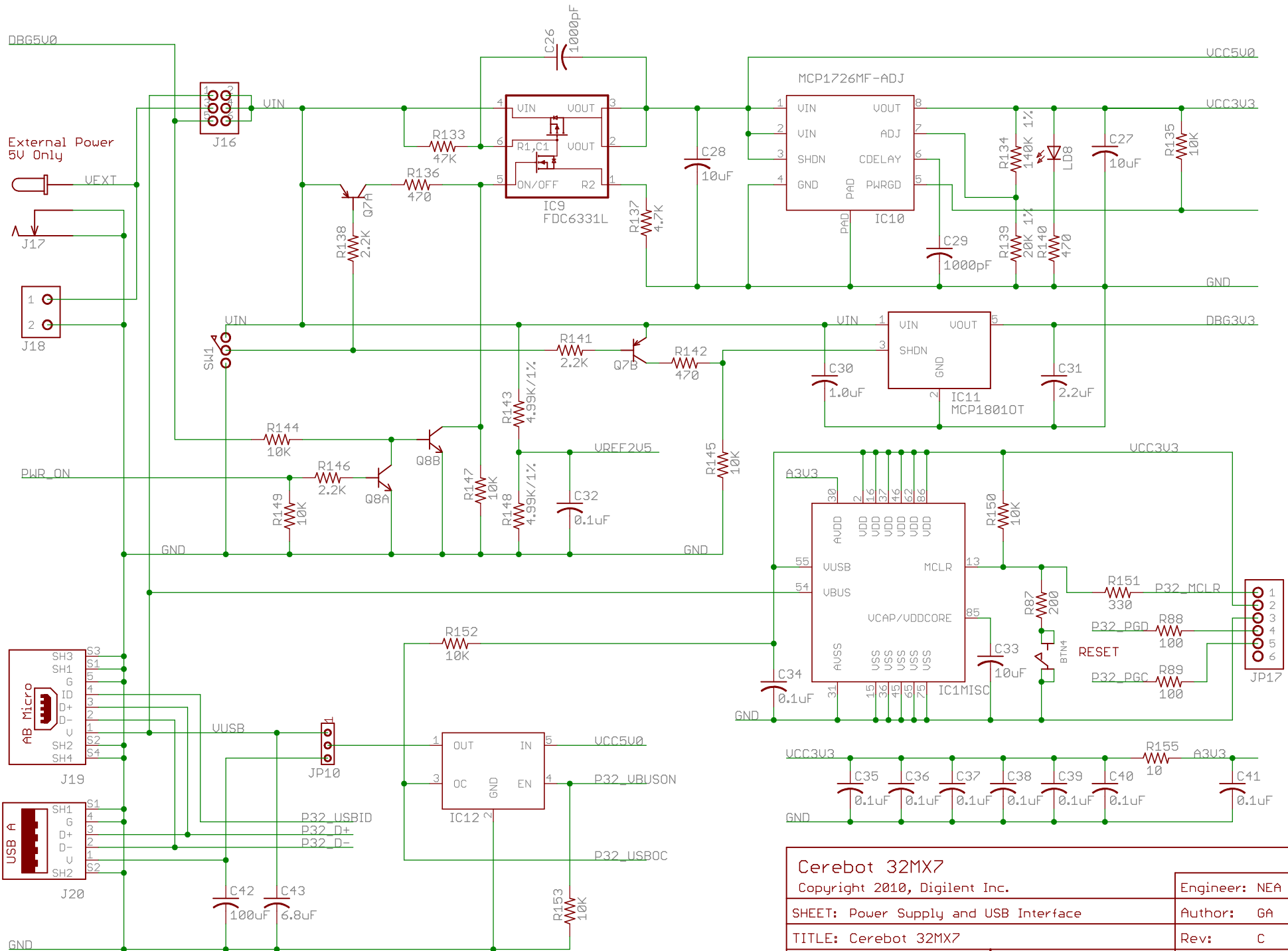
Doc#: 500-186

Date: 10/20/2010

Sheet: 7/9

**This page intentionally left blank.**





<b>Cerebot 32MX7</b>		Engineer: NEA
Copyright 2010, Digilent Inc.		Author: GA
SHEET: Power Supply and USB Interface		Rev: C
TITLE: Cerebot 32MX7		Doc#: 500-186
Date: 10/20/2010		Sheet: 9/9