

W48M- X X X X XX

SWITCH FUNCTION CODE	SWITCH FUNCTION DESCRIPTION
E	MECHANICAL, MOMENTARY, SOLDER TERMINAL
F	MECHANICAL, MAINTAINED, SOLDER TERMINAL
G	MECHANICAL, MOMENTARY, P.C. TERMINAL
H	MECHANICAL, MAINTAINED, P.C. TERMINAL

HOUSING MATERIAL CODE	HOUSING DESCRIPTION
1	STAINLESS STEEL
2	ZINC ALLOY, CHROME PLATED
3	AL ALLOY, ANODIZED BLACK

ILLU. TYPE CODE	ILLUMINATION TYPE DESCRIPTION
1	CENTER SPOT ILLUMINATION
2	RING ILLUMINATION
3	POWER/STANDBY SYMBOL ILLUMINATION

LED COLOR CODE	LED COLOR
A	AMBER
R	RED
Y	YELLOW
B	BLUE
G	GREEN
W	WHITE
RB	RED/BLUE
RG	RED/GREEN

LED INLET VOLTAGE CODE	LED INLET VOLTAGE
IF BLANK*	(SEE NOTE)
05	5V (SEE NOTE3)

MECHANICAL CHARACTERISTICS:
 SWITCH CIRCUITRY: SPST-NO-DB (CONTACT FORM X)
 SWITCH ACTION: MOMENTARY AND MAINTAINED (PER CHART)
 BUTTON TRAVEL: 2.3mm [.090] NOMINAL
 OPERATING FORCE: 306g [3N] NOMINAL
 CONTACT BOUNCE: 1ms NOMINAL
 PANEL THICKNESS: 0.5 - 4.5mm [.020 - .177]
 CONTACTS: GOLD PLATED
 NUT TORQUE FORCE: MAX11.5 kgf-cm [10 LB-in]

ENVIRONMENTAL SPECIFICATIONS:
 ACTUATOR INGRESS PROTECTION: IP67

OPERATING TEMPERATURE:
 NON-ILLUMINATION TYPE: -40°C to +85°C [-40°F to +185°F]
 ILLUMINATION TYPE: -40°C to +85°C [-40°F to +185°F]


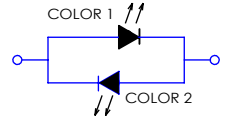
ELECTRICAL SPECIFICATIONS:
 CURRENT RATING:
 MOMENTARY: 250mA@12VDC, 100K cycles
 150mA@28VDC, 150K cycles
 100mA@48VDC, 100K cycles
 10mA@12VDC, 1,000K cycles

MAINTAINED : 50,000 CYCLES NOMINAL

DIELECTRIC STRENGTH: 1,000VAC
 INSULATION RESISTANCE: 1G OHM
 CONTACT RESISTANCE:
 50m OHMS MAX INITIAL

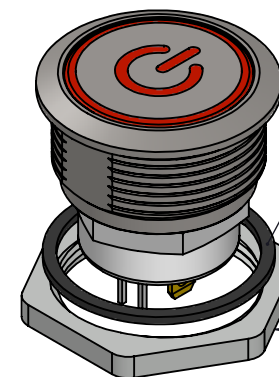
LED SPECIFICATIONS:
 SEE LED SPECIFICATION

NOTE
 1. CURRENT LIMITING RESISTOR IS REQUIRED TO LIMIT LED FORWARD CURRENT TO 20mA
 2. SUPPLY HEX NUT AND SEALING WASHER BULK PACKED.
 3. INNER RESISTOR ONLY FOR LED :RED / BLUE / GREEN / WHITE.

LED SPECIFICATION					
LED CODE	LED SINGLE COLOR	Vf(VDC)	If (mA)	CIRCUITRY	
		TYP.			
R	RED	2.0	20		
A	AMBER	2.0	20		
Y	YELLOW	2.0	20		
G	GREEN	3.0	20		
B	BLUE	3.1	20		
W	WHITE	3.3	20		
LED CODE	BICOLOR LED		Vf(VDC)	If (mA)	CIRCUITRY
	COLOR1	COLOR2	TYP.		
RB	RED	BLUE	2.0(RED) 3.3(BLUE)	20	
RG	RED	GREEN	2.0(RED) 3.4(GREEN)	20	

NOTE:
 Hand Soldering Temperature (4mm above from Body) : 320°C for 3 seconds

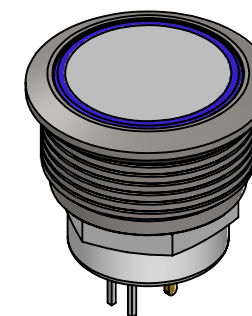
POWER ILLUMINATION



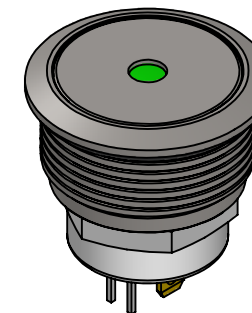
SEALING WASHER
 T=0.8
 (SUPPLIED IN BULK)

SPECIAL HEX NUT
 HEX 22.1, M19*P1.0
 T=2.2
 (SUPPLIED IN BULK)

RING ILLUMINATION



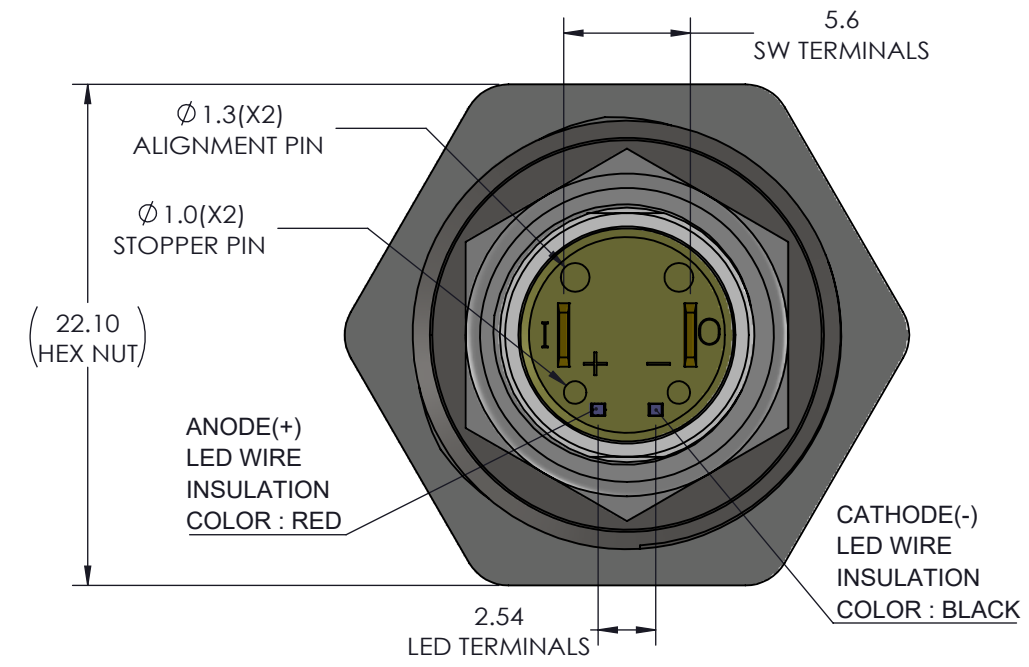
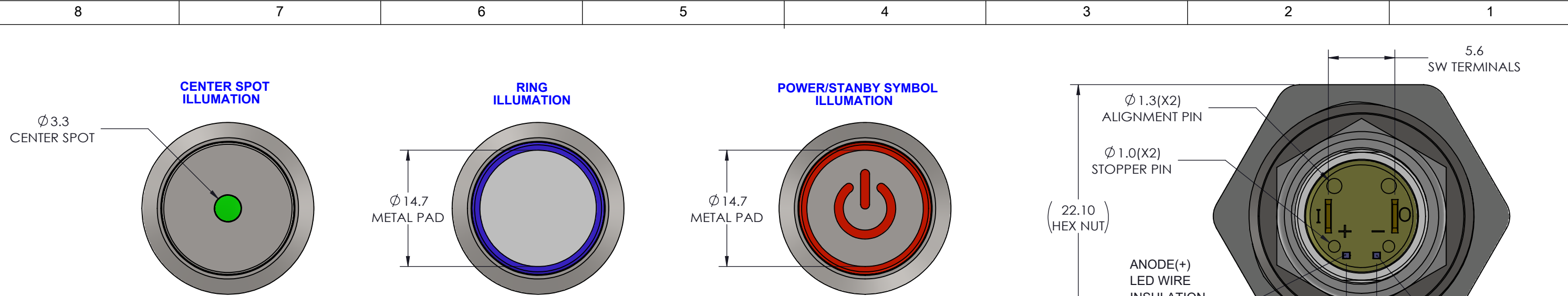
CENTER SPOT ILLUMINATION



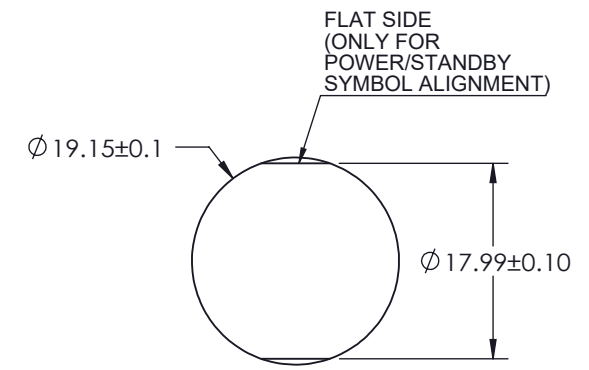
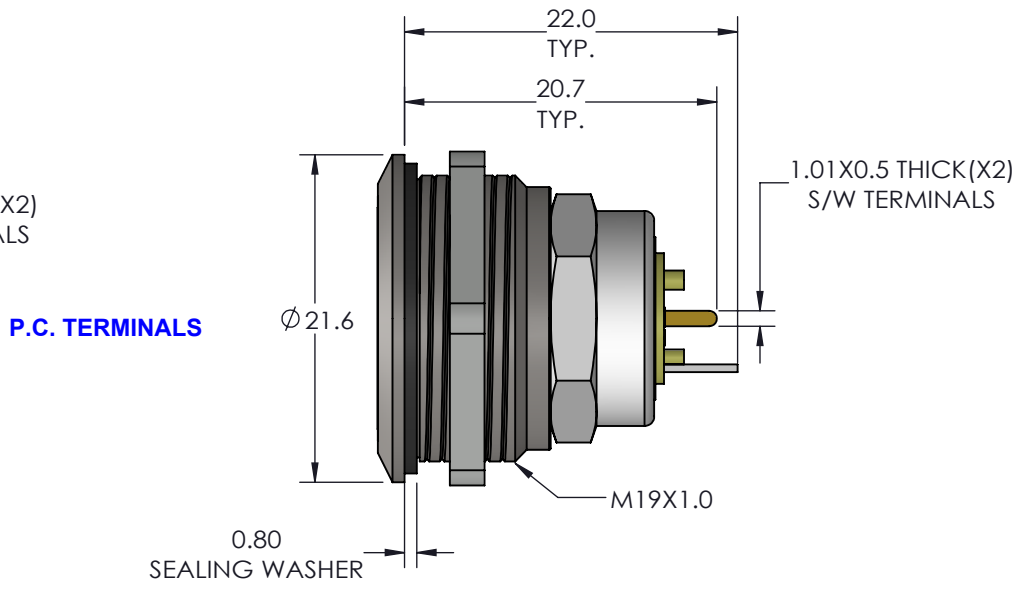
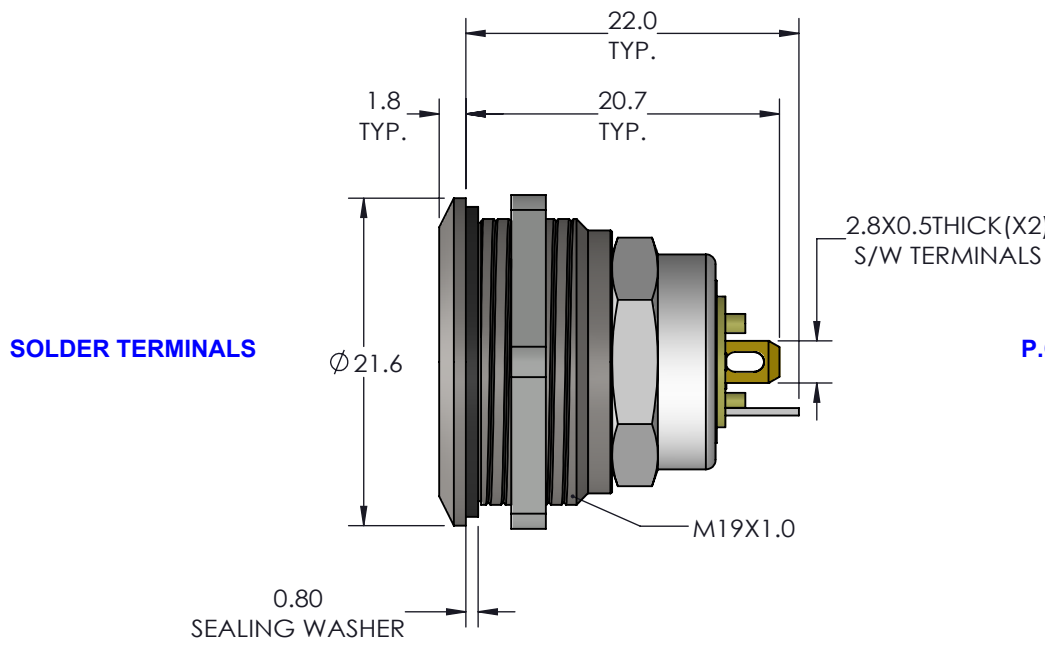
DWG TYPE SALES DRAWING	DRAWN <i>K.Y.</i>	TOLERANCES: UNLESS OTHERWISE NOTED X.X ± 0.5 X.XX ± 0.25 ANGULAR ± 5°	DWG TITLE W48M-MECHANICAL MOMENTARY/MAINTAIN, NONE/CENTER SPOT/ POWER STANDBY SYMBOL ILLUMINATION	
STATUS RELEASE	REVIEW		DWG NO. W48M-E,F,G,H	
<small>This document is the intellectual property of ITW Electronic Business Asia Co., Limited and may contain confidential, proprietary, privileged information protected by law. Neither this document nor any information it contains can be reproduced, transformed to any other format, or distributed, without written permission by ITW Electronic Business Asia Co., Limited. 本文件為安達維百電股份有限公司之智慧財產，非經許可不得翻取、複製、轉變成其他形式使用或散佈。</small>		APPROVED <i>V.W.</i>	THIRD ANGLE PROJECTION 	<input checked="" type="checkbox"/> 管制文件 <input type="checkbox"/> 非管制文件
		DATE 2017/8/26	REF: 48M-1,2,5,6,A,B	



RoHS Compliant SHEET 1 OF 3



DETAIL FOR TERMINAL POSITION



RECOMMENDED PANEL CUT-OUT

DWG TYPE SALES DRAWING	DRAWN <i>K.Y.</i>	TOLERANCES: UNLESS OTHERWISE NOTED X.X ± 0.5 X.XX ± 0.25 ANGULAR ± 5°	DWG TITLE W48M-MECHANICAL MOMENTARY/MAINTAIN, NONE/CENTER SPOT/ POWER STANDBY SYMBOL ILLUMINATION							
STATUS RELEASE	REVIEW	APPROVED <i>v.w.</i>	DWG NO. W48M-E,F,G,H							
<small>This document is the intellectual property of ITW Electronic Business Asia Co., Limited and may contain confidential, proprietary, privileged information protected by law. Neither this document nor any information it contains can be reproduced, transformed to any other format, or distributed, without written permission by ITW Electronic Business Asia Co., Limited. 本文作為安泰維百電股份有限公司之智慧財產，非經許可不得擷取、複製、轉變成其他形式使用或散佈。</small>			DATE 2017/8/26	REF: 48M-1,2,5,6,A,B	<input checked="" type="checkbox"/> 管制文件 <input type="checkbox"/> 非管制文件	Unit mm	SCALE 3:2	REV 2	RoHS Compliant	SHEET 2 OF 3