

NOTES:

1. MATERIAL AND FINISHES:

- FERRULE - BRASS, NICKEL PLATING
- RING - DELRIN, NATURAL
- RETAINER RING - BRASS, NICKEL PLATING
- GASKET - SILICONE RUBBER, RED
- BODY - BRASS, NICKEL PLATING
- CONTACT - BRASS, GOLD PLATING
- INSULATOR - PTFE, NATURAL

2. ELECTRICAL:

- A. IMPEDANCE: 50 OHM
- B. FREQUENCY RANGE: 0-11 GHz

3. MECHANICAL:

- A. DURABILITY: 500 CYCLES MIN.
- B. TEMPERATURE RANGE: -40°C TO +85°C

4. CRIMPED FERRULE HEX CRIMP SIZE .429"

5. CRIMPED CONTACT PIN HEX CRIMP SIZE .100"

6 SHOWS CABLE ENTRY DIMENSIONS

7. PACKAGING:

- A. QUANTITY: SINGLE PACK
- B. BAG TO BE MARKED: AMPHENOL RF  
31-6140  
T1121A6-NT3G-213U-50  
DATE CODE

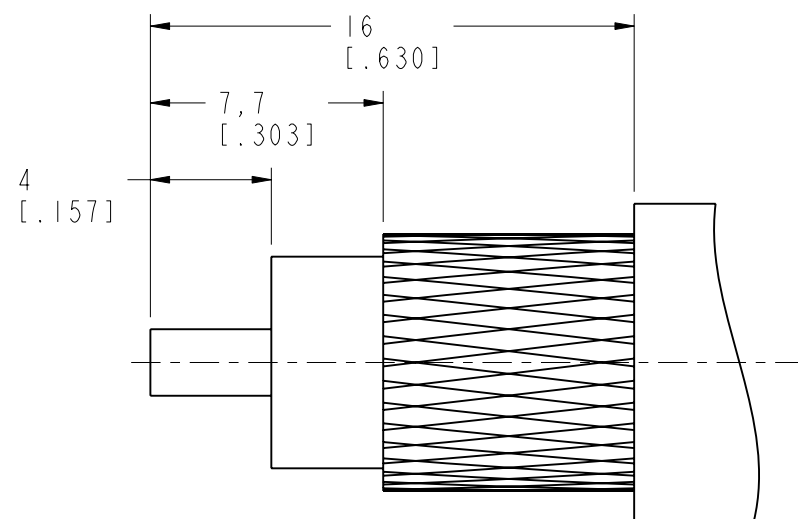
THIRD ANGLE PROJ.

REVISIONS

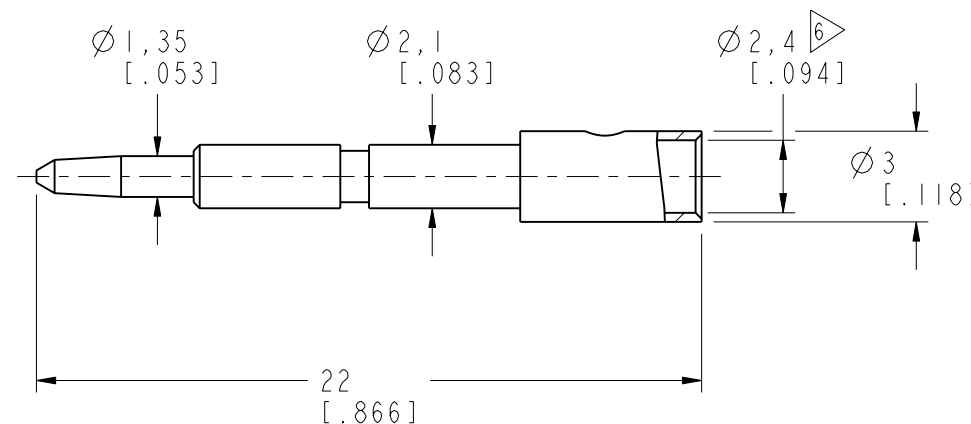
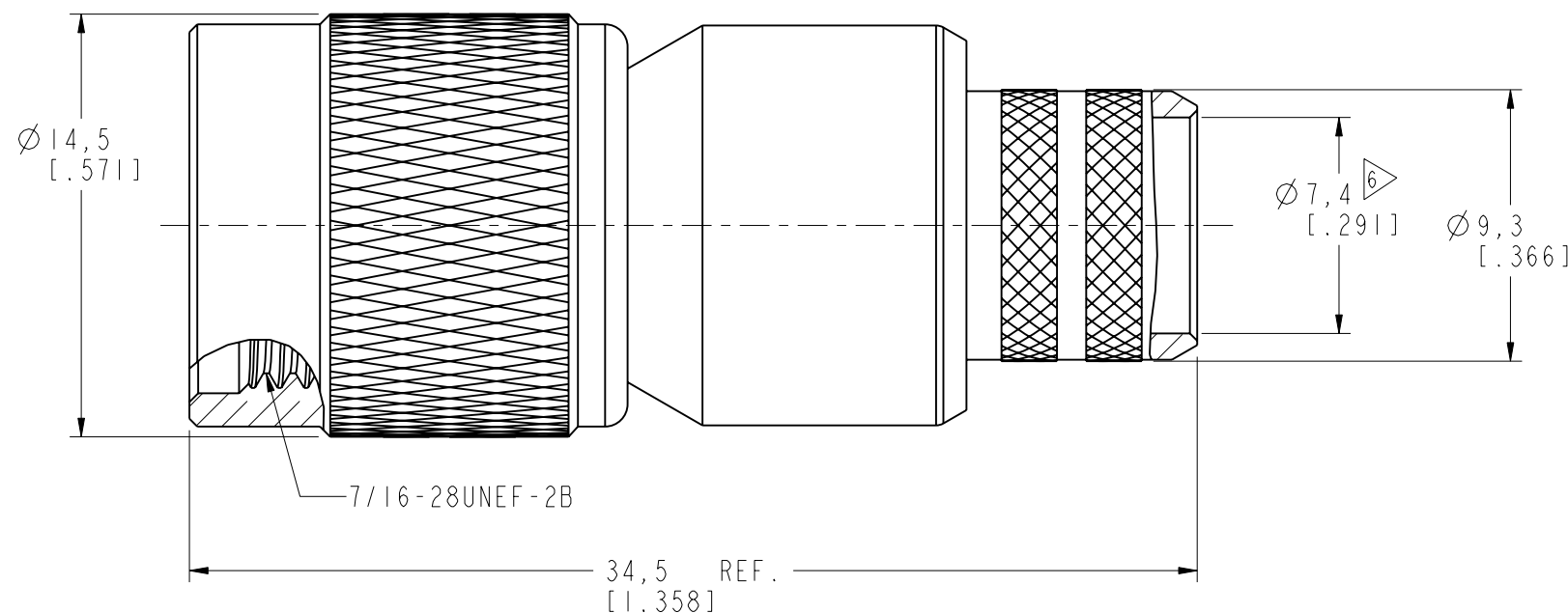
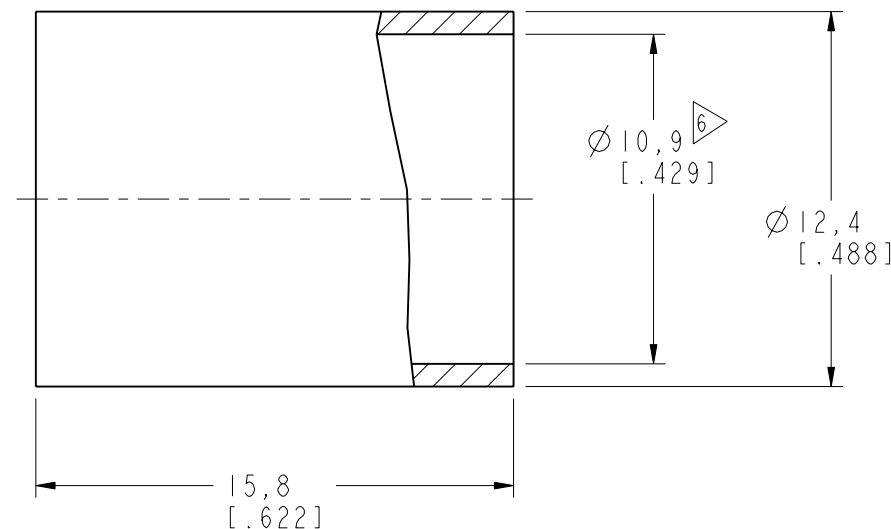
REV	DESCRIPTION	DATE	ECO	APPR
A	RELEASE TO MFG.	29-Aug-06	46221	CPM/
B	SYNC, UPDATED DRAWING FORMAT\N/A	11-Jan-16	50962	SH



SCALE 1.000



RECOMMENDED  
CABLE STRIPPING DIM'S



**CUSTOMER OUTLINE DRAWING**

ALL OTHER SHEETS ARE FOR INTERNAL USE ONLY

<p>UNLESS OTHERWISE SPECIFIED, DIMENSIONS ARE IN METRIC AND TOLERANCES ARE:                  &lt;0.5mm ±0.05mm    0.5 - 6mm ±0.1mm    6 - 30mm ±0.2mm    30 - 120mm ±0.3mm    ANGLES ±1°</p> <p>NOTICE - These drawings, specifications, or other data (1) are, and remain the property of Amphenol corp. (2) must be returned upon request; and (3) are confidential and not to be disclosed to any person other than those to whom they are given by Amphenol Corp. the furnishing of these drawings, specifications, or other data by Amphenol Corp., or to any other person to anyone for any purpose is not to be regarded by implication or otherwise in any manner licensing, granting rights to permitting such holder or any other person to manufacture, use or sell any product, process or design, patented or otherwise, that may in any way be related to or disclosed by said drawings, specifications, or other data.</p>	MATERIAL	DRAWN M. ZHANG	DATE 07-Jan-16	<p>TITLE TNC CRIMP PLUG (FOR BELDEN 8/U, 213/U CABLE)</p> <p>SCALE: 4.0:1.0   SHEET 2 OF 3</p>	<p>Amphenol RF www.amphenolrf.com</p>
	REFERENCE AND CONFIGURATION LEVEL: In Work	ENGINEER TONY	DATE 02-Aug-02		
FINISH	APPROVED S. HSIEH	DATE 07-Jan-16	CAD FILE	DWG SIZE B	REV B
					ITEM NO. 021121AAB25NA5F
					PART NO. 31-6140