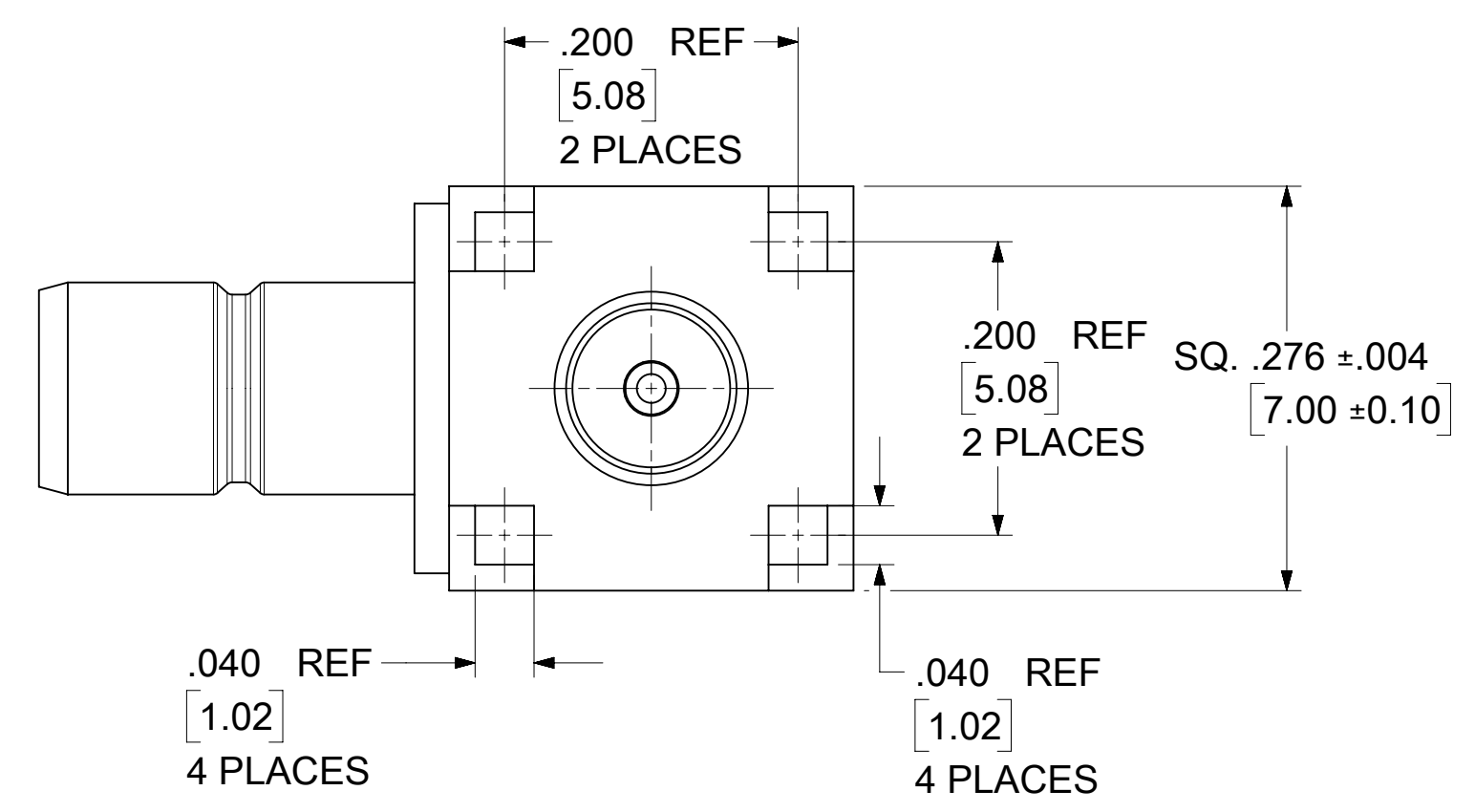
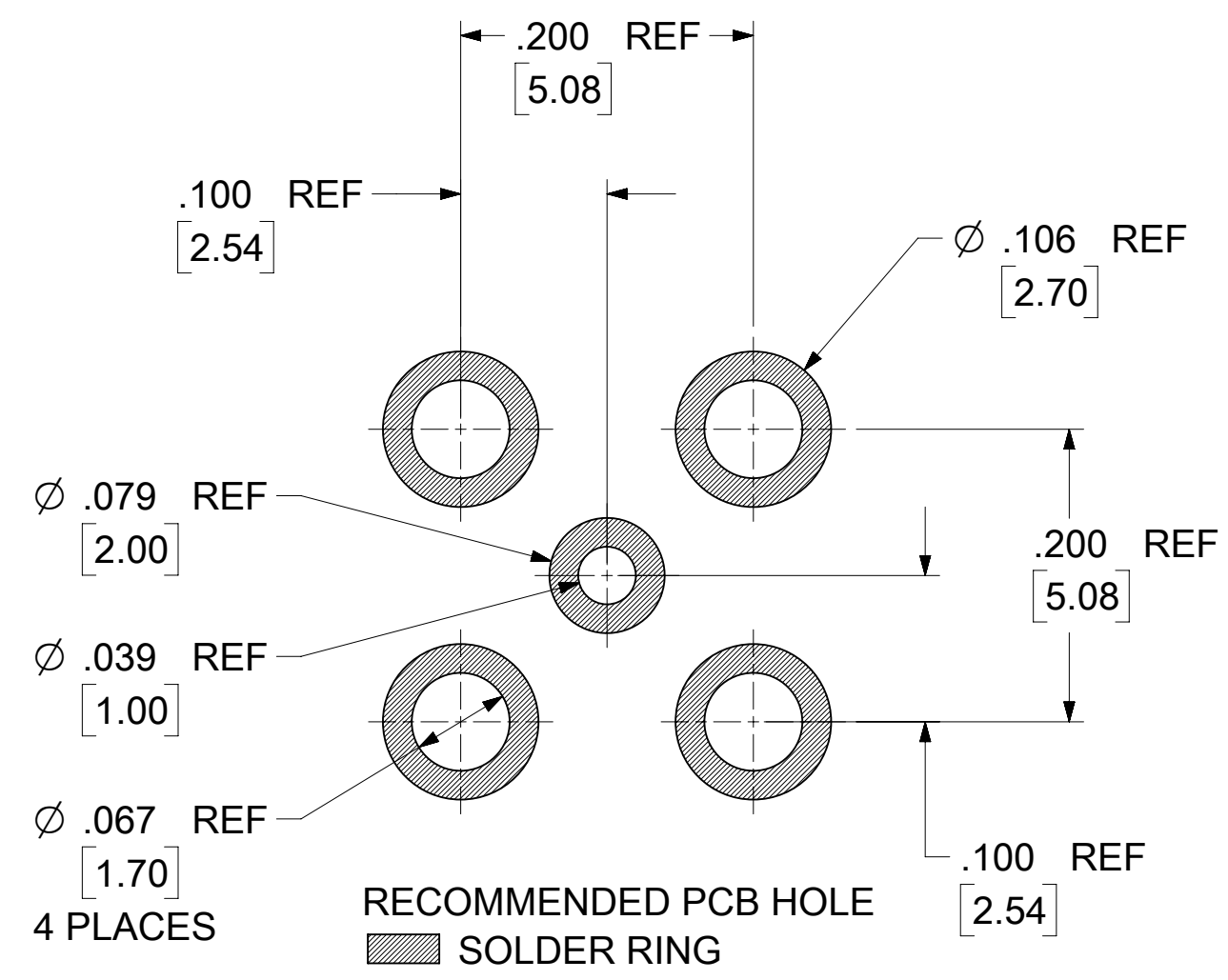
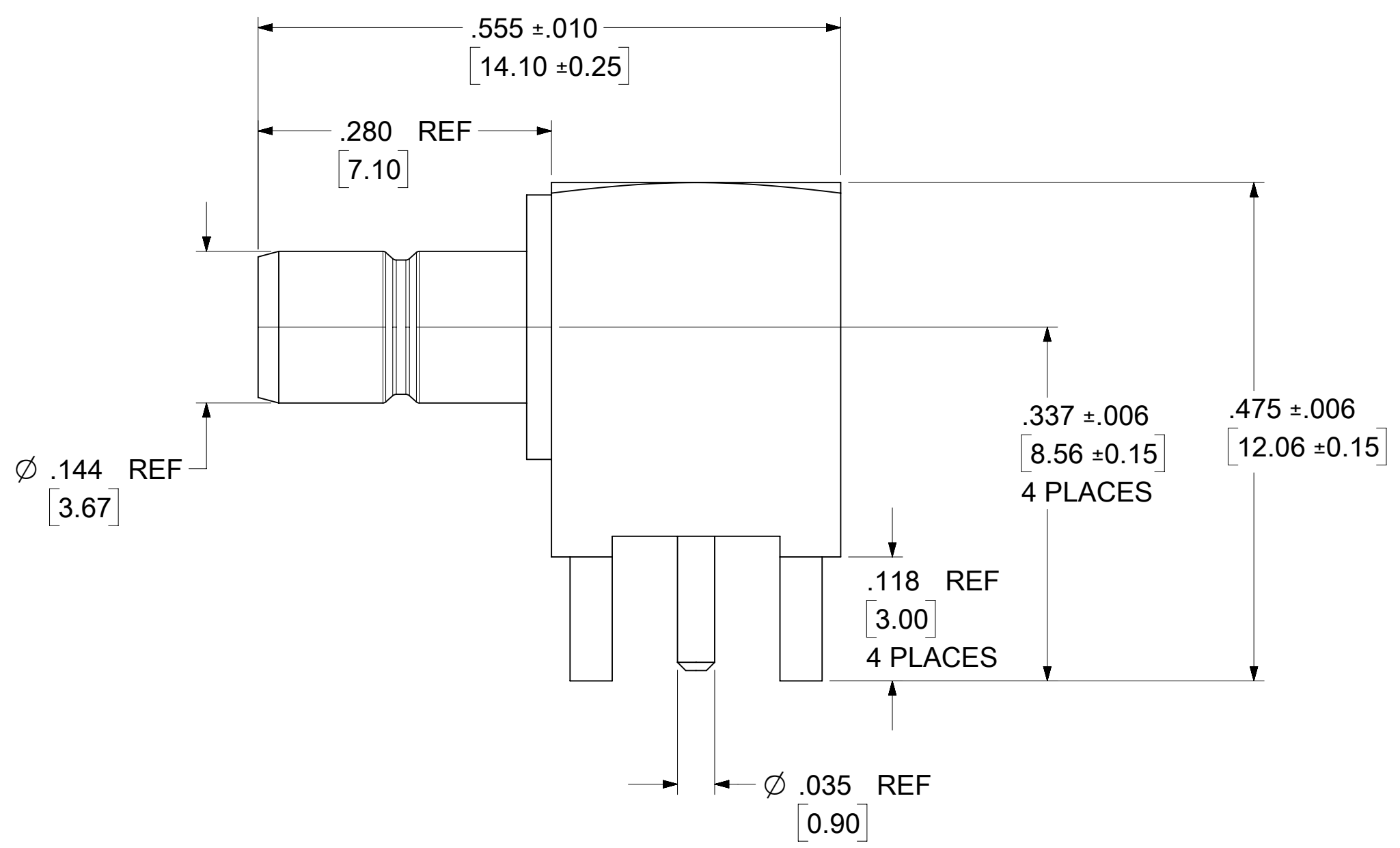
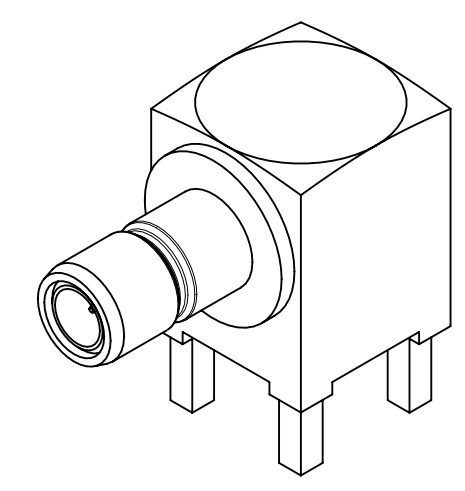


MATERIALS AND FINISHES:

BODY, HOUSING: BRASS  
PLATED GOLD

CENTER CONTACT: BRASS  
PLATED GOLD

INSULATOR: TEFLON



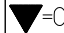
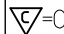
73396-0580	SMALL TRAY (20 PCS PER TRAY)	895420200
73404-2280	73100-0103, ONE PER BAG	895420089
73100-0103	TRAY (80 PCS PER TRAY)	895420040
PART NO.	PACKAGING	PACKING SPEC

RF LEAKAGE AND VSWR ARE NOT APPLICABLE IN PS-73598-0099

PS-73598-0099	PRODUCT SPECIFICATION
SPECIFICATION	DESCRIPTION

FUNCTIONAL SYMBOLS	THIS DRAWING CONTAINS INFORMATION THAT IS PROPRIETARY TO MOLEX ELECTRONIC TECHNOLOGIES, LLC AND SHOULD NOT BE USED WITHOUT WRITTEN PERMISSION			
	DIMENSION UNITS	SCALE		
$\frac{F}{A} = 0$ $\frac{F}{C} = 0$ $\frac{F}{P} = 0$	IN/MM	NTS	CURRENT REV DESC: ADD PACKING SPEC PER EWR15423-A	
DIVISIONAL SYMBOLS	GENERAL TOLERANCES (UNLESS SPECIFIED)		EC NO: 720546	
	ANGULAR TOL ± 2.0°		DRWN: CWEI02	2022/09/07
4 PLACES ±			CHK'D: YCHENG	2022/09/08
3 PLACES ±			APPR: YCHENG	2022/09/08
2 PLACES ± 0.25			INITIAL REVISION:	
1 PLACE ±			DRWN: RFC_PLMIMP	2017/10/31
0 PLACES ±			APPR: JWIENER	2007/05/01
DRAFT WHERE APPLICABLE MUST REMAIN WITHIN DIMENSIONS		THIRD ANGLE PROJECTION	DRAWING	SERIES
			C-SIZE	73100
DOCUMENT STATUS		DOC TYPE	DOC PART	REVISION
P1	RELEASE DATE	PSD	001	C6
2022/09/08 07:11:07	SEE TABLE	GENERAL MARKET	1 OF 1	

DETAIL DRAWING REFER TO 73100-0103

CHG: ADD SMALL TRAY FOR 73100-0103 EC NO: URF2007-0306 2007/02/08 DRWNSCHOU 2007/02/09 CHKD: 2007/02/09 APPR: MHUANG 2007/02/09 A	QUALITY SYMBOLS  = 0  = 0	GENERAL TOLERANCES (UNLESS SPECIFIED) <table border="1"> <thead> <tr> <th></th> <th>mm</th> <th>INCH</th> </tr> </thead> <tbody> <tr> <td>4 PLACES</td> <td>± .005</td> <td>± .0008</td> </tr> <tr> <td>3 PLACES</td> <td>± .005</td> <td>± .0008</td> </tr> <tr> <td>2 PLACES</td> <td>± .005</td> <td>± .0008</td> </tr> <tr> <td>1 PLACE</td> <td>± .005</td> <td>± .0008</td> </tr> </tbody> </table> ANGULAR ± 2 °		mm	INCH	4 PLACES	± .005	± .0008	3 PLACES	± .005	± .0008	2 PLACES	± .005	± .0008	1 PLACE	± .005	± .0008	DIMENSION STYLE MM/IN DRAWN BY DATE JOYCE 2007/01/31 CHECKED BY DATE KERRIE 2007/01/31 APPROVED BY DATE MISEN 2007/01/31	SCALE DESIGN UNITS METRIC THIRD ANGLE PROJECTION	TITLE SMB JACK, R/A RECEPTACLE, PCB 50 OHMS, SMB-J/PCB MOLEX INCORPORATED	MATERIAL NO. 733960580 SIZE C	DOCUMENT NO. SD-73396-058	SHEET NO. 1 OF 1
		mm	INCH																				
	4 PLACES	± .005	± .0008																				
	3 PLACES	± .005	± .0008																				
2 PLACES	± .005	± .0008																					
1 PLACE	± .005	± .0008																					
DRAFT WHERE APPLICABLE MUST REMAIN WITHIN DIMENSIONS		THIS DRAWING CONTAINS INFORMATION THAT IS PROPRIETARY TO MOLEX INCORPORATED AND SHOULD NOT BE USED WITHOUT WRITTEN PERMISSION																					