

6

5

4

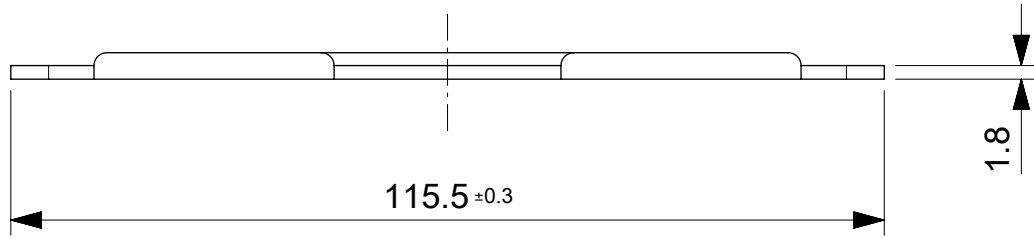
3

2

1

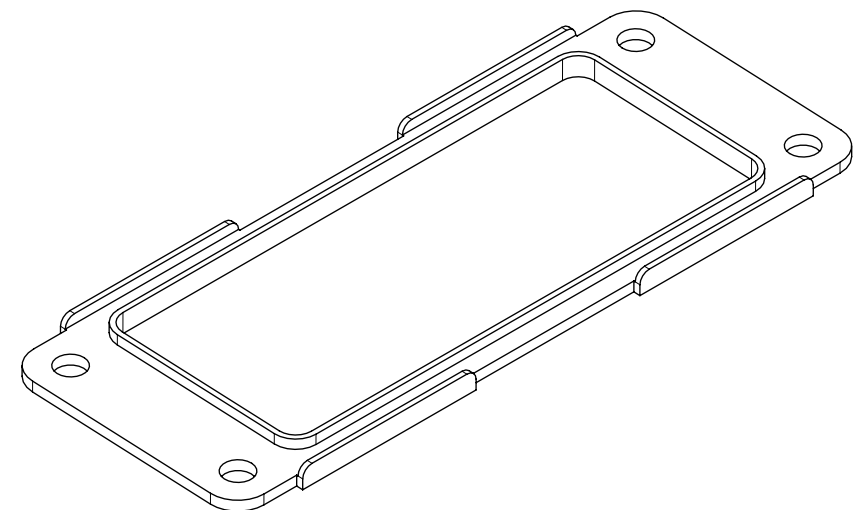
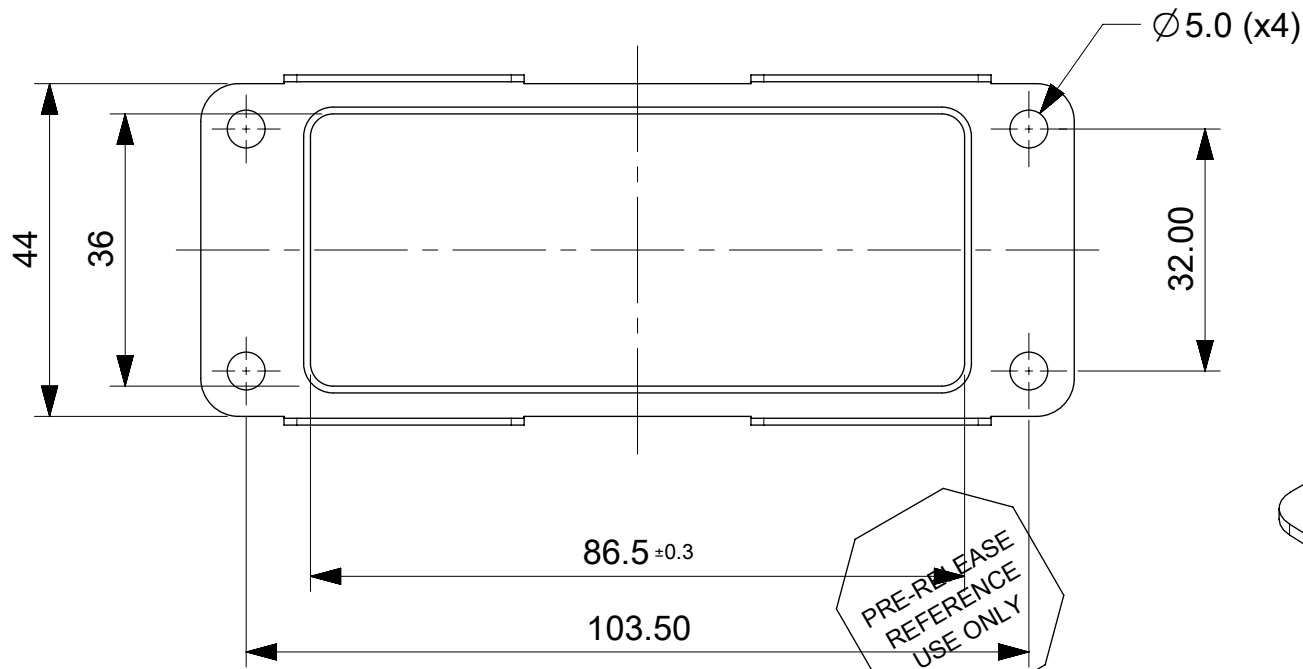
D

D



C

C



B

B

A

A

THIS DRAWING CONTAINS INFORMATION THAT IS PROPRIETARY TO MOLEX ELECTRONIC TECHNOLOGIES, LLC AND SHOULD NOT BE USED WITHOUT WRITTEN PERMISSION									
DIMENSION UNITS		SCALE		CURRENT REV DESC:					
mm		1:1		molex 5871.1854.X 16B BOTTOM GASKET FOR BULKHEAD HOUSING PRODUCT CUSTOMER DRAWING					
GENERAL TOLERANCES (UNLESS SPECIFIED)									
ANGULAR TOL ± 1.0°									
4 PLACES	±								
3 PLACES	±								
2 PLACES	± 0.1			EC NO:		2021/03/22 2021/04/01			
1 PLACE	± 0.2			DRWN: AKABADI					
0 PLACES	± 0.3			CHK'D: DMERONI					
DRAFT WHERE APPLICABLE MUST REMAIN WITHIN DIMENSIONS				FIRST ANGLE PROJECTION		DRAWING		SERIES	
						A4-SIZE		93607	
						MATERIAL NUMBER		CUSTOMER	
						936070059		GENERAL MARKET	
						DOCUMENT NUMBER		REVISION	
						936070059		A	
						DOC TYPE		DOC PART	
						PSD		000	
								SHEET NUMBER	
								1 OF 1	

DOCUMENT STATUS	RV	RELEASE DATE	
-----------------	----	--------------	--

6

5

4

3

2

1

FORMAT: master-ib-prod-A4
REVISION: J
DATE: 2020/01/14