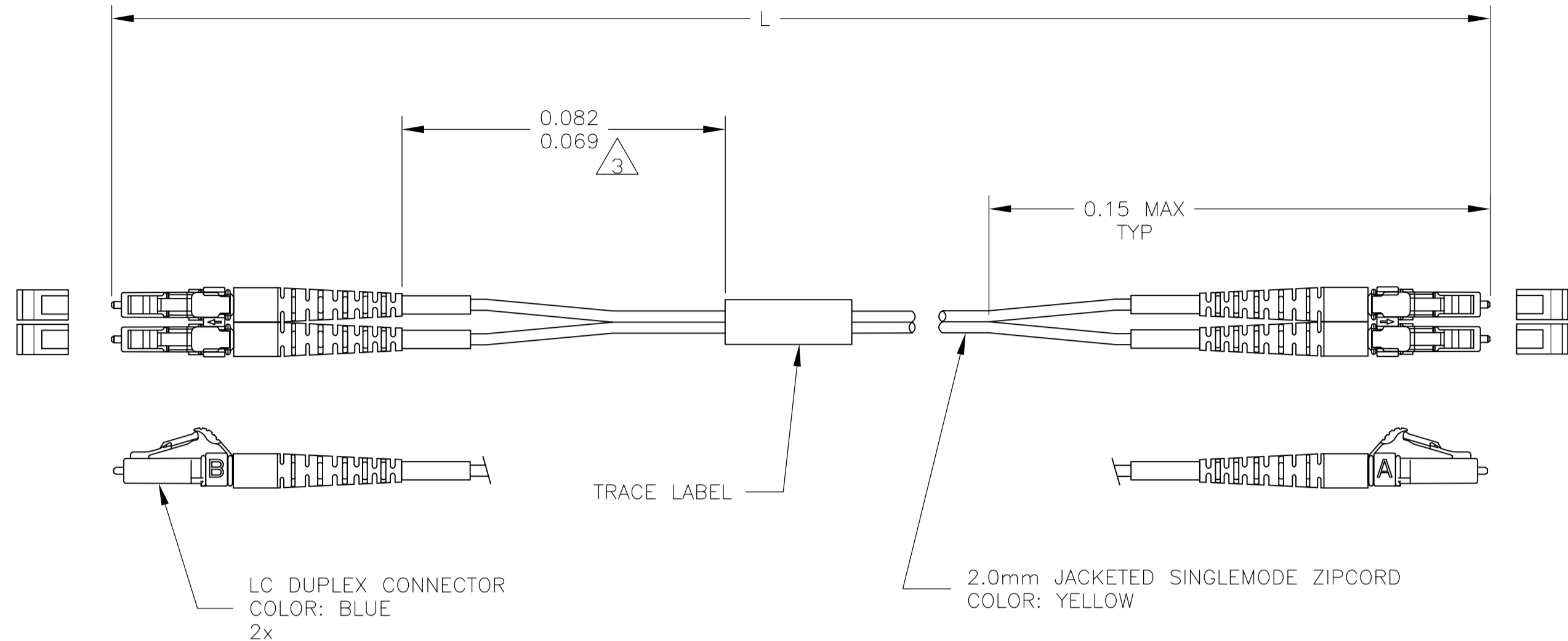


LOC	DIST	REVISIONS					
		P	LTR	DESCRIPTION	DATE	OWN	APVD
CE	-	B		ECR-14-005959	24APR14	HZ	RZ



Δ	0.21	0.500±0.03	[19.69±1.18]	9-2064853-9
Δ	0.21	0.508±0.03	[20.00±1.18]	9-2064853-3
Δ	0.21	0.305±0.03	[12.00±1.18]	9-2064853-2
Δ	0.21	0.229±0.03	[9.00±1.18]	9-2064853-1
	0.24	50.00±0.50	[1969.0±20.0]	5-2064853-0
	0.23	40.00±0.40	[1575.0±16.0]	4-2064853-0
	0.23	39.00±0.39	[1535.4±15.0]	3-2064853-9
	0.23	38.00±0.38	[1496.1±15.0]	3-2064853-8
	0.23	37.00±0.37	[1456.7±15.0]	3-2064853-7
	0.22	36.00±0.36	[1417.3±14.0]	3-2064853-6
	0.22	35.00±0.35	[1377.9±14.0]	3-2064853-5
	0.22	34.00±0.34	[1338.6±13.0]	3-2064853-4
	0.22	33.00±0.33	[1299.2±13.0]	3-2064853-3
	0.22	32.00±0.30	[1259.8±12.0]	3-2064853-2
	0.22	31.00±0.30	[1220.5±12.0]	3-2064853-1
	0.22	30.00±0.30	[1181.0±12.0]	3-2064853-0
	0.22	29.00±0.30	[1141.7±12.0]	2-2064853-9
	0.22	28.00±0.30	[1102.4±12.0]	2-2064853-8
	0.22	27.00±0.30	[1063.0±12.0]	2-2064853-7
	0.22	24.00±0.30	[944.9±12.0]	2-2064853-6
	0.22	25.00±0.30	[984.2±12.0]	2-2064853-5
	0.22	24.00±0.30	[944.9±12.0]	2-2064853-4
	0.22	23.00±0.30	[905.5±12.0]	2-2064853-3
	0.22	22.00±0.30	[866.1±12.0]	2-2064853-2
	0.21	21.00±0.30	[826.8±12.0]	2-2064853-1
	0.21	20.00±0.30	[787.0±12.0]	2-2064853-0
	0.21	19.00±0.30	[748.0±12.0]	1-2064853-9
	0.21	18.00±0.30	[708.7±12.0]	1-2064853-8
	0.21	17.00±0.17	[669.3±7.0]	1-2064853-7
	0.21	16.00±0.16	[629.9±7.0]	1-2064853-6
	0.21	15.00±0.15	[590.6±6.0]	1-2064853-5
	0.21	14.00±0.15	[551.2±6.0]	1-2064853-4
	0.21	13.00±0.15	[511.8±6.0]	1-2064853-3
	0.21	12.00±0.15	[472.4±6.0]	1-2064853-2
	0.21	11.00±0.15	[433.1±6.0]	1-2064853-1
	0.21	10.00±0.15	[394±6.0]	1-2064853-0
	0.20	9.00±0.15	[354.6±6.0]	2064853-9
	0.20	8.00±0.15	[315.0±6.0]	2064853-8
	0.20	7.00±0.08	[275.6±3.0]	2064853-7
	0.20	6.00±0.08	[236.2±3.0]	2064853-6
	0.20	5.00±0.08	[196.9±3.0]	2064853-5
	0.20	4.00±0.08	[157.5±3.0]	2064853-4
Δ	0.20	3.00±0.05	[118.1±2.0]	2064853-3
Δ	0.20	2.00±0.05	[78.7±2.0]	2064853-2
Δ	0.20	1.00±0.05	[39.4±2.0]	2064853-1

- 1 MAXIMUM CONNECTOR INSERTION LOSS IS 0.2dB PLUS CABLE ATTENUATION OF 0.7dB/km AT 1310nm. (SEE TABLE)
- 2 MINIMUM RETURN LOSS AT 1310nm: 55dB. RETURN LOSS NOT REQUIRED FOR ASSEMBLIES <= 3 METERS.
- 3 FOR C/A LESS THAN 0.6M, ATTACH THE LABEL IN THE MIDDLE.
- 4. PRODUCT AND PROCESSING MUST MEET REQUIREMENTS OF TEC-138-702.

INSERTION LOSS (dB) Δ	L METERS [INCHES]	PART NUMBER
-----------------------	-------------------	-------------

THIS DRAWING IS A CONTROLLED DOCUMENT.		DWN B.BRIGGS 12MAY2010	STE TE Connectivity	
		CHK J.DUNCAN 12MAY2010		
DIMENSIONS: METERS [INCHES]		APVD J.DUNCAN 12MAY2010	NAME CABLE ASSEMBLY, FIBER OPTIC, SINGLEMODE LDD ZIP, LC DUPLEX	
TOLERANCES UNLESS OTHERWISE SPECIFIED: 0 PLC ± - 1 PLC ± - 2 PLC ± - 3 PLC ± - 4 PLC ± - ANGLES ± - FINISH		PRODUCT SPEC APPLICATION SPEC	RESTRICTED TO	
MATERIAL		WEIGHT	SIZE A2	CAGE CODE 00779
		CUSTOMER DRAWING	DRAWING NO G-2064853	REV B
		SCALE NTS	SHEET 1 of 1	REV B