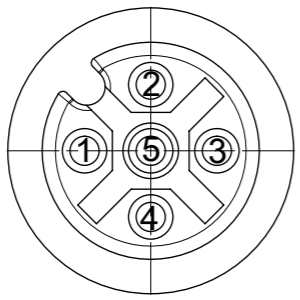
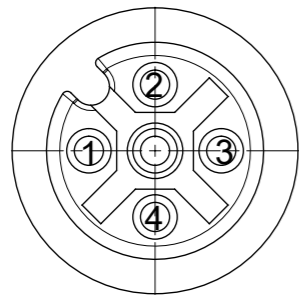
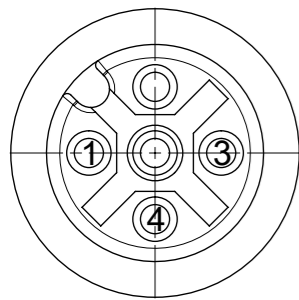


M12 FEMALE FACE VIEW

3 POLE

4 POLE

5 POLE



Pin	Wire color
1	BROWN
3	BLUE
4	BLACK

Pin	Wire color
1	BROWN
2	WHITE
3	BLUE
4	BLACK

Pin	Wire color
1	BROWN
2	WHITE
3	BLUE
4	BLACK
5	GREY

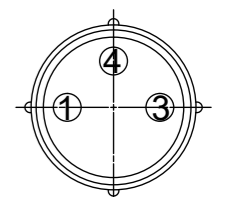
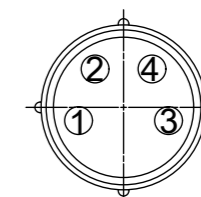
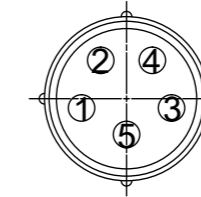
Temperature Range	-25°C /+80°C
Contact Current Rating	3A
Voltage Rating	3 Poles 60V
	4 & 5 Poles 30V
Protection class	IP 67

M8 MALE FACE VIEW

5 POLE

4 POLE

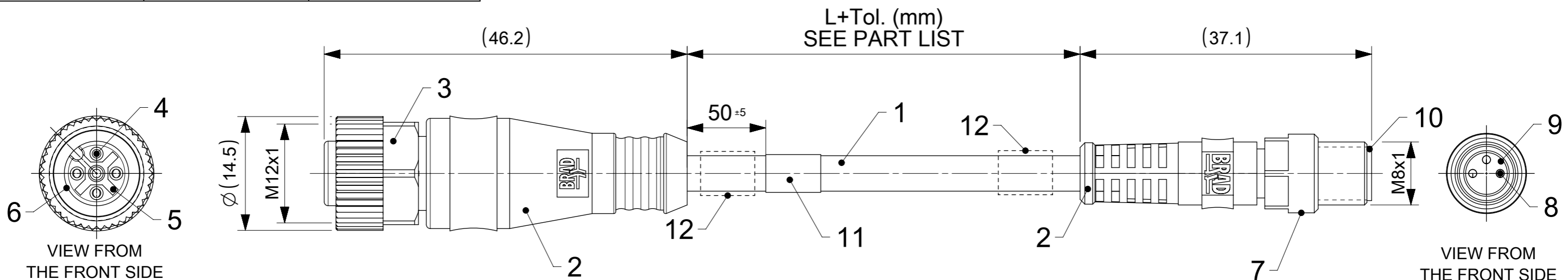
3 POLE



Pin	Wire color
1	BROWN
2	WHITE
3	BLUE
4	BLACK
5	GREY

Pin	Wire color
1	BROWN
2	WHITE
3	BLUE
4	BLACK

Pin	Wire color
1	BROWN
3	BLUE
4	BLACK



ITEM	QTY.	DESCRIPTION	MATERIAL	FINISH
12	2	ID CARRIER (SEE MATRIX)	PVC	-
11	1	STANDARD WRAP LABEL YE	VINYL	-
10	1	M8 MALE SLEEVE	BRASS	Ni-PLATED
9	1	INSERT M8 MALE XP BK	ELASTOLLAN	-
8	X	CONTACT MALE	BRASS	Ni-PLATED
7	1	M8 HEX KNU MALE NUT	BRASS	Ni-PLATED
6	1	GASKET RD	FPM	-
5	1	INSERT M12 FEMALE XP BK	ELASTOLLAN	-
4	X	CONTACT FEMALE	BRASS	Ni-PLATED
3	1	M12 HEX KNU FE NUT	BRASS	Ni-PLATED
2	-	MOULDING MATERIAL BK	TPU	-
1	-	CABLE Xx0.25mm ² BK	TPU	-

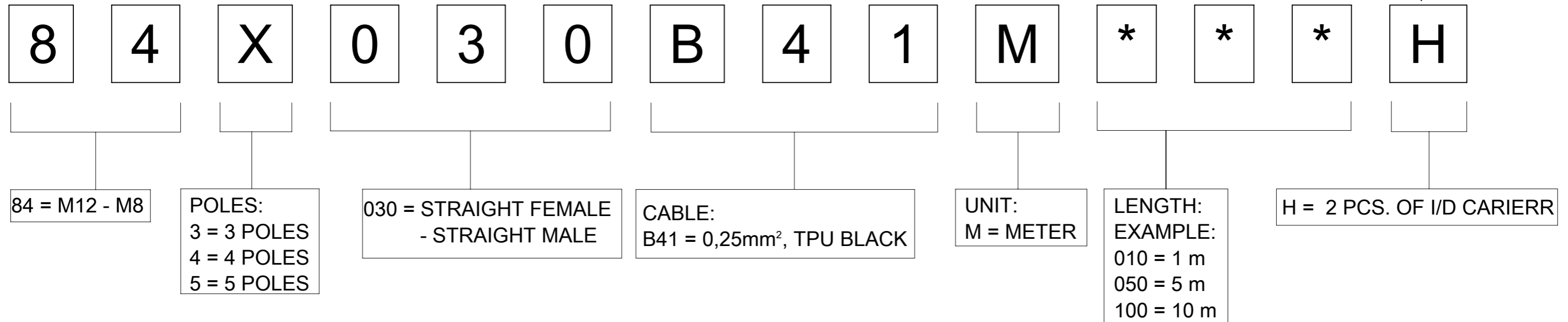
NOTE:

1. LOGO BRAD- ONLY IN ONE SIDE ON THE OVERMOULD.
2. IF IN MATRIX IS "H" - ID CARRIER ON THE BOTH SIDES CONNECTOR.

FUNCTIONAL SYMBOLS	THIS DRAWING CONTAINS INFORMATION THAT IS PROPRIETARY TO MOLEX ELECTRONIC TECHNOLOGIES, LLC AND SHOULD NOT BE USED WITHOUT WRITTEN PERMISSION	CURRENT REV DESC:		
	DIMENSION UNITS: mm SCALE: 2:1 GENERAL TOLERANCES (UNLESS SPECIFIED): ANGULAR TOL ± 1.0° 4 PLACES ± 3 PLACES ± 2 PLACES ± 0.05 1 PLACE ± 0.3 0 PLACES ± 0.5	EC NO: 697196 DRWN: SSM CHK'D: RSILLER APPR: RSILLER INITIAL REVISION: DRWN: SSM APPR: RSILLER		
DIVISIONAL SYMBOLS	DRAFT WHERE APPLICABLE MUST REMAIN WITHIN DIMENSIONS THIRD ANGLE PROJECTION DRAWING: A3-SIZE SERIES: 120066	2021/12/06 2022/02/28 2021/12/06 2022/02/28	DOCUMENT NUMBER: 1200669234 DOC TYPE: PSD DOC PART: 000 REVISION: A	SHEET NUMBER: 1 OF 2

PART NO MATRIX-NUMERICAL CODE (Available parts see PART LIST table. Others parts available upon request).

OPTIONS



For Raw Cable Specification see SD-120209-006

CABLE TYPE	WIRE GAUGE	CABLE JACKET	UL	CSA	STATIC	FLEXING	DRAG CHAIN TESTED	OTHER
B41	0.25mm ²	TPU BLACK	STYLE 21215	YES	-40°C TO +90°C 5xD	-25°C TO +80°C 7.5xD	5 mio cycles	WELD SLAG RESISTANCE

PART LIST

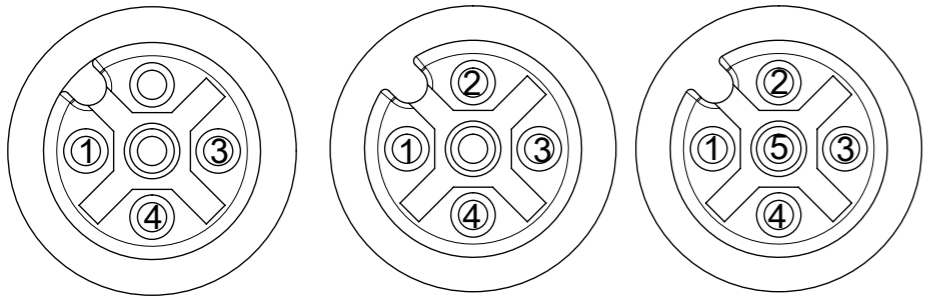
MOLEX PN	ENGINEERING No	L [mm]	Tol. [mm]
1200669234	843030B41M005H	500	+40/-0
1200669235	843030B41M010H	1000	+40/-0
1200669236	843030B41M020H	2000	+60/-0
1200669237	843030B41M030H	3000	+60/-0
1200669238	843030B41M050H	5000	+60/-0
1200669239	843030B41M100H	10000	+80/-0
1200669240	843030B41M150H	15000	+140/-0
1200669346	844030B41M020	2000	+60/-0
1200669347	844030B41M030	3000	+60/-0
1200669348	844030B41M040	4000	+60/-0
1200669722	843030B41M005	500	+40/-0
1200669723	843030B41M010	1000	+40/-0
1200669724	843030B41M020	2000	+60/-0
1200669725	843030B41M030	3000	+60/-0
1200669726	843030B41M050	5000	+60/-0
1200669727	843030B41M100	10000	+80/-0
1200669728	843030B41M150	15000	+140/-0
1200669729	843030B41M006	600	+40/-0
1200669747	843030B41M060	6000	+80/-0
1200669872	843030B41M015	1500	+60/-0
1200669873	843030B41M025	2500	+60/-0

DOCUMENT STATUS	P1	RELEASE DATE	2022/02/28	09:13:53
-----------------	----	--------------	------------	----------

FUNCTIONAL SYMBOLS FA = 0 FE = 0 FE = 0	THIS DRAWING CONTAINS INFORMATION THAT IS PROPRIETARY TO MOLEX ELECTRONIC TECHNOLOGIES, LLC AND SHOULD NOT BE USED WITHOUT WRITTEN PERMISSION	SCALE 1:1	CURRENT REV DESC:		
	mm	GENERAL TOLERANCES (UNLESS SPECIFIED)	molex CSE M12 3P AC FE STR WSOR MA STR XM PRODUCT CUSTOMER DRAWING		
DIVISIONAL SYMBOLS	ANGULAR TOL ± 1.0°	EC NO: 697196			
	4 PLACES ±	3 PLACES ±	DRWN: SSM	2022/02/28	
	2 PLACES ± 0.05	1 PLACE ± 0.3	CHK'D: RSILLER	2022/02/28	
	0 PLACES ± 0.5	INITIAL REVISION:	APPR: RSILLER	2022/02/28	
	DRAFT WHERE APPLICABLE MUST REMAIN WITHIN DIMENSIONS	THIRD ANGLE PROJECTION	DRWN: SSM	2021/12/06	2022/02/28
		DRAWING	APPR: RSILLER	2022/02/28	
		A3-SIZE	SERIES	120066	
			MATERIAL NUMBER	SEE PART LIST	
			CUSTOMER	GENERAL MARKET	
			DOCUMENT NUMBER	1200669234	
			DOC TYPE	PSD	
			DOC PART	000	
			REVISION	A	
			SHEET NUMBER	2 OF 2	

M12 FEMALE FACE VIEW

3 POLE 4 POLE 5 POLE



Pin	Wire color
1	BROWN
3	BLUE
4	BLACK

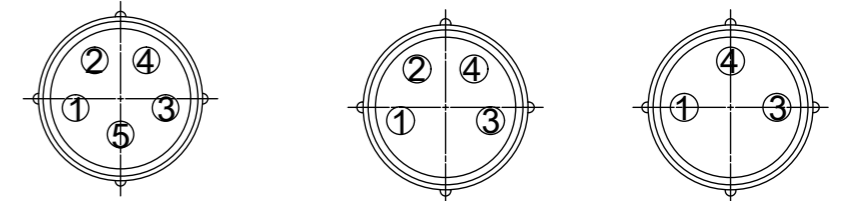
Pin	Wire color
1	BROWN
2	WHITE
3	BLUE
4	BLACK

Pin	Wire color
1	BROWN
2	WHITE
3	BLUE
4	BLACK
5	GREY

Temperature Range	-25°C /+80°C
Contact Current Rating	3A
Voltage Rating	3 Poles 60V
	4 & 5 Poles 30V
Protection class	IP 67

M8 MALE FACE VIEW

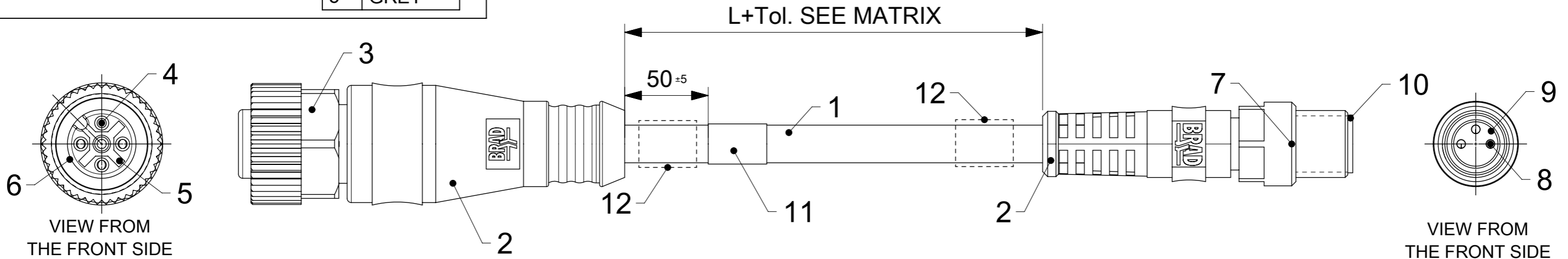
5 POLE 4 POLE 3 POLE



Pin	Wire color
1	BROWN
2	WHITE
3	BLUE
4	BLACK
5	GREY

Pin	Wire color
1	BROWN
2	WHITE
3	BLUE
4	BLACK

Pin	Wire color
1	BROWN
3	BLUE
4	BLACK



BOM

ITEM	QTY.	DESCRIPTION	MATERIAL	FINISH
12	2	ID CARRIER (SEE MATRIX)	PVC	-
11	1	STANDARD WRAP LABEL YE	VINYL	-
10	1	M8 MALE SLEEVE	BRASS	Ni-PLATED
9	1	INSERT M8 MALE XP BK	ELASTOLLAN	-
8	X	CONTACT MALE	BRASS	Ni-PLATED
7	1	M8 HEX KNU MALE NUT	BRASS	Ni-PLATED
6	1	GASKET RD	FPM	-
5	1	INSERT M12 FEMALE XP BK	ELASTOLLAN	-
4	X	CONTACT FEMALE	BRASS	Ni-PLATED
3	1	M12 HEX KNU FE NUT	BRASS	Ni-PLATED
2	-	MOULDING MATERIAL BK	TPU	-
1	-	CABLE Xx0.25mm ² BK	TPU	-

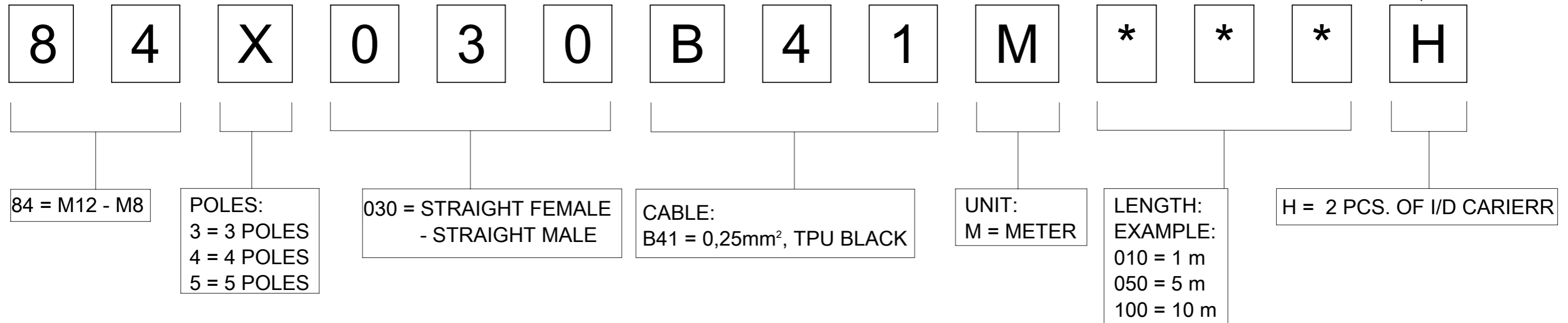
NOTE:

- LOGO BRAD- ONLY IN ONE SIDE ON THE OVERMOULD.
- IF IN MATRIX IS "H" - ID CARRIER ON THE BOTH SIDES CONNECTOR.

FUNCTIONAL SYMBOLS	THIS DRAWING CONTAINS INFORMATION THAT IS PROPRIETARY TO MOLEX ELECTRONIC TECHNOLOGIES, LLC AND SHOULD NOT BE USED WITHOUT WRITTEN PERMISSION	CURRENT REV DESC: PART LIST DELETED																																												
	<table border="1"> <tr> <th>DIMENSION UNITS</th> <th>SCALE</th> </tr> <tr> <td>mm</td> <td>2:1</td> </tr> </table>	DIMENSION UNITS	SCALE			mm	2:1	<table border="1"> <tr> <td>EC NO: 683109</td> <td>2021/10/19</td> </tr> <tr> <td>DRWN: MKOWALCZYK01</td> <td>2021/10/28</td> </tr> <tr> <td>CHK'D: ALEKSP3</td> <td>2021/11/02</td> </tr> <tr> <td>APPR: KMARCINIAK01</td> <td></td> </tr> </table>		EC NO: 683109	2021/10/19	DRWN: MKOWALCZYK01	2021/10/28	CHK'D: ALEKSP3	2021/11/02	APPR: KMARCINIAK01		<table border="1"> <tr> <td colspan="3">CSE M12 3P AC FE STR WSOR MA STR XM</td> </tr> <tr> <td colspan="3">PRODUCT CUSTOMER DRAWING</td> </tr> </table>		CSE M12 3P AC FE STR WSOR MA STR XM			PRODUCT CUSTOMER DRAWING																							
DIMENSION UNITS	SCALE																																													
mm	2:1																																													
EC NO: 683109	2021/10/19																																													
DRWN: MKOWALCZYK01	2021/10/28																																													
CHK'D: ALEKSP3	2021/11/02																																													
APPR: KMARCINIAK01																																														
CSE M12 3P AC FE STR WSOR MA STR XM																																														
PRODUCT CUSTOMER DRAWING																																														
DIVISIONAL SYMBOLS	<table border="1"> <tr> <th>GENERAL TOLERANCES (UNLESS SPECIFIED)</th> <th>ANGULAR TOL</th> </tr> <tr> <td>4 PLACES ±</td> <td>± °</td> </tr> <tr> <td>3 PLACES ±</td> <td></td> </tr> <tr> <td>2 PLACES ±</td> <td></td> </tr> <tr> <td>1 PLACE ±</td> <td></td> </tr> <tr> <td>0 PLACES ±</td> <td></td> </tr> </table>	GENERAL TOLERANCES (UNLESS SPECIFIED)	ANGULAR TOL	4 PLACES ±	± °	3 PLACES ±		2 PLACES ±		1 PLACE ±		0 PLACES ±		<table border="1"> <tr> <td>INITIAL REVISION:</td> <td></td> </tr> <tr> <td>DRWN: AKONDRACIUK</td> <td>2016/06/06</td> </tr> <tr> <td>APPR: MIWASIECZKO</td> <td>2016/06/21</td> </tr> </table>		INITIAL REVISION:		DRWN: AKONDRACIUK	2016/06/06	APPR: MIWASIECZKO	2016/06/21	<table border="1"> <tr> <td>DOCUMENT NUMBER</td> <td>DOC TYPE</td> <td>DOC PART</td> <td>REVISION</td> </tr> <tr> <td>1200669234</td> <td>PSD</td> <td>00P</td> <td>A4</td> </tr> </table>	DOCUMENT NUMBER	DOC TYPE	DOC PART	REVISION	1200669234	PSD	00P	A4	<table border="1"> <tr> <td>DRAFT WHERE APPLICABLE MUST REMAIN WITHIN DIMENSIONS</td> <td>THIRD ANGLE PROJECTION</td> <td>DRAWING</td> <td>SERIES</td> <td>MATERIAL NUMBER</td> <td>CUSTOMER</td> <td>SHEET NUMBER</td> </tr> <tr> <td></td> <td></td> <td>A3-SIZE</td> <td>120066</td> <td>SEE SHEET 2</td> <td>GENERAL MARKET</td> <td>1 OF 2</td> </tr> </table>		DRAFT WHERE APPLICABLE MUST REMAIN WITHIN DIMENSIONS	THIRD ANGLE PROJECTION	DRAWING	SERIES	MATERIAL NUMBER	CUSTOMER	SHEET NUMBER			A3-SIZE	120066	SEE SHEET 2	GENERAL MARKET	1 OF 2
GENERAL TOLERANCES (UNLESS SPECIFIED)	ANGULAR TOL																																													
4 PLACES ±	± °																																													
3 PLACES ±																																														
2 PLACES ±																																														
1 PLACE ±																																														
0 PLACES ±																																														
INITIAL REVISION:																																														
DRWN: AKONDRACIUK	2016/06/06																																													
APPR: MIWASIECZKO	2016/06/21																																													
DOCUMENT NUMBER	DOC TYPE	DOC PART	REVISION																																											
1200669234	PSD	00P	A4																																											
DRAFT WHERE APPLICABLE MUST REMAIN WITHIN DIMENSIONS	THIRD ANGLE PROJECTION	DRAWING	SERIES	MATERIAL NUMBER	CUSTOMER	SHEET NUMBER																																								
		A3-SIZE	120066	SEE SHEET 2	GENERAL MARKET	1 OF 2																																								

PART NO MATRIX-NUMERICAL CODE (Available parts see PART LIST table. Others parts available upon request).

OPTIONS



CABLE TYPE	WIRE GAUGE	CABLE JACKET	UL	CSA	STATIC	FLEXING	DRAG CHAIN TESTED	OTHER
B41	0.25mm ²	TPU BLACK	STYLE 21215	YES	-40°C TO +90°C 5xD	-25°C TO +80°C 7.5xD	5 mio cycles	WELD SLAG RESISTANCE

For Raw Cable Specification see SD-120209-006

Over	Up to and including	Tolerance
0	1000	+40 0
1000	5000	+60 0
5000	10000	+80 0
10000	20000	+140 0
20000	30000	+160 0
30000	>	+1% of length

FUNCTIONAL SYMBOLS	THIS DRAWING CONTAINS INFORMATION THAT IS PROPRIETARY TO MOLEX ELECTRONIC TECHNOLOGIES, LLC AND SHOULD NOT BE USED WITHOUT WRITTEN PERMISSION		CURRENT REV DESC: PART LIST DELETED		molex
	DIMENSION UNITS	SCALE			
	mm	1:1			CSE M12 3P AC FE STR WSOR MA STR XM
	GENERAL TOLERANCES (UNLESS SPECIFIED)				
	ANGULAR TOL ± °				
	4 PLACES	±			
	3 PLACES	±			
	2 PLACES	±			
	1 PLACE	±			
	0 PLACES	±			
DIVISIONAL SYMBOLS	DRAFT WHERE APPLICABLE MUST REMAIN WITHIN DIMENSIONS		THIRD ANGLE PROJECTION	DRAWING	SERIES
				A3-SIZE	120066
EC NO: 683109			DRWN: MKOWALCZYK01	2021/10/19	
CHK'D: ALEKSP3			2021/10/28		
APPR: KMARCINIAK01			2021/11/02		
INITIAL REVISION:					
DRWN: AKONDRACIUK			2016/06/06		
APPR: MIWASIECZKO			2016/06/21		
DOCUMENT NUMBER		1200669234	DOC TYPE	DOC PART	REVISION
			PSD	00P	A4
MATERIAL NUMBER		SEE MATRIX	CUSTOMER		SHEET NUMBER
			GENERAL MARKET		2 OF 2