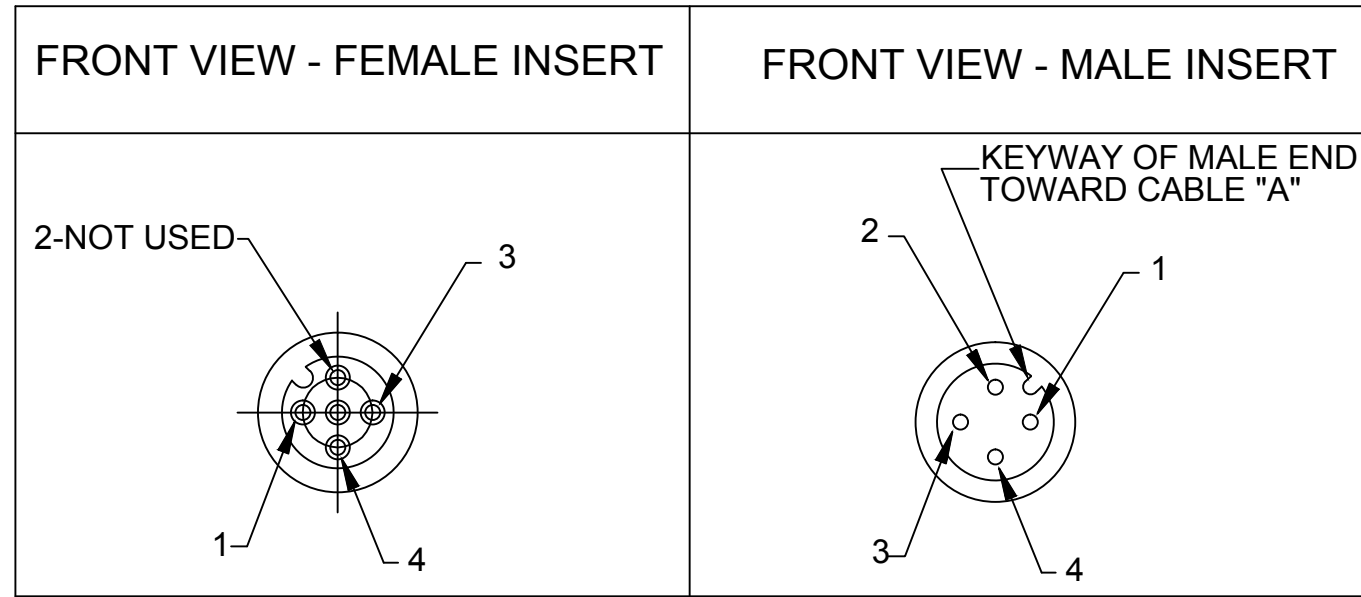
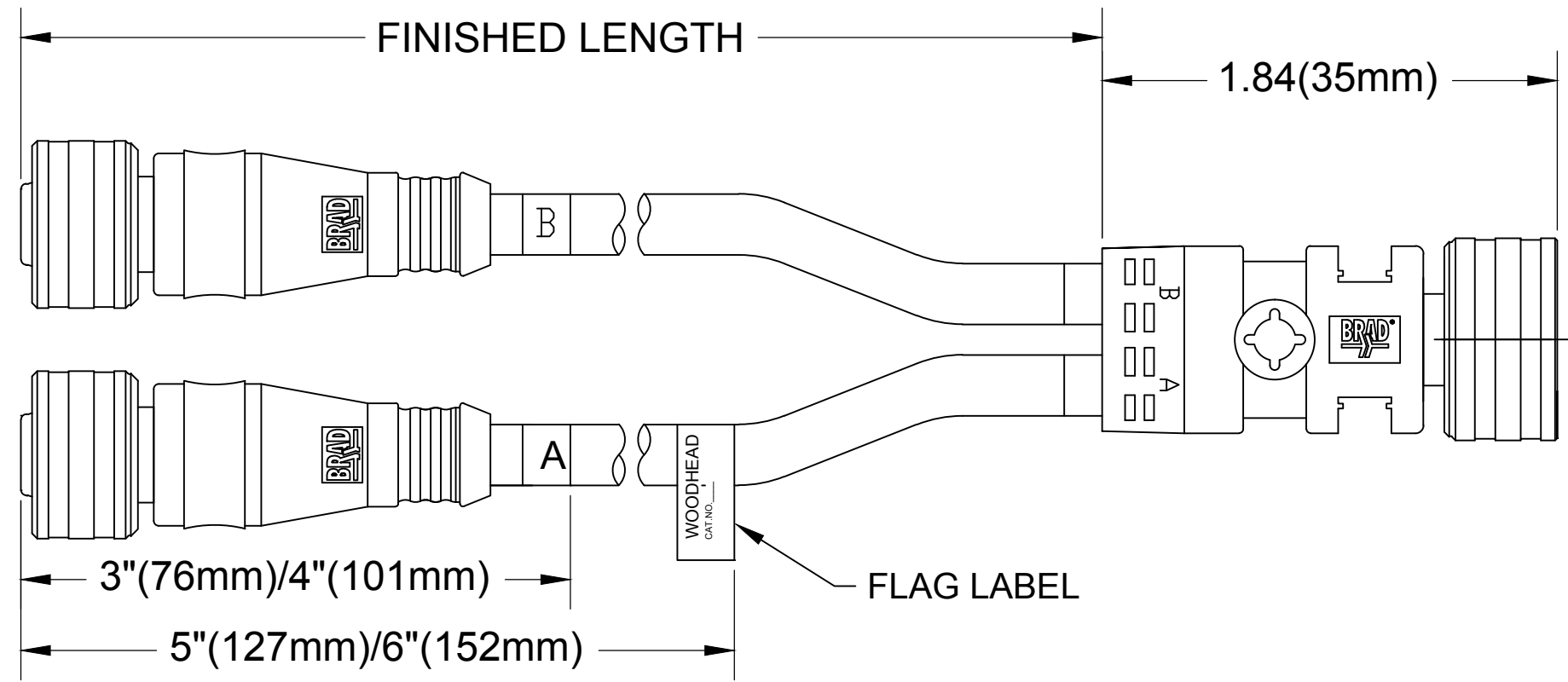


13	12	11	10	9	8	7	6	5	4	3	2	1
MATERIAL NUMBER		OLD PART NUMBER		FINISHED LENGTH								
1200808048		WW4A30H09M003		0.98' +0.75" -0 [0.3M +19.1 -0]								



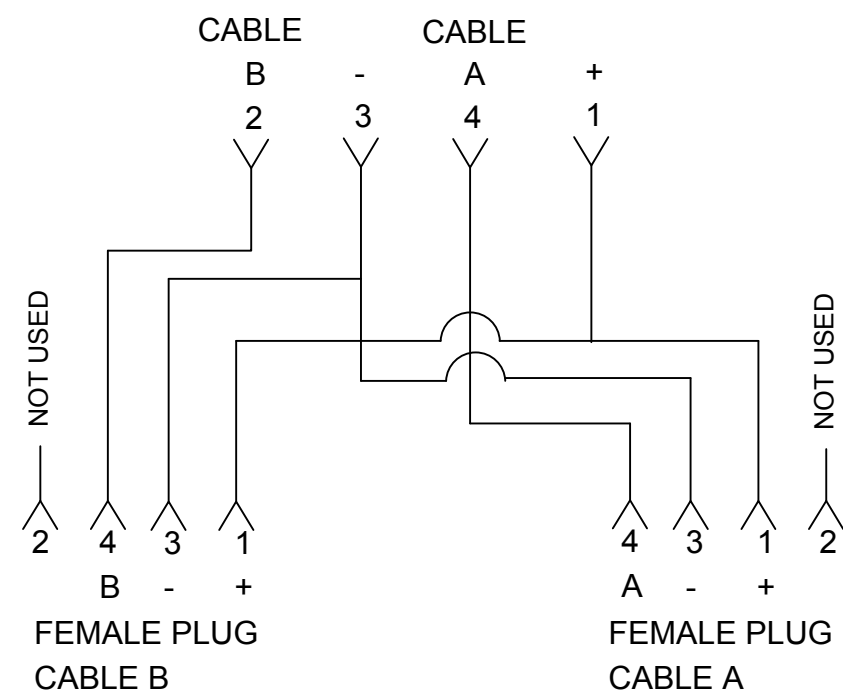
MALE PLUG



WW4A30H09M003

cable type  
.34MM<sup>2</sup>  
PUR BLACK

cable length  
003----.3 Meters  
010----1 Meters



WIRING SCHEMATIC

SPECIFICATION DATA

COMPONENT	MATERIAL	FINISH
LABEL	MYLAR	BLACK/YELLOW
COUPLER	BRASS	NICKEL PLATED
CONTACT	COPPER ALLOY	Au OVER Ni
INSERT	PUR	BLACK
OVERMOLD	PUR	YELLOW
O-RING	VITON	GREEN
CABLE 22 AWG	PUR	BLACK
VOLTAGE RATING:		300V
AMPERAGE RATING:		4A
PROTECTION CLASS:		IP 68
OPERATING TEMPERATURE:		-30°C TO 80°C

RELEASED EC NO: IPG2014-1500 DRWN: GGUSTAFS 2014/02/20 CH'KD: BARDEN APPR: BWOODMAN2014/02/24 REV A	QUALITY SYMBOL ▽=0 ▽=0	GENERAL TOLERANCES (UNLESS SPECIFIED) <table border="1"> <thead> <tr> <th></th> <th>mm</th> <th>INCH</th> </tr> </thead> <tbody> <tr> <td>4 PLACES</td> <td>±---</td> <td>±---</td> </tr> <tr> <td>3 PLACES</td> <td>±---</td> <td>±.005</td> </tr> <tr> <td>2 PLACES</td> <td>±.13</td> <td>±.010</td> </tr> <tr> <td>1 PLACE</td> <td>±.25</td> <td>±.020</td> </tr> </tbody> </table>		mm	INCH	4 PLACES	±---	±---	3 PLACES	±---	±.005	2 PLACES	±.13	±.010	1 PLACE	±.25	±.020	DIMENSION STYLE IN/MM DRAWN BY DATE GGUSTAFS 2014/02/20 CHECKED BY DATE BARDEN 2014/03/07 APPROVED BY DATE BWOODMAN 2014/02/24	SCALE NTS DESIGN UNITS INCH THIRD ANGLE PROJECTION	TITLE MIC ULOCK IN-LINE SPLTTR ST 22AWG PUR BLACK PUR BLACK
		mm	INCH																	
	4 PLACES	±---	±---																	
	3 PLACES	±---	±.005																	
2 PLACES	±.13	±.010																		
1 PLACE	±.25	±.020																		
DRAFT WHERE APPLICABLE MUST REMAIN WITHIN DIMENSIONS		MATERIAL NO. SEE CHART	DOCUMENT NO. SD-120080-081	SHEET NO. 1 OF 1																
THIS DRAWING CONTAINS INFORMATION THAT IS PROPRIETARY TO MOLEX INCORPORATED AND SHOULD NOT BE USED WITHOUT WRITTEN PERMISSION																				