

S05 SERIES MATRIX

S 0 5 2 0 7 T A 1 2 2 * *

SERIES:
S05- INTERNAL THREAD
FORM C

POLES:
2-2 POLE

THREAD:
07-PG7
M2-M12X1.5

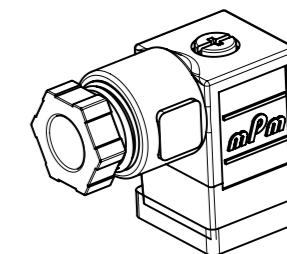
MATERIAL AND
HOUSING COLOUR:
T-TRANSPARENT

CIRCUIT:
SEE DETAILS
IN CATALOGUE

VOLTAGE:
SEE DETAILS
IN CATALOGUE

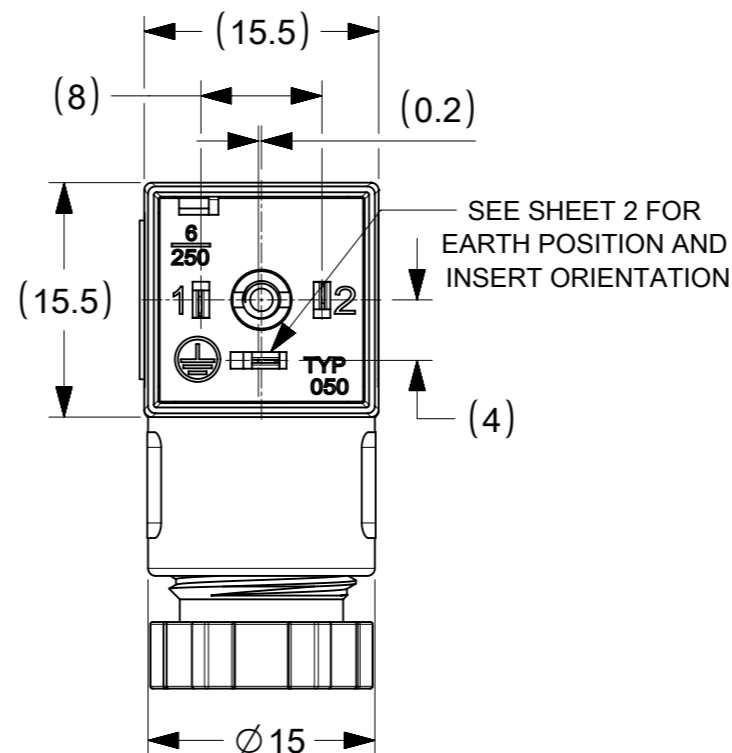
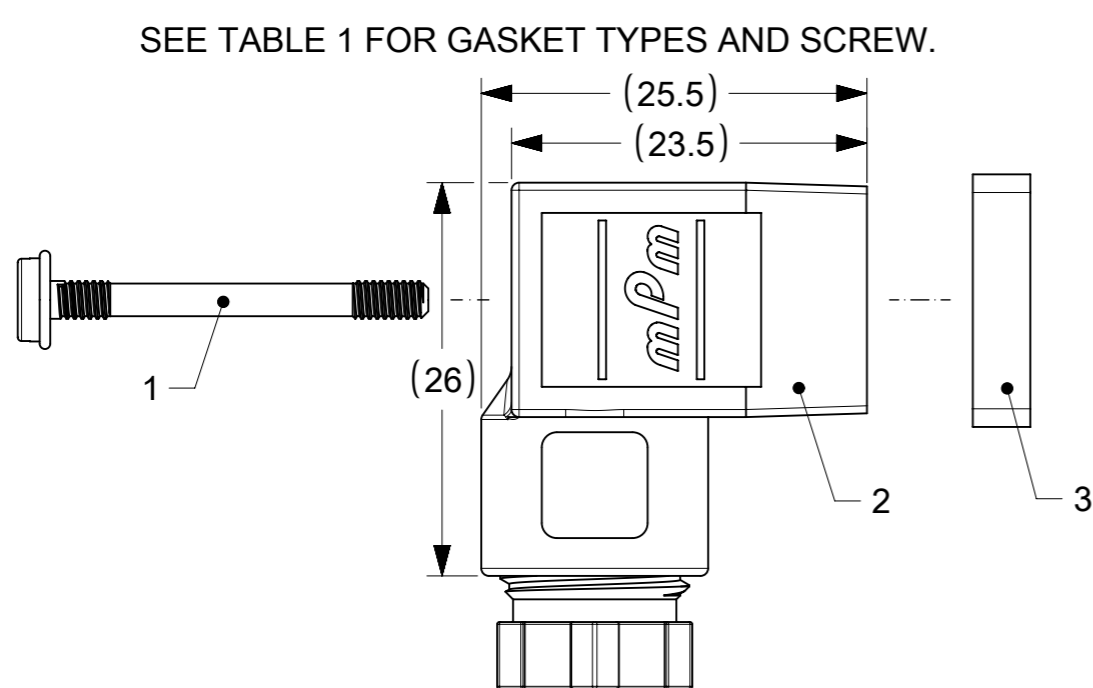
SCREW AND GASKET:
1- NBR PROFILE GASKET & SCREW
2- NBR FLAT GASKET & SCREW

NON STANDARD COMPONENTS:
14-PACKED IN NEUTRAL BAG
SA-UL LISTED



SCALE 1:1

SEE TABLE 1 FOR GASKET TYPES AND SCREW.



SEE SHEET 2 FOR
EARTH POSITION AND
INSERT ORIENTATION

| ITEM | DESCRRPTION/OPIS |
|------|-----------------------|
| 1 | SCREW |
| 2 | COVER+INSERT ASSEMBLY |
| 3 | GASKET |

GASKET HIDDEN FOR CLARITY

TABLE 1

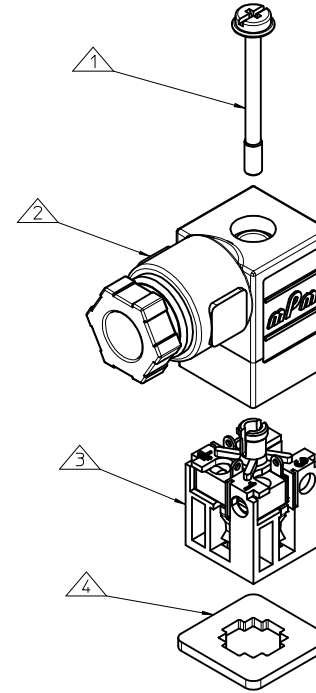
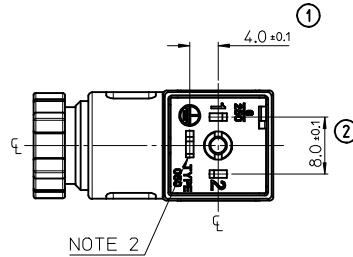
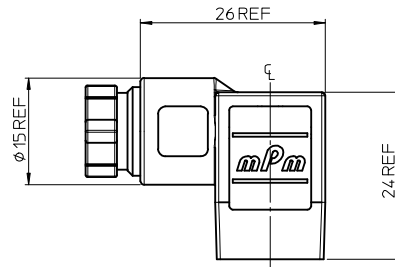
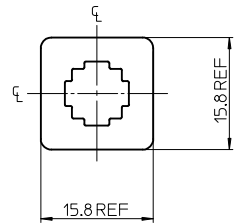
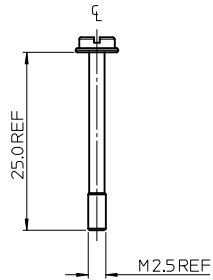
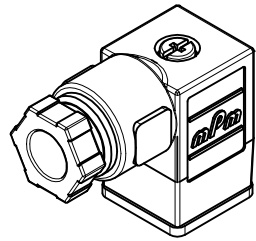
| PROFILED GASKET | FLAT GASKET | SCREW M2.5x25 |
|-----------------|-------------|---------------|
| | | |

TECHNICAL SPECIFICATION:

OPERATING CURRENT: 10A
CONTACT RESISTANCE: <15 mOhms MAX.

OPERATING TEMPERATURE:
NBR GASKET: -40° TO +90°C
SILICONE GASKET: -40° TO +125°C

| | | | | | | | | | |
|---|---|----------------|-----------------------------------|--------------------------------|--|--------------------------|--|----------------------|--|
| SYMBOLS DIMENSION UNITS: mm SCALE: 2:1 GENERAL TOLERANCES (UNLESS SPECIFIED): ANGULAR TOL ± 1.0° 4 PLACES ± 3 PLACES ± 2 PLACES ± 0.05 1 PLACE ± 0.3 0 PLACES ± 0.5 DRAFT WHERE APPLICABLE MUST REMAIN WITHIN DIMENSIONS | THIS DRAWING CONTAINS INFORMATION THAT IS PROPRIETARY TO MOLEX ELECTRONIC TECHNOLOGIES, LLC AND SHOULD NOT BE USED WITHOUT WRITTEN PERMISSION | | CURRENT REV DESC: INITIAL RELEASE | | | | | | |
| | EC NO: 613943 DRWN: MDHARMANTI 2018/12/03 CHK'D: RSILLER 2019/03/19 APPR: RSILLER 2019/03/19 | | S052 PG07 TRANS XV LED & VDR | | | | | | |
| | INITIAL REVISION: DRWN: MDHARMANTI 2018/12/03 APPR: RSILLER 2019/03/19 | | PRODUCT CUSTOMER DRAWING | | | | | | |
| | DRAFT WHERE APPLICABLE MUST REMAIN WITHIN DIMENSIONS | | THIRD ANGLE PROJECTION | | | | | | |
| DOCUMENT NUMBER: 1210640168 | | DOC TYPE: PSD | | DOC PART: 000 | | REVISION: A | | | |
| A3-SIZE | | SERIES: 121064 | | MATERIAL NUMBER: SEE PART LIST | | CUSTOMER: GENERAL MARKET | | SHEET NUMBER: 1 OF 2 | |



| ITEM | DESCRIPTION |
|------|-----------------|
| 1 | SCREW |
| 2 | COVER ASSEMBLY |
| 3 | INSERT ASSEMBLY |
| 4 | GASKET |

S05207TA122**

SERIES
 S05= INTERNAL THREAD FORM C
 POLES
 2= 2 POLE & 3= 3 POLE
 THREAD
 07= PG7, M2= M12x15
 MATERIAL AND HOUSING COLOUR
 G= PA6 GRAY, N= PA6 BLACK, W= PA6 BLACK V0, T= TRANSPARENT
 CIRCUIT
 SEE DETAILS IN CATALOGUE
 VOLTAGE
 SEE DETAILS IN CATALOGUE
 SCREW AND GASKET
 1= NBR PROFILE GASKET & SCREW
 2= NBR FLAT GASKET & SCREW
 3= WHITE SILICON PROFILE GASKET & SCREW
 4= WHITE SILICON FLAT GASKET & SCREW
 NON STANDARD COMPONENTS
 14= PACKED IN NEUTRAL BAG
 5N= PACKED IN BOXES OF 200

NOTES

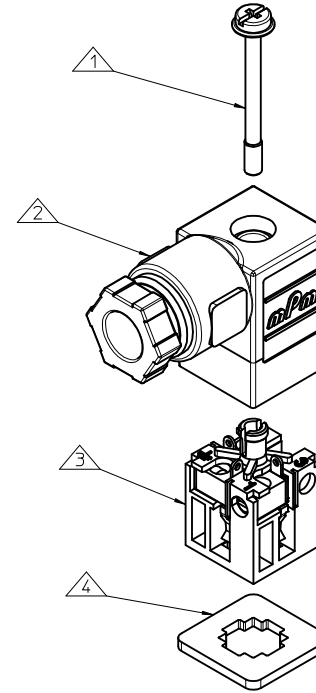
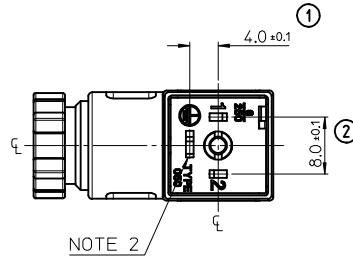
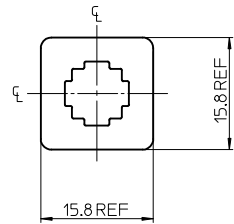
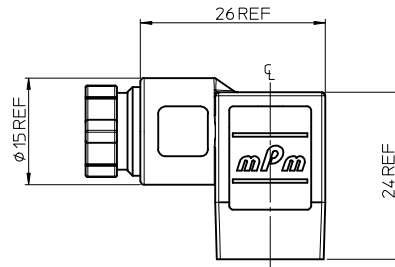
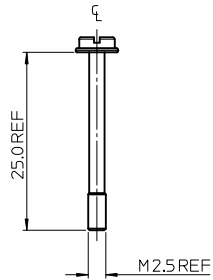
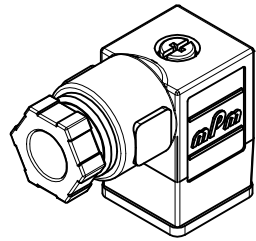
- PLEASE SEE SHEET 2 FOR CURRENTLY CONFIGURED PART NUMBERS. FOR SPECIFIC PART NUMBERS PLEASE CONTACT SALES OR CONSULT THE INTELLIGENT PART NUMBERS IN THE TABLE ATTACHED.
- EARTH POSITION SHOWN, H6.
- FOR PACKAGING SEE PACKAGING SPEC PK-121065-S05
- PRODUCT SPEC: SEE PS-121201-001

LAST INSPECTION NUMBER 2

| ADDED PART NUMBER | DESCRIPTION | QUALITY SYMBOLS | | GENERAL TOLERANCES (UNLESS SPECIFIED) | | DIMENSION STYLE | | SCALE | DESIGN UNITS | THIRD ANGLE PROJECTION |
|---------------------|-------------|--|-------|---------------------------------------|------|---|------------|---------------|-------------------------------|------------------------|
| | | mm | INCH | mm | INCH | MM ONLY | 2:1 | METRIC | THIRD ANGLE PROJECTION | |
| EC NO: IFC2013-0751 | 2012/11/21 | 4 PLACES | ± --- | ± --- | | DRAWN BY | DATE | TITLE | S05 SERIES INTERNAL THREAD | |
| DRW:NGSHEA | 2012/11/23 | 3 PLACES | ± --- | ± --- | | JOCONNOR | 2011/05/11 | | | |
| CHKD:DMAHER | 2012/11/23 | 2 PLACES | ± 0.1 | ± --- | | CHECKED BY | DATE | | MOLEX INCORPORATED | |
| APPR:STGRIFLIN | 2012/12/05 | 1 PLACE | ± 0.2 | ± --- | | DMAHER | 2011/05/11 | | | |
| | | ANGULAR ± ---° | | | | APPROVED BY | DATE | | SD-121064-001 | |
| | | | | | | EFOLAN | 2011/05/25 | | | |
| | | DRAFT WHERE APPLICABLE MUST REMAIN WITHIN DIMENSIONS | | | | MATERIAL NO. | | | SHEET NO. 1 OF 2 | |
| | | | | | | SEE SHEET 2 | | SD-121064-001 | | |
| | | | | | | THIS DRAWING CONTAINS INFORMATION THAT IS PROPRIETARY TO MOLEX INCORPORATED AND SHOULD NOT BE USED WITHOUT WRITTEN PERMISSION | | | | |

| PART No. | mPm PART No. | DESCRIPTION | CIRCUIT | VOLTAGE | INDICATOR |
|------------|---------------|--|---------|---------|--------------|
| 1210640155 | S05207TA022 | TYPE C 2P PG7 TRANSPARENT NBR FLAT GASKET | A0 | 24V | RED LED/LAMP |
| 1210640159 | S05207TA122 | TYPE C 2P PG7 TRANSPARENT NBR FLAT GASKET | A1 | 24V | RED LED |
| 1210640160 | S05207TA142 | TYPE C 2P PG7 TRANSPARENT NBR FLAT GASKET | A1 | 115V | RED LED |
| 1210640161 | S05207TA152 | TYPE C 2P PG7 TRANSPARENT NBR FLAT GASKET | A1 | 230V | RED LED |
| 1210641267 | S05207TA1H2 | TYPE C 2P PG7 TRANSPARENT NBR FLAT GASKET | A1 | 24V | AMBER LED |
| 1210641318 | S05207TA121 | TYPE C 2P PG7 TRANSPARENT NBR PROFILE GASKET | A1 | 24V | RED LED |
| 1210641485 | S05207TA1B1 | TYPE C 2P PG7 TRANSPARENT NBR PROFILE GASKET | A1 | 24V | GREEN LED |
| 1210641564 | S05207TA1B2 | TYPE C 2P PG7 TRANSPARENT NBR FLAT GASKET | A1 | 24V | GREEN LED |
| 1210641565 | S05207TA1E2 | TYPE C 2P PG7 TRANSPARENT NBR FLAT GASKET | A1 | 230V | GREEN LED |
| 1210641731 | S05207TA1H1 | TYPE C 2P PG7 TRANSPARENT NBR PROFILE GASKET | A1 | 24V | AMBER LED |
| 1210641732 | S05207TA1L1 | TYPE C 2P PG7 TRANSPARENT NBR PROFILE GASKET | A1 | 115V | AMBER LED |
| 1210641745 | S05207TA1L2 | TYPE C 2P PG7 TRANSPARENT NBR FLAT GASKET | A1 | 115V | AMBER LED |
| 1210640164 | S05207TC322 | TYPE C 2P PG7 TRANSPARENT NBR FLAT GASKET | C3 | 24V | RED LED |
| 1210640165 | S05207TC3H1 | TYPE C 2P PG7 TRANSPARENT NBR PROFILE GASKET | C3 | 24V | AMBER LED |
| 1210641396 | S05207TC321 | TYPE C 2P PG7 TRANSPARENT NBR PROFILE GASKET | C3 | 24V | RED LED |
| 1210641730 | S05207TC3H2 | TYPE C 2P PG7 TRANSPARENT NBR FLAT GASKET | C3 | 24V | AMBER LED |
| 1210640167 | S05207TC421 | TYPE C 2P PG7 TRANSPARENT NBR PROFILE GASKET | C4 | 24V | RED LED |
| 1210640168 | S05207TC422 | TYPE C 2P PG7 TRANSPARENT NBR FLAT GASKET | C4 | 24V | RED LED |
| 1210640169 | S05207TC4225N | TYPE C 2P PG7 TRANSPARENT NBR FLAT GASKET IN BOX OF 200 | C4 | 24V | RED LED |
| 1210640171 | S05207TC442 | TYPE C 2P PG7 TRANSPARENT NBR FLAT GASKET | C4 | 115V | RED LED |
| 1210640172 | S05207TC452 | TYPE C 2P PG7 TRANSPARENT NBR FLAT GASKET | C4 | 230V | RED LED |
| 1210640173 | S05207TC4B2 | TYPE C 2P PG7 TRANSPARENT NBR FLAT GASKET | C4 | 24V | GREEN LED |
| 1210640175 | S05207TC4D2 | TYPE C 2P PG7 TRANSPARENT NBR FLAT GASKET | C4 | 115V | GREEN LED |
| 1210640179 | S05207TC4H2 | TYPE C 2P PG7 TRANSPARENT NBR FLAT GASKET | C4 | 24V | AMBER LED |
| 1210640181 | S05207TC4L2 | TYPE C 2P PG7 TRANSPARENT NBR FLAT GASKET | C4 | 115V | AMBER LED |
| 1210640182 | S05207TC4M2 | TYPE C 2P PG7 TRANSPARENT NBR FLAT GASKET | C4 | 230V | AMBER LED |
| 1210641245 | S05207TC4B1 | TYPE C 2P PG7 TRANSPARENT NBR PROFILE GASKET | C4 | 24V | GREEN LED |
| 1210641253 | S05207TC4H1 | TYPE C 2P PG7 TRANSPARENT NBR PROFILE GASKET | C4 | 24V | AMBER LED |
| 1210641446 | S05207TC4M1 | TYPE C 2P PG7 TRANSPARENT NBR PROFILE GASKET | C4 | 230V | AMBER LED |
| 1210641459 | S05207TC4Z4 | TYPE C 2P PG7 TRANSPARENT WHITE SILICON FLAT GASKET | C4 | 24V | RED LED |
| 1210641486 | S052M2TC4B1 | TYPE C 2P M12x1.5 TRANSPARENT NBR PROFILE GASKET | C4 | 24V | GREEN LED |
| 1210641751 | S05207TC4K2 | TYPE C 2P PG7 TRANSPARENT NBR FLAT GASKET | C4 | 48V | AMBER LED |
| 1210650105 | S05207TC42214 | TYPE C 2P PG7 TRANSPARENT NBR FLAT GASKET IN NEUTRAL BAG | C4 | 24V | RED LED |
| 1210650552 | S05207TC4525N | TYPE C 2P PG7 TRANSPARENT NBR FLAT GASKET IN BOX OF 200 | C4 | 230V | RED LED |
| 1210640183 | S05207TS0H1 | TYPE C 2P PG7 TRANSPARENT NBR PROFILE GASKET | S0 | 24V | AMBER LED |
| 1210641799 | S052M2TC322 | TYPE C 2P M12x1.5 TRANSPARENT NBR FLAT GASKET | C3 | 24V | RED LED |

| SEE SHEET 1 EC NO: IPG2013-0751 DRWNG:JSHEA 2012/11/21 CHKD:DMAHER 2012/11/23 APPR:SGRIFFIN 2012/12/05 | QUALITY SYMBOLS = 0 = 0 | GENERAL TOLERANCES (UNLESS SPECIFIED) <table border="1"> <tr><th></th><th>mm</th><th>INCH</th></tr> <tr><td>4 PLACES</td><td>± .005</td><td>± .0004</td></tr> <tr><td>3 PLACES</td><td>± .008</td><td>± .0003</td></tr> <tr><td>2 PLACES</td><td>± 0.1</td><td>± .004</td></tr> <tr><td>1 PLACE</td><td>± 0.2</td><td>± .008</td></tr> </table> | | mm | INCH | 4 PLACES | ± .005 | ± .0004 | 3 PLACES | ± .008 | ± .0003 | 2 PLACES | ± 0.1 | ± .004 | 1 PLACE | ± 0.2 | ± .008 | DIMENSION STYLE MM ONLY | SCALE 2:1 | DESIGN UNITS METRIC | THIRD ANGLE PROJECTION |
|---|---|--|----------|------|-------|----------|------------|-----------------------------------|------------|--------|---------|------------|-------------|--------|---------|------------|---------------------------|---|-----------------------------------|--------------------------------------|-------------------------------|
| | | mm | INCH | | | | | | | | | | | | | | | | | | |
| | 4 PLACES | ± .005 | ± .0004 | | | | | | | | | | | | | | | | | | |
| | 3 PLACES | ± .008 | ± .0003 | | | | | | | | | | | | | | | | | | |
| 2 PLACES | ± 0.1 | ± .004 | | | | | | | | | | | | | | | | | | | |
| 1 PLACE | ± 0.2 | ± .008 | | | | | | | | | | | | | | | | | | | |
| REV | DRAFT WHERE APPLICABLE MUST REMAIN WITHIN DIMENSIONS | <table border="1"> <tr><th>DRAWN BY</th><th>DATE</th><th>TITLE</th></tr> <tr><td>JOCONNOR</td><td>2011/05/11</td><td rowspan="3" style="text-align: center;">S05 SERIES INTERNAL THREAD</td></tr> <tr><th>CHECKED BY</th><th>DATE</th></tr> <tr><td>DMAHER</td><td>2011/05/11</td></tr> <tr><th>APPROVED BY</th><th>DATE</th></tr> <tr><td>EFOLAN</td><td>2011/05/25</td></tr> </table> | DRAWN BY | DATE | TITLE | JOCONNOR | 2011/05/11 | S05 SERIES INTERNAL THREAD | CHECKED BY | DATE | DMAHER | 2011/05/11 | APPROVED BY | DATE | EFOLAN | 2011/05/25 | MOLEX INCORPORATED | MATERIAL NO. SD-121064-001 | SHEET NO. 2 OF 2 | | |
| DRAWN BY | DATE | TITLE | | | | | | | | | | | | | | | | | | | |
| JOCONNOR | 2011/05/11 | S05 SERIES INTERNAL THREAD | | | | | | | | | | | | | | | | | | | |
| CHECKED BY | DATE | | | | | | | | | | | | | | | | | | | | |
| DMAHER | 2011/05/11 | | | | | | | | | | | | | | | | | | | | |
| APPROVED BY | DATE | | | | | | | | | | | | | | | | | | | | |
| EFOLAN | 2011/05/25 | | | | | | | | | | | | | | | | | | | | |
| SIZE A2 | SEE CHART | THIS DRAWING CONTAINS INFORMATION THAT IS PROPRIETARY TO MOLEX INCORPORATED AND SHOULD NOT BE USED WITHOUT WRITTEN PERMISSION | | | | | | | | | | | | | | | | | | | |
| | | | | | | | | | | | | | | | | | | | | | |



| ITEM | DESCRIPTION |
|------|-----------------|
| 1 | SCREW |
| 2 | COVER ASSEMBLY |
| 3 | INSERT ASSEMBLY |
| 4 | GASKET |

S05207TA122**

SERIES
 S05= INTERNAL THREAD FORM C
 POLES
 2= 2 POLE & 3= 3 POLE
 THREAD
 07= PG7, M2= M12x15
 MATERIAL AND HOUSING COLOUR
 G= PA6 GRAY, N= PA6 BLACK, W= PA6 BLACK V0, T= TRANSPARENT
 CIRCUIT
 SEE DETAILS IN CATALOGUE
 VOLTAGE
 SEE DETAILS IN CATALOGUE
 SCREW AND GASKET
 1= NBR PROFILE GASKET & SCREW
 2= NBR FLAT GASKET & SCREW
 3= WHITE SILICON PROFILE GASKET & SCREW
 4= WHITE SILICON FLAT GASKET & SCREW
 NON STANDARD COMPONENTS
 14= PACKED IN NEUTRAL BAG
 5N= PACKED IN BOXES OF 200

NOTES

- PLEASE SEE SHEET 2 FOR CURRENTLY CONFIGURED PART NUMBERS. FOR SPECIFIC PART NUMBERS PLEASE CONTACT SALES OR CONSULT THE INTELLIGENT PART NUMBERS IN THE TABLE ATTACHED.
- EARTH POSITION SHOWN, H6.
- FOR PACKAGING SEE PACKAGING SPEC PK-121065-S05
- PRODUCT SPEC: SEE PS-121201-001

LAST INSPECTION NUMBER 2

| ADDED PART NUMBER | DESCRIPTION | QUALITY SYMBOLS | | GENERAL TOLERANCES (UNLESS SPECIFIED) | | DIMENSION STYLE | | SCALE | DESIGN UNITS | THIRD ANGLE PROJECTION |
|---------------------|-------------|-----------------|------|--|------|-----------------|------------|--------|--|------------------------|
| | | mm | INCH | mm | INCH | MM ONLY | 2:1 | METRIC | THIRD ANGLE PROJECTION | |
| EC NO: IFC2013-0751 | 2012/11/21 | ▽=0 | ▽=0 | 4 PLACES ±--- | ±--- | DRAWN BY | DATE | TITLE | S05 SERIES INTERNAL THREAD | |
| DRW:NGSHEA | 2012/11/23 | ▽=0 | ▽=0 | 3 PLACES ±--- | ±--- | JOCANNOR | 2011/05/11 | | | |
| CHKD:DMAHER | 2012/11/23 | ▽=0 | ▽=0 | 2 PLACES ±0.1 | ±--- | CHECKED BY | DATE | | MOLEX INCORPORATED | |
| APPR:STGRIFLIN | 2012/12/05 | ▽=0 | ▽=0 | 1 PLACE ±0.2 | ±--- | DMAHER | 2011/05/11 | | | |
| | | | | ANGULAR ±---° | ±--- | APPROVED BY | DATE | | SD-121064-001 | |
| | | | | | | EFOLAN | 2011/05/25 | | | |
| | | | | DRAFT WHERE APPLICABLE MUST REMAIN WITHIN DIMENSIONS | | MATERIAL NO. | | | SHEET NO. 1 OF 2 | |
| | | | | | | SEE SHEET 2 | | | INCORPORATED AND SHOULD NOT BE USED WITHOUT WRITTEN PERMISSION | |

| PART No. | mPm PART No. | DESCRIPTION | CIRCUIT | VOLTAGE | INDICATOR |
|------------|---------------|--|---------|---------|--------------|
| 1210640155 | S05207TA022 | TYPE C 2P PG7 TRANSPARENT NBR FLAT GASKET | A0 | 24V | RED LED/LAMP |
| 1210640159 | S05207TA122 | TYPE C 2P PG7 TRANSPARENT NBR FLAT GASKET | A1 | 24V | RED LED |
| 1210640160 | S05207TA142 | TYPE C 2P PG7 TRANSPARENT NBR FLAT GASKET | A1 | 115V | RED LED |
| 1210640161 | S05207TA152 | TYPE C 2P PG7 TRANSPARENT NBR FLAT GASKET | A1 | 230V | RED LED |
| 1210641267 | S05207TA1H2 | TYPE C 2P PG7 TRANSPARENT NBR FLAT GASKET | A1 | 24V | AMBER LED |
| 1210641318 | S05207TA121 | TYPE C 2P PG7 TRANSPARENT NBR PROFILE GASKET | A1 | 24V | RED LED |
| 1210641485 | S05207TA1B1 | TYPE C 2P PG7 TRANSPARENT NBR PROFILE GASKET | A1 | 24V | GREEN LED |
| 1210641564 | S05207TA1B2 | TYPE C 2P PG7 TRANSPARENT NBR FLAT GASKET | A1 | 24V | GREEN LED |
| 1210641565 | S05207TA1E2 | TYPE C 2P PG7 TRANSPARENT NBR FLAT GASKET | A1 | 230V | GREEN LED |
| 1210641731 | S05207TA1H1 | TYPE C 2P PG7 TRANSPARENT NBR PROFILE GASKET | A1 | 24V | AMBER LED |
| 1210641732 | S05207TA1L1 | TYPE C 2P PG7 TRANSPARENT NBR PROFILE GASKET | A1 | 115V | AMBER LED |
| 1210641745 | S05207TA1L2 | TYPE C 2P PG7 TRANSPARENT NBR FLAT GASKET | A1 | 115V | AMBER LED |
| 1210640164 | S05207TC322 | TYPE C 2P PG7 TRANSPARENT NBR FLAT GASKET | C3 | 24V | RED LED |
| 1210640165 | S05207TC3H1 | TYPE C 2P PG7 TRANSPARENT NBR PROFILE GASKET | C3 | 24V | AMBER LED |
| 1210641396 | S05207TC321 | TYPE C 2P PG7 TRANSPARENT NBR PROFILE GASKET | C3 | 24V | RED LED |
| 1210641730 | S05207TC3H2 | TYPE C 2P PG7 TRANSPARENT NBR FLAT GASKET | C3 | 24V | AMBER LED |
| 1210640167 | S05207TC421 | TYPE C 2P PG7 TRANSPARENT NBR PROFILE GASKET | C4 | 24V | RED LED |
| 1210640168 | S05207TC422 | TYPE C 2P PG7 TRANSPARENT NBR FLAT GASKET | C4 | 24V | RED LED |
| 1210640169 | S05207TC4225N | TYPE C 2P PG7 TRANSPARENT NBR FLAT GASKET IN BOX OF 200 | C4 | 24V | RED LED |
| 1210640171 | S05207TC442 | TYPE C 2P PG7 TRANSPARENT NBR FLAT GASKET | C4 | 115V | RED LED |
| 1210640172 | S05207TC452 | TYPE C 2P PG7 TRANSPARENT NBR FLAT GASKET | C4 | 230V | RED LED |
| 1210640173 | S05207TC4B2 | TYPE C 2P PG7 TRANSPARENT NBR FLAT GASKET | C4 | 24V | GREEN LED |
| 1210640175 | S05207TC4D2 | TYPE C 2P PG7 TRANSPARENT NBR FLAT GASKET | C4 | 115V | GREEN LED |
| 1210640179 | S05207TC4H2 | TYPE C 2P PG7 TRANSPARENT NBR FLAT GASKET | C4 | 24V | AMBER LED |
| 1210640181 | S05207TC4L2 | TYPE C 2P PG7 TRANSPARENT NBR FLAT GASKET | C4 | 115V | AMBER LED |
| 1210640182 | S05207TC4M2 | TYPE C 2P PG7 TRANSPARENT NBR FLAT GASKET | C4 | 230V | AMBER LED |
| 1210641245 | S05207TC4B1 | TYPE C 2P PG7 TRANSPARENT NBR PROFILE GASKET | C4 | 24V | GREEN LED |
| 1210641253 | S05207TC4H1 | TYPE C 2P PG7 TRANSPARENT NBR PROFILE GASKET | C4 | 24V | AMBER LED |
| 1210641446 | S05207TC4M1 | TYPE C 2P PG7 TRANSPARENT NBR PROFILE GASKET | C4 | 230V | AMBER LED |
| 1210641459 | S05207TC4Z4 | TYPE C 2P PG7 TRANSPARENT WHITE SILICON FLAT GASKET | C4 | 24V | RED LED |
| 1210641486 | S052M2TC4B1 | TYPE C 2P M12x1.5 TRANSPARENT NBR PROFILE GASKET | C4 | 24V | GREEN LED |
| 1210641751 | S05207TC4K2 | TYPE C 2P PG7 TRANSPARENT NBR FLAT GASKET | C4 | 48V | AMBER LED |
| 1210650105 | S05207TC42214 | TYPE C 2P PG7 TRANSPARENT NBR FLAT GASKET IN NEUTRAL BAG | C4 | 24V | RED LED |
| 1210650552 | S05207TC4525N | TYPE C 2P PG7 TRANSPARENT NBR FLAT GASKET IN BOX OF 200 | C4 | 230V | RED LED |
| 1210640183 | S05207TS0H1 | TYPE C 2P PG7 TRANSPARENT NBR PROFILE GASKET | S0 | 24V | AMBER LED |
| 1210641799 | S052M2TC322 | TYPE C 2P M12x1.5 TRANSPARENT NBR FLAT GASKET | C3 | 24V | RED LED |

| | | | | | | | | | | | | | | | | | | | | | | | | |
|---|---------------------|--|------|---|------|--------------------------------------|--------|---------|----------|--------|---------|----------|-------|--------|---------|-------|--------|-----------------|--|--|-----------------------------------|---------------------|-------------------------------|------------------------|
| SEE SHEET 1 EC NO: IPG2013-0751 DRWNG:JSHEA 2012/11/21 CHKD:DMAHER 2012/11/23 APPR:STGRIFFIN 2012/12/05 REV | QUALITY SYMBOLS | GENERAL TOLERANCES (UNLESS SPECIFIED) <table border="1"> <tr> <td></td> <td>mm</td> <td>INCH</td> </tr> <tr> <td>4 PLACES</td> <td>± .005</td> <td>± .0005</td> </tr> <tr> <td>3 PLACES</td> <td>± .005</td> <td>± .0005</td> </tr> <tr> <td>2 PLACES</td> <td>± 0.1</td> <td>± .005</td> </tr> <tr> <td>1 PLACE</td> <td>± 0.2</td> <td>± .005</td> </tr> <tr> <td colspan="3">ANGULAR ± .005°</td> </tr> </table> | | mm | INCH | 4 PLACES | ± .005 | ± .0005 | 3 PLACES | ± .005 | ± .0005 | 2 PLACES | ± 0.1 | ± .005 | 1 PLACE | ± 0.2 | ± .005 | ANGULAR ± .005° | | | DIMENSION STYLE MM ONLY | SCALE 2:1 | DESIGN UNITS METRIC | THIRD ANGLE PROJECTION |
| | | mm | INCH | | | | | | | | | | | | | | | | | | | | | |
| 4 PLACES | ± .005 | ± .0005 | | | | | | | | | | | | | | | | | | | | | | |
| 3 PLACES | ± .005 | ± .0005 | | | | | | | | | | | | | | | | | | | | | | |
| 2 PLACES | ± 0.1 | ± .005 | | | | | | | | | | | | | | | | | | | | | | |
| 1 PLACE | ± 0.2 | ± .005 | | | | | | | | | | | | | | | | | | | | | | |
| ANGULAR ± .005° | | | | | | | | | | | | | | | | | | | | | | | | |
| DRAWN BY JOCONNOR 2011/05/11 CHECKED BY DMAHER 2011/05/11 APPROVED BY EFOLAN 2011/05/25 MATERIAL NO. | | TITLE S05 SERIES INTERNAL THREAD | | MOLEX INCORPORATED | | DOCUMENT NO. SD-121064-001 | | | | | | | | | | | | | | | | | | |
| DRAFT WHERE APPLICABLE MUST REMAIN WITHIN DIMENSIONS | | SEE CHART | | THIS DRAWING CONTAINS INFORMATION THAT IS PROPRIETARY TO MOLEX INCORPORATED AND SHOULD NOT BE USED WITHOUT WRITTEN PERMISSION | | | | | | | | | | | | | | | | | | | | |
| | | SIZE A 2 | | SHEET NO. 2 OF 2 | | | | | | | | | | | | | | | | | | | | |

7

6

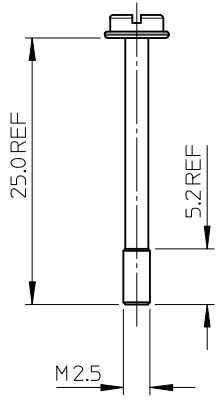
5

4

3

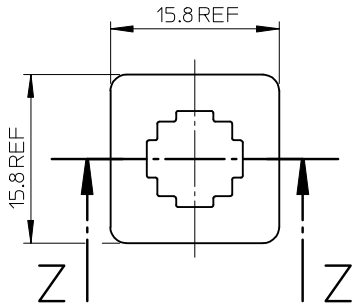
2

1

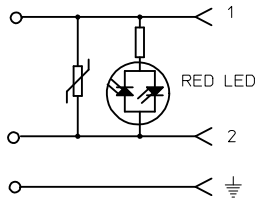
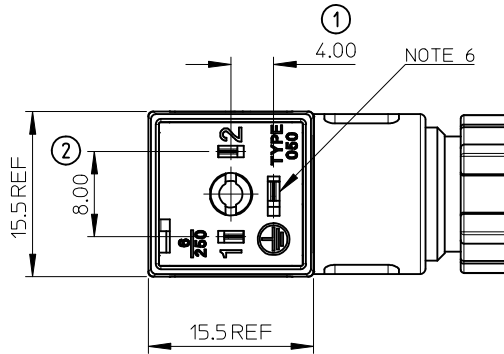
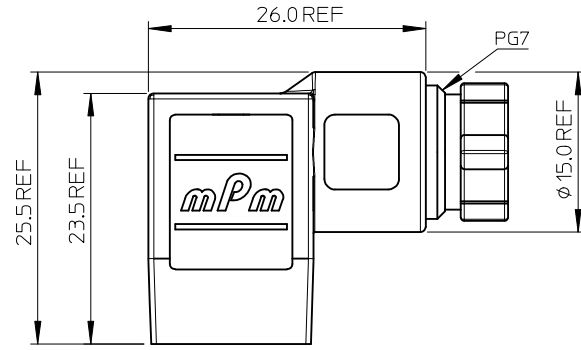
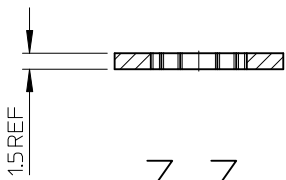


M2.5 X 25 SCREW

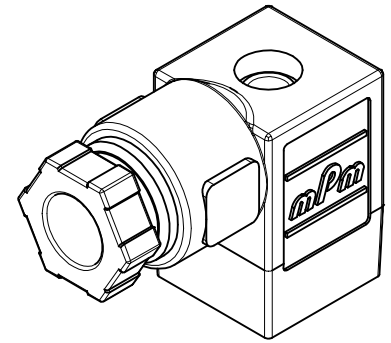
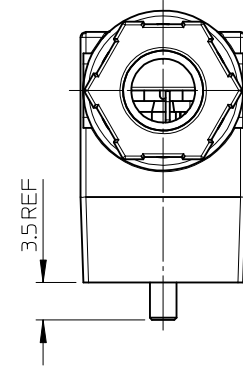
NBR GASKET



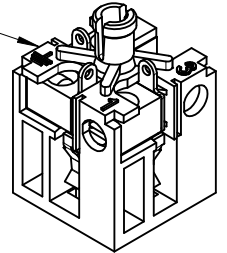
Z-Z



C4 CIRCUIT DIAGRAM



NOTE 16



NOTES:

- 1. PRODUCT SPEC: PS-121201-001
- 2. PACKAGING SPEC: PK-121065-S05
- 3. MATERIAL:
COVER HOUSING: PA SMOKED TRANSPARENT
NUT: PA BLACK
INSERT: PA BLACK
- 4. ENGINEERING NO: S05207TC422
- 5. PART IS BULK PACK MOUNTED - 300 PCS PER BOX
- 6. EARTH POSITION: H6
- 7. CABLE DIAMETER: 4mm - 6mm
- 8. NOMINAL VOLTAGE: 24V AC/DC
- 9. NOMINAL CURRENT: 6A
- 10. MAXIMUM CURRENT: 10A
- 11. CROSS SECTIONAL AREA OF WIRE CONDUCTOR: 0.75mm² MAX, 0.50mm² MIN
- 12. PROTECTION CLASS: IP65
- 13. OPERATING TEMPERATURE RANGE: -40°C TO +90°C
- 14. GLAND NUT TIGHTENING TORQUE: 1Nm
- 15. FIXING SCREW TIGHTENING TORQUE: 0.4Nm
- 16. ELECTRONIC COMPONENTS NOT SHOWN

LAST INSPECTION NUMBER USED: 2

| | | | | | | | | | | |
|---|---------------------|---------------------------------------|---|----------------------------|-------------------------------|---------------------|---|------------------------|--|--|
| ORIGINAL RELEASE EC NO: IPG2013-1418 DRWN:DSHEA 2013/03/11 CHK'D:SMCGREEVY 2013/03/12 APPR:STGRIFFIN 2013/03/20 | QUALITY SYMBOLS | GENERAL TOLERANCES (UNLESS SPECIFIED) | | DIMENSION STYLE MM ONLY | | SCALE 1.5:1 | DESIGN UNITS METRIC | THIRD ANGLE PROJECTION | | |
| | | | mm | INCH | DRAWN BY DSHEA | DATE 2013/03/11 | TITLE S052 PG7 TRANSP H6 C4, 24V, RED LED | | | |
| | | 4 PLACES ± --- | ± --- | ± --- | CHECKED BY SMCGREEVY | DATE 2013/03/12 | | | | |
| | | 3 PLACES ± --- | ± --- | ± --- | APPROVED BY STGRIFFIN | DATE 2013/03/20 | | | | |
| 2 PLACES ± 0.10 | ± --- | ± --- | MATERIAL NO. 1210640168 | | DOCUMENT NO. SD-121064-168 | SHEET NO. 1 OF 1 | | | | |
| 1 PLACE ± 0.20 | ± --- | ± --- | DRAFT WHERE APPLICABLE MUST REMAIN WITHIN DIMENSIONS | | | | | | | |
| 0 PLACE ± --- | ± --- | ± --- | SIZE A4 THIS DRAWING CONTAINS INFORMATION THAT IS PROPRIETARY TO MOLEX INCORPORATED AND SHOULD NOT BE USED WITHOUT WRITTEN PERMISSION | | | | | | | |

6

5

4

3

2

1

7

6

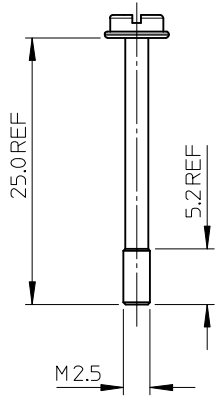
5

4

3

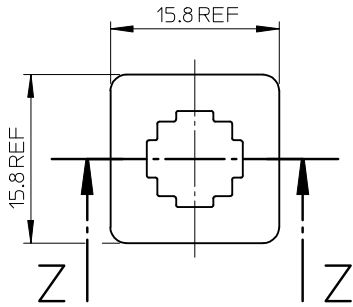
2

1

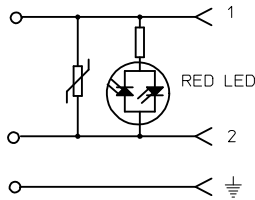
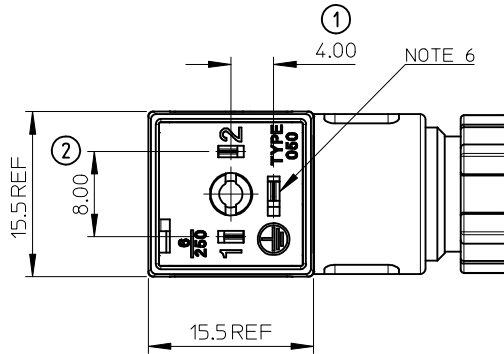
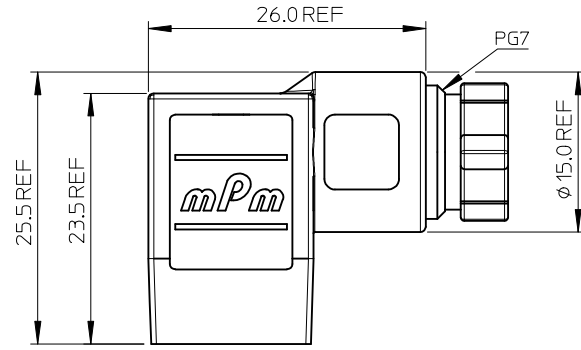
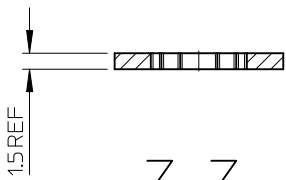


M2.5 X 25 SCREW

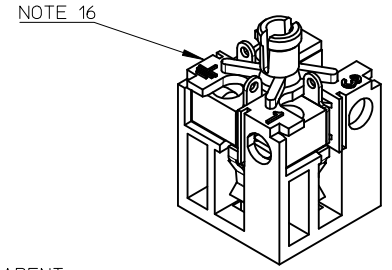
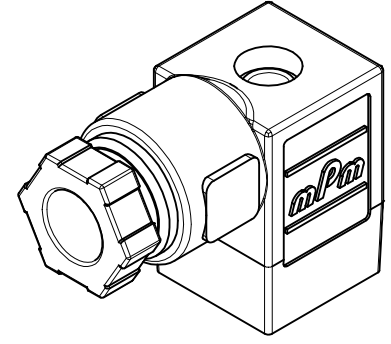
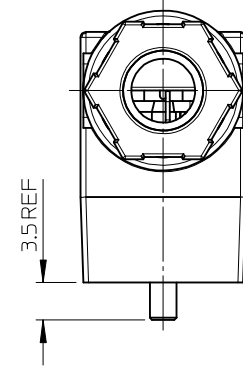
NBR GASKET



Z-Z



C4 CIRCUIT DIAGRAM



NOTES:

1. PRODUCT SPEC: PS-121201-001
2. PACKAGING SPEC: PK-121065-S05
3. MATERIAL:
COVER HOUSING: PA SMOKED TRANSPARENT
NUT: PA BLACK
INSERT: PA BLACK
4. ENGINEERING NO: S05207TC422
5. PART IS BULK PACK MOUNTED - 300 PCS PER BOX
6. EARTH POSITION: H6
7. CABLE DIAMETER: 4mm - 6mm
8. NOMINAL VOLTAGE: 24V AC/DC
9. NOMINAL CURRENT: 6A
10. MAXIMUM CURRENT: 10A
11. CROSS SECTIONAL AREA OF WIRE CONDUCTOR: 0.75mm² MAX, 0.50mm² MIN
12. PROTECTION CLASS: IP65
13. OPERATING TEMPERATURE RANGE: -40°C TO +90°C
14. GLAND NUT TIGHTENING TORQUE: 1Nm
15. FIXING SCREW TIGHTENING TORQUE: 0.4Nm
16. ELECTRONIC COMPONENTS NOT SHOWN

LAST INSPECTION NUMBER USED: 2

| | | | | | | | | | | |
|--|---------------------|--|--|-----------------------------------|--------------------|--|-------------------------------|------------------------|--|--|
| ORIGINAL RELEASE EC NO: IPG2013-1418 DRWN:DSHEA 2013/03/11 CHK'D:SMCGREEVY 2013/03/12 APPR:STGRIFFIN 2013/03/20 | QUALITY SYMBOLS | GENERAL TOLERANCES (UNLESS SPECIFIED) | | DIMENSION STYLE MM ONLY | | SCALE 1.5:1 | DESIGN UNITS METRIC | THIRD ANGLE PROJECTION | | |
| | | | | DRAWN BY DSHEA | DATE 2013/03/11 | TITLE S052 PG7 TRANSP H6 C4, 24V, RED LED | | | | |
| | | | | CHECKED BY SMCGREEVY | DATE 2013/03/12 | APPROVED BY STGRIFFIN | | | | |
| | | | | MATERIAL NO. 1210640168 | | DOCUMENT NO. SD-121064-168 | SHEET NO. 1 OF 1 | | | |
| A | REV | DRAFT WHERE APPLICABLE MUST REMAIN WITHIN DIMENSIONS | | SIZE A4 | | THIS DRAWING CONTAINS INFORMATION THAT IS PROPRIETARY TO MOLEX INCORPORATED AND SHOULD NOT BE USED WITHOUT WRITTEN PERMISSION | | | | |

6

5

4

3

2

1