

6

5

4

3

2

1

E

E

D

D

C

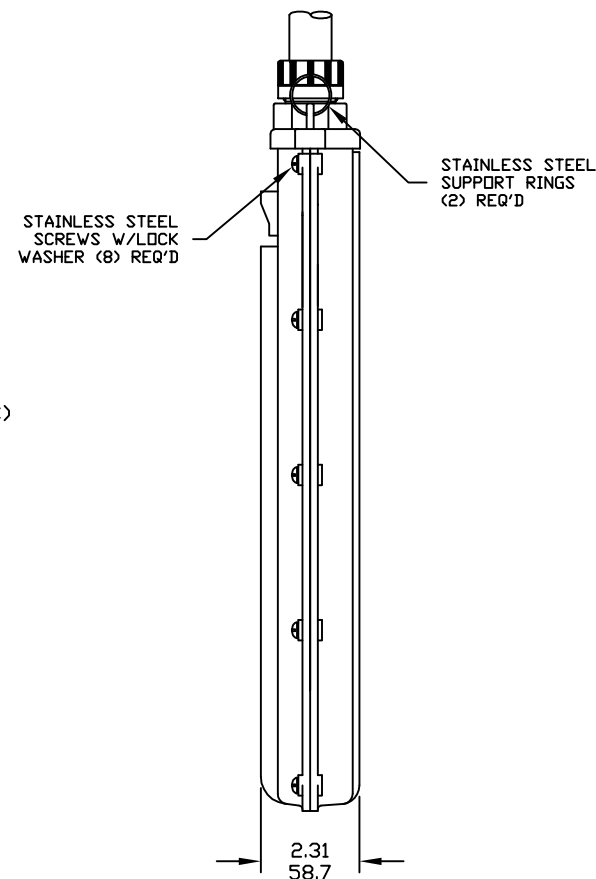
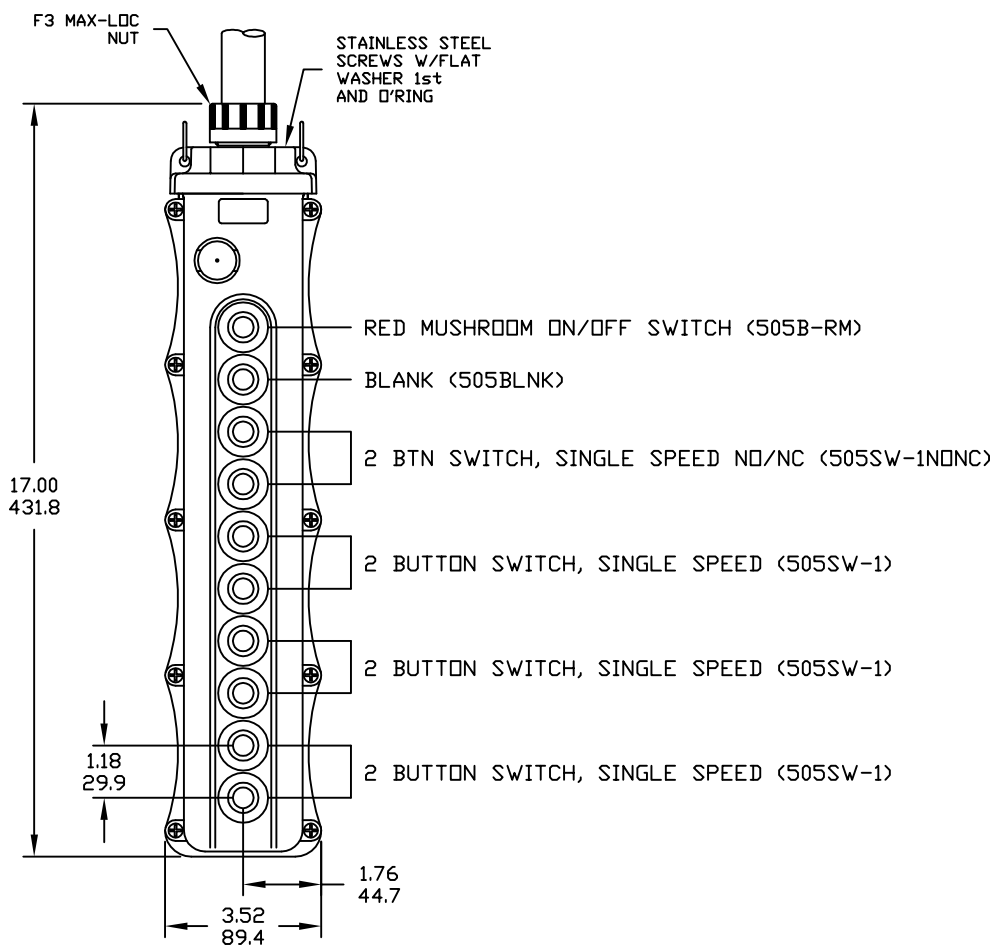
C

B

B

A

A



5060-SM-BL-AB2-A2-A2-A2

NOTES:

1. ALL DIMENSION ARE REFERENCE ONLY.

CUSTOMER APPROVAL EC NO: WNA2009-0039 DRWN: HKNEELAN 2008/07/16 CHKD: JP 2008/07/16 APPR: JPAWLICK 2008/07/25	QUALITY SYMBOLS $\nabla=0$ $\sphericalangle=0$	GENERAL TOLERANCES (UNLESS SPECIFIED)		DIMENSION STYLE INCH/MM		SCALE NTS	DESIGN UNITS INCH	THIRD ANGLE PROJECTION	
			mm	INCH	DRAWN BY	DATE	TITLE		
		4 PLACES	±---	±---	HK	2008/07/16	PENDANT STATION 5060 W/505B-RM 505SW-1N0NC	MOLEX INCORPORATED	
		3 PLACES	±---	±---	CHECKED BY	DATE			
		2 PLACES	±---	±---	HK	2008/07/16			
1 PLACE	±---	±---	APPROVED BY	DATE					
				JP	2008/07/16				
		ANGULAR ±---°		MATERIAL NO.	1301260292	DOCUMENT NO.	SD-130126-014	SHEET NO.	
		DRAFT WHERE APPLICABLE MUST REMAIN WITHIN DIMENSIONS		SIZE	A	THIS DRAWING CONTAINS INFORMATION THAT IS PROPRIETARY TO MOLEX INCORPORATED AND SHOULD NOT BE USED WITHOUT WRITTEN PERMISSION			
A								1 OF 1	

6

5

4

3

2

1