

Distributor - SAC-ASI-J-Y-Y-N - 1405622


Please be informed that the data shown in this PDF Document is generated from our Online Catalog. Please find the complete data in the user's documentation. Our General Terms of Use for Downloads are valid (<http://phoenixcontact.com/download>)



AS-Interface H-distributor with a high degree of protection, parallel wired, for the distribution of AS-Interface flat-ribbon conductors



Key Commercial Data

Packing unit	1 pc
GTIN	 4 046356 754934
GTIN	4046356754934

Technical data

Ambient conditions

Degree of protection	IP65
	IP67
	IP69K
Ambient temperature (operation)	-25 °C ... 75 °C
Ambient temperature (storage/transport)	-25 °C ... 85 °C

General data

Rated current at 40°C	8 A
Rated voltage	≤ 32 V DC
Number of positions	4
Overvoltage category	III
Degree of pollution	3
Alternative short product description	H distributor
Connection method	AS-i penetration technique

Characteristics head 1

Head type	Load center AS-i Screw locking
No. of positions (pin connector pattern)	4
Material (component)	CuSn (Contact)

Distributor - SAC-ASI-J-Y-Y-N - 1405622

Technical data

Characteristics head 1

	Ni/Au (Contact surface)
	PBT (Contact carriers)
	PBT (Housing)
	Stainless steel (Screw connection)
Torque	1.65 Nm (Locking screw)

Characteristics head 2

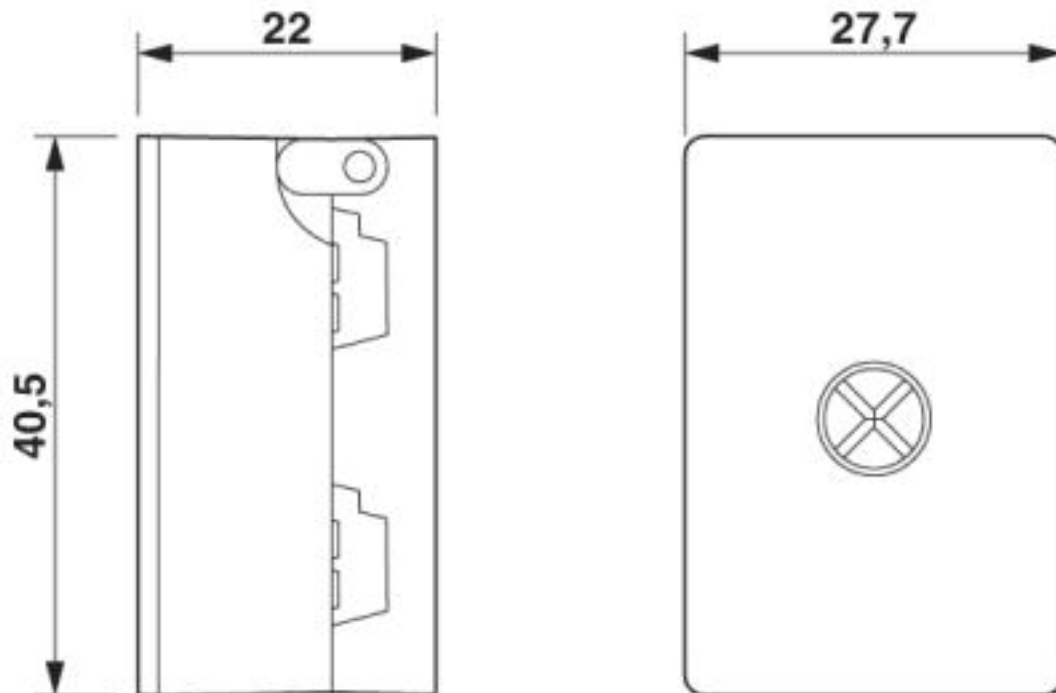
Color	black
-------	-------

Environmental Product Compliance

China RoHS	Environmentally friendly use period: unlimited = EFUP-e
	No hazardous substances above threshold values

Drawings

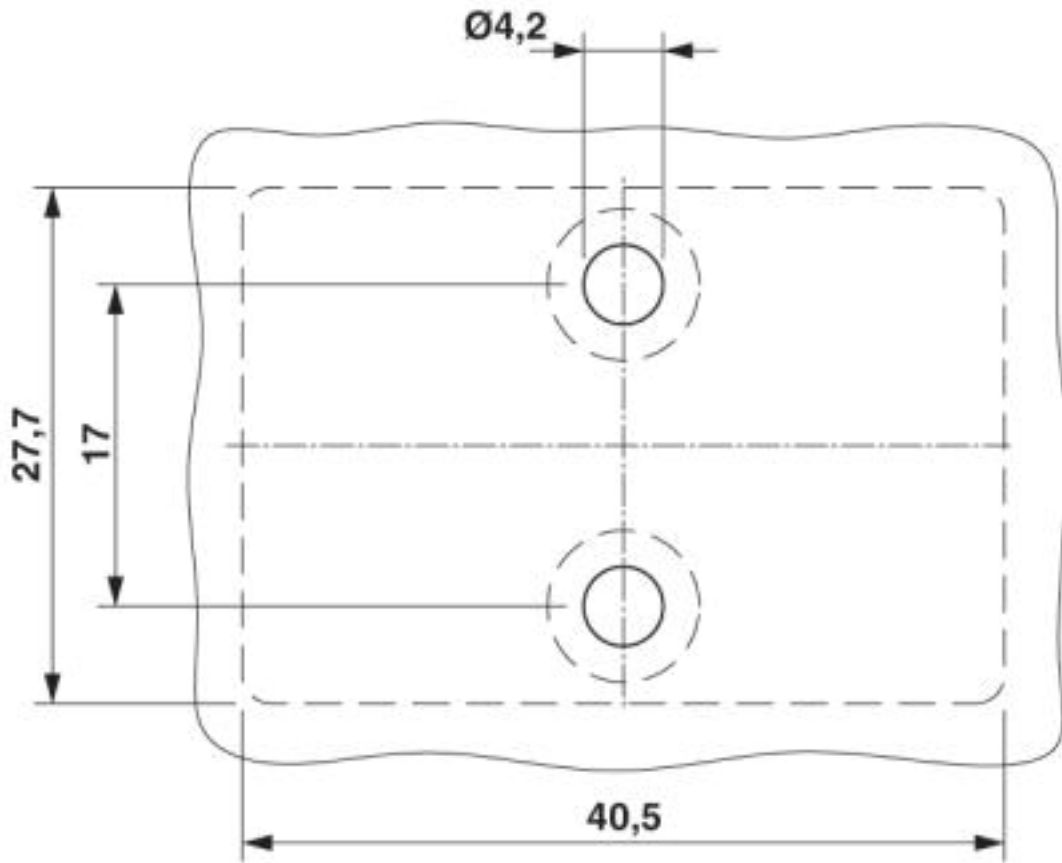
Dimensional drawing



Distributor, AS-Interface

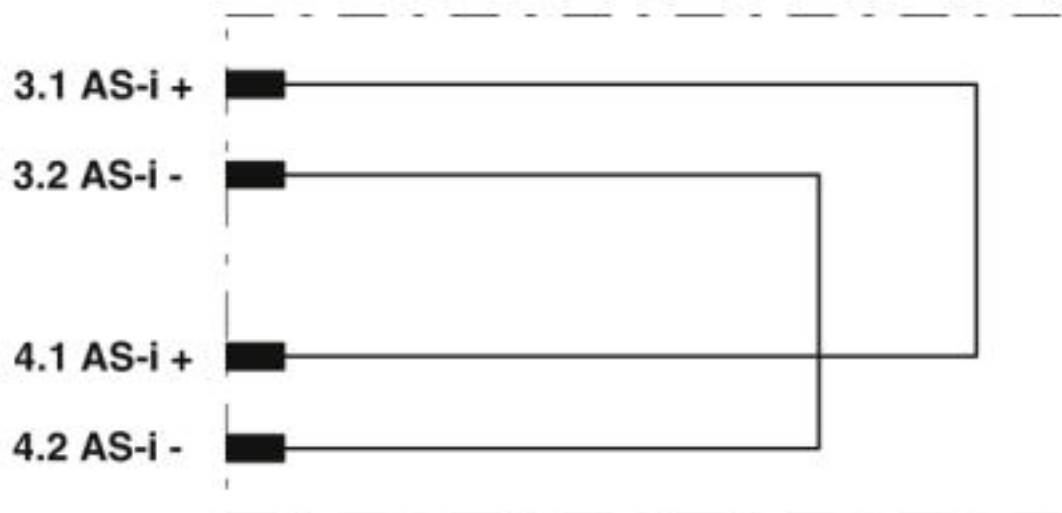
Distributor - SAC-ASI-J-Y-Y-N - 1405622

Dimensional drawing



Distance and position of the mounting holes

Circuit diagram



Contact assignment of the AS-Interface distributor

Phoenix Contact 2019 © - all rights reserved
<http://www.phoenixcontact.com>

PHOENIX CONTACT GmbH & Co. KG
Flachsmarktstr. 8
32825 Blomberg
Germany
Tel. +49 5235 300
Fax +49 5235 3 41200
<http://www.phoenixcontact.com>