

Cable gland - G-INS-M25-M68N-NNES-S - 1411165

Please be informed that the data shown in this PDF Document is generated from our Online Catalog. Please find the complete data in the user's documentation. Our General Terms of Use for Downloads are valid (<http://phoenixcontact.com/download>)



Cable gland, cable gland material: Nickel-plated brass, external cable diameter 11 mm ... 17 mm, shielding: no, connecting thread: M25 x 1.5, color: silver, with O-ring



Key Commercial Data

Packing unit	5 pc
GTIN	
GTIN	4046356922999

Technical data

Dimensions

Length	40 mm
Wrench size, union nut	27 mm
Wrench size, support	27 mm
Hexagon angular dimension	30 mm
Length of the connecting thread	8 mm
Feed-through hole diameter	25.1 mm ... 25.3 mm
External cable diameter	11 mm ... 17 mm
	14 mm ... 17 mm (for UL 514 B)

Ambient conditions

Degree of protection (IP)	IP69 (DIN EN 60529 / IEC 60529)
	IP68 (5 bar, 30 min.)
	IP66
Degree of protection (NEMA)	4X
Ambient temperature (operation)	-40 °C ... 100 °C (static)

General

No. of conductors	1
Cable gland material	Nickel-plated brass

Cable gland - G-INS-M25-M68N-NNES-S - 1411165

Technical data

General

Material, insert	Polyamide 6
Cable seal material	CR
O-ring material	Perbunan
Shielded	no
Thread type connection side	M25 x 1.5
Thread type on connection side	M25
Torque	8 Nm (Union nut: EN 62444)
	8 Nm (Support: EN 62444)
	11 Nm (for UL514 B: union nut)
Color	silver
Impact category	6
Execution of the strain relief	A
Assembly instructions	1) Mount screw connection support in the housing using the correct torque 2) Insert cable 3) Tighten union nut using the correct torque
Manufacturer	BIMED
Manufacturer Designation	BMBC-E3

Standards and Regulations

Halogen-free	no
--------------	----

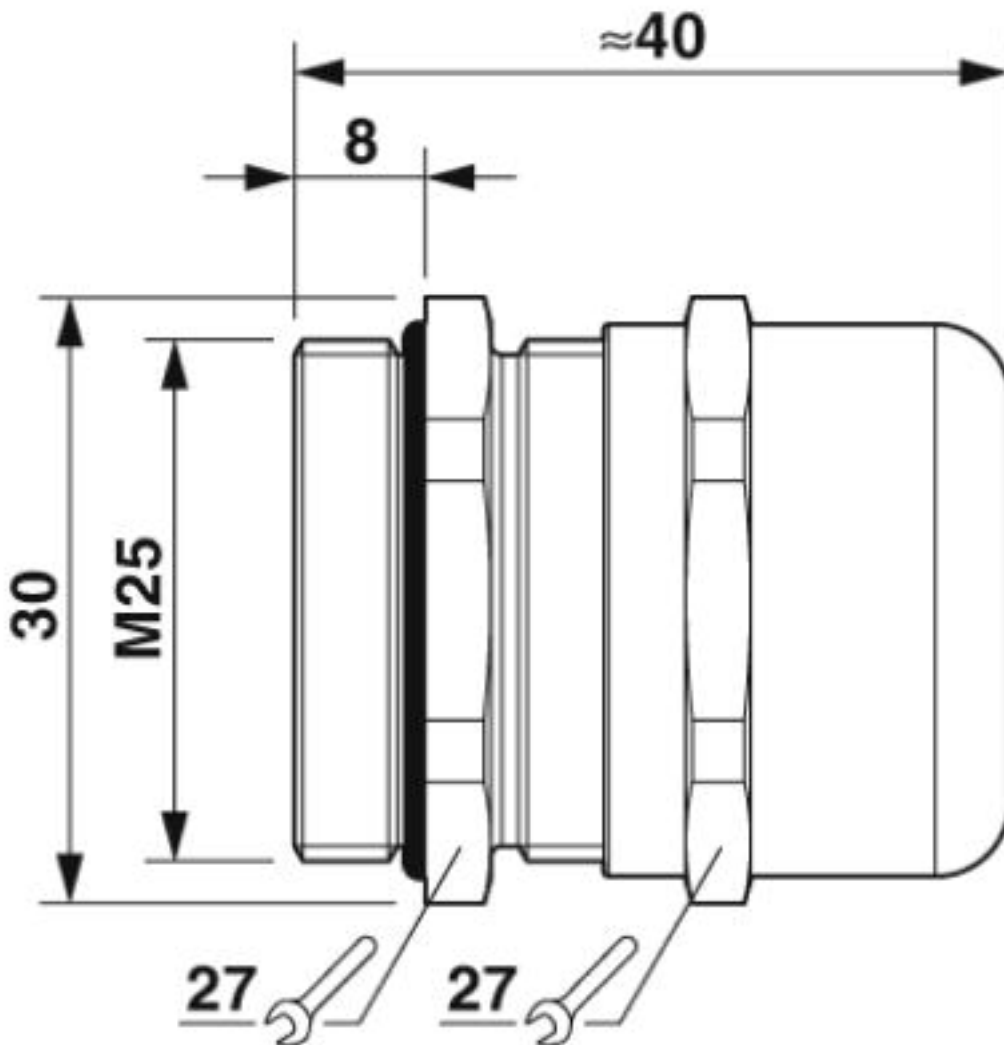
Environmental Product Compliance

China RoHS	Environmentally Friendly Use Period = 50
	For details about hazardous substances go to tab "Downloads", Category "Manufacturer's declaration"

Drawings

Cable gland - G-INS-M25-M68N-NNES-S - 1411165

Dimensional drawing



Dimensional drawing

Approvals

Approvals

Approvals

UL Listed / cUL Listed / cULus Listed


Ex Approvals

Approval details

Cable gland - G-INS-M25-M68N-NNES-S - 1411165

Approvals

UL Listed		http://database.ul.com/cgi-bin/XYV/template/LISEXT/1FRAME/index.htm	E199260
-----------	---	---	---------

cUL Listed		http://database.ul.com/cgi-bin/XYV/template/LISEXT/1FRAME/index.htm	E199260
------------	---	---	---------

cULus Listed			
--------------	---	--	--

Phoenix Contact 2019 © - all rights reserved
<http://www.phoenixcontact.com>

PHOENIX CONTACT GmbH & Co. KG
Flachsmarktstr. 8
32825 Blomberg
Germany
Tel. +49 5235 300
Fax +49 5235 3 41200
<http://www.phoenixcontact.com>