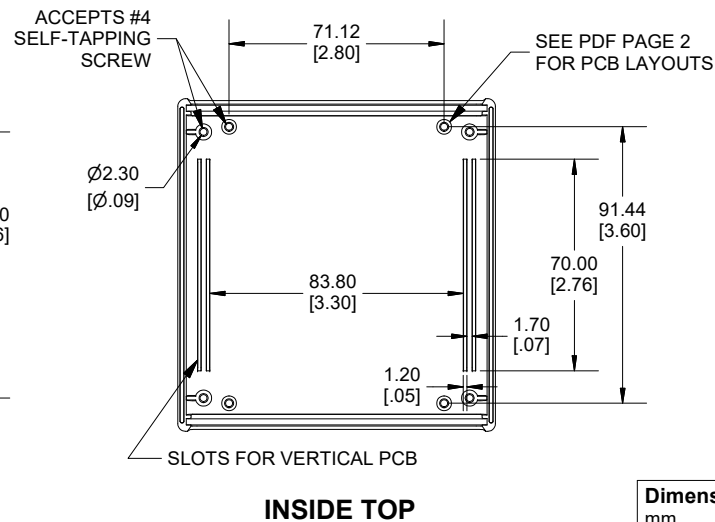
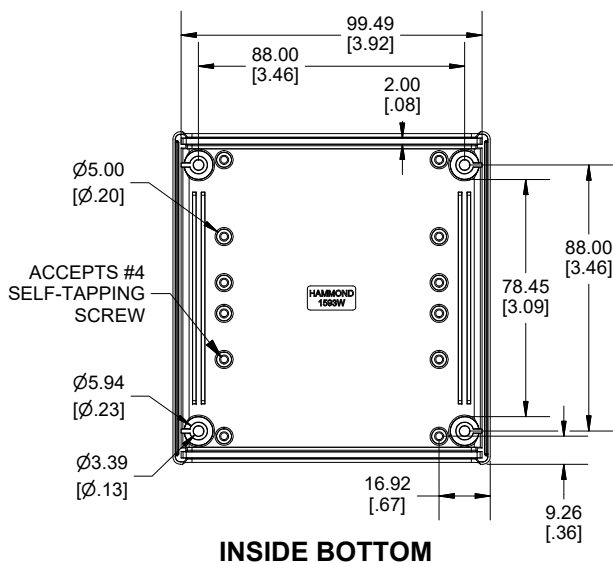


Enclosures can be Factory Modified (Milling, Drilling, Printing etc.)
Contact Factory (modshop@hammfg.com) for quotes
Solid models of this enclosure available in .stp or .x_t
(Part number and text placement/orientation on our products are subject to change,
we do not recommend using them as a locating reference for modification purposes)

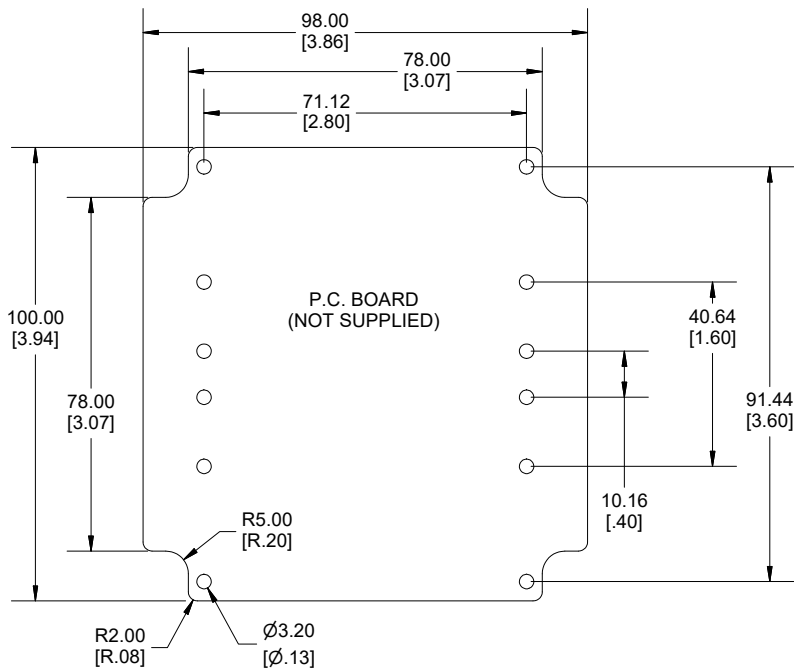
NOTE	
Enclosure molded from GP ABS (UL94-HB) plastic.	
Purchased assembly includes top and bottom cover, 2 flat plastic panels for front and rear and 4 cover screws.	
Recommended Torque: Cover screws - 57 ozf-in (40 cN-m)	
Internal mounting screws - 29-42 ozf-in (20-30 cN-m)	



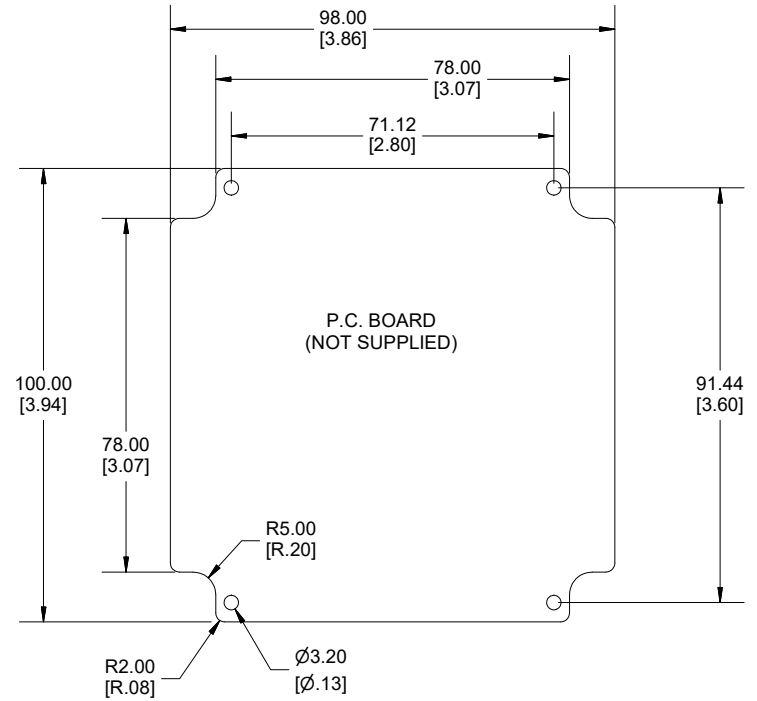
1593		
1593W Regular Enclosure		
Black Enclosure	1593WBK	
Grey Enclosure	1593WGY	
Translucent Blue Enclosure	1593WTBU	
ACCESSORIES		
Cover Screws #4 X 3/4" Self-Tapping (100 Pkg)	1593QS100 (Silver)	
	1593QS100BK (Black)	
P.C. Board Screws #4 X 1/4" Self-Tapping	1593ATS50 (Pkg 50)	
	1593ATS100 (Pkg 100)	
Nylon Belt Clip	1599CLIP (Black)	
	1599CLIPGY (Grey)	
1593W STD FLAT PANEL (Pkg 10)	Black	1593VLBK-10
	Grey	1593VLDY-10
	Translucent Blue	1593VLTBU-10
	Aluminum	1593VAL10

Dimensions:
mm
[inches]

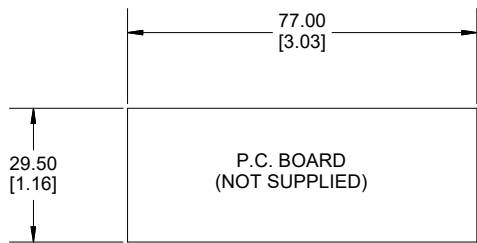
HAMMOND MANUFACTURING
1593W
www.hammondmfg.com



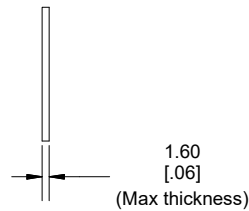
1593W PCB BOTTOM



1593W PCB TOP



1593W PCB VERTICAL



PCB CANNOT BE ORDERED. FOR REFERENCE ONLY.



**HAMMOND
MANUFACTURING®**
1593W PCB
www.hammondmfg.com

Dimensions:
mm
[inches]