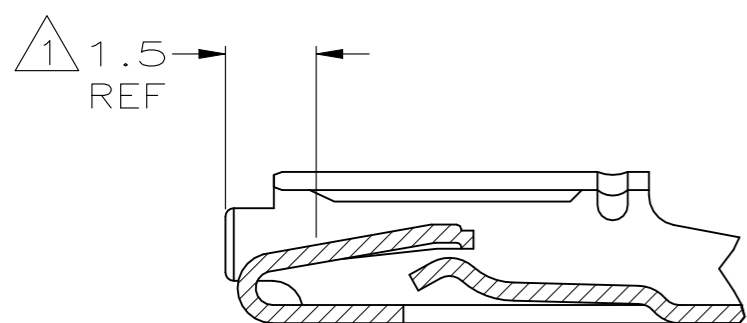
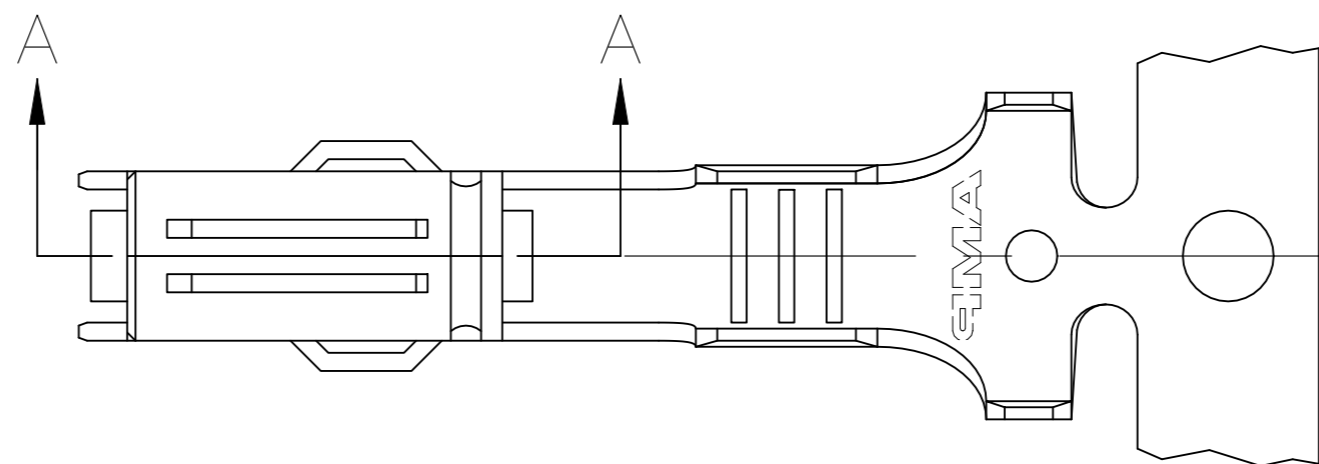
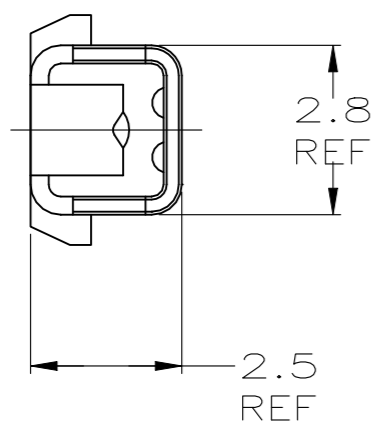
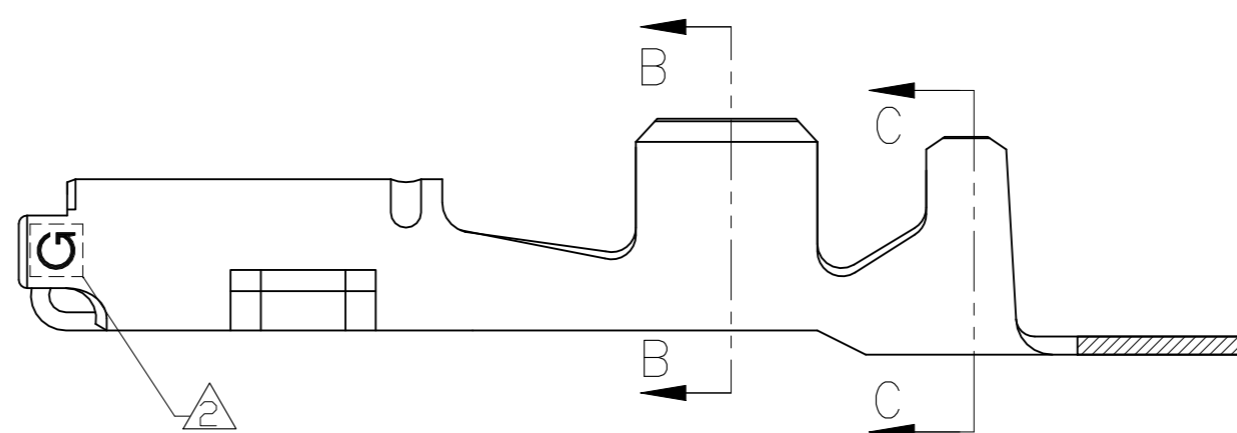


REVISIONS				
P	LTR	DESCRIPTION	DATE	APVD
	D	REVISED PER ECO-21-002133	15APR2021	SM AH

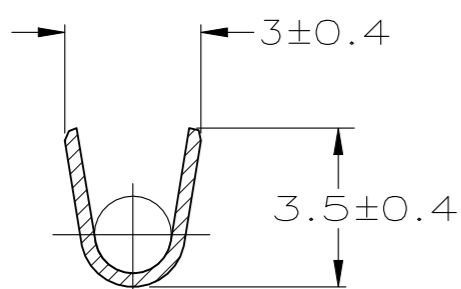
- ① NYE FLUOROETHER GREASE
- ② FOR GOLD PLATED PART ONLY - AT LEAST ONE "G" INDICATOR MUST BE VISIBLE IN THIS LOCATION ON EITHER SIDE INDICATING GOLD PLATED CONTACT



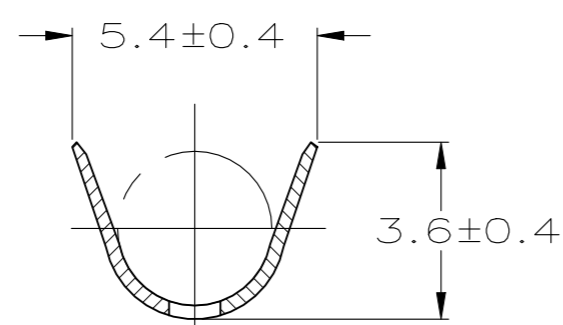
SECTION A-A  
SCALE 8:1



TIN	1.2 - 2.7 $\phi$	AVS 0.5 - 2.0mm <sup>2</sup> (#20 - #14 AWG)	184289-3
SELECT GOLD	1.2 - 2.7 $\phi$	AVS 0.5 - 2.0mm <sup>2</sup> (#20 - #14 AWG)	184289-1
FINISH	INSULATION DIAMETER	WIRE RANGE	PART NUMBER



SECTION B-B



SECTION C-C

THIS DRAWING IS A CONTROLLED DOCUMENT.		DWN K.WISE 04/14/97	<b>STE</b> TE Connectivity	
		CHK E.OSWANDEL 04/15/97		
		APVD E.OSWANDEL 04/15/97	NAME CONTACT, RECEPTACLE, .070	
DIMENSIONS: mm		TOLERANCES UNLESS OTHERWISE SPECIFIED:		
		0 PLC	± -	
		1 PLC	± 0.3	
		2 PLC	± -	
		3 PLC	± -	
		4 PLC	± -	
MATERIAL PH BRZ (0.3 THK)		FINISH -		
		PRODUCT SPEC -		
		APPLICATION SPEC -		
		WEIGHT 0		
		SIZE A3	CAGE CODE 00779	DRAWING NO C-184289
		CUSTOMER DRAWING		RESTRICTED TO -
		SCALE 8:1	SHEET 1 OF 1	REV D