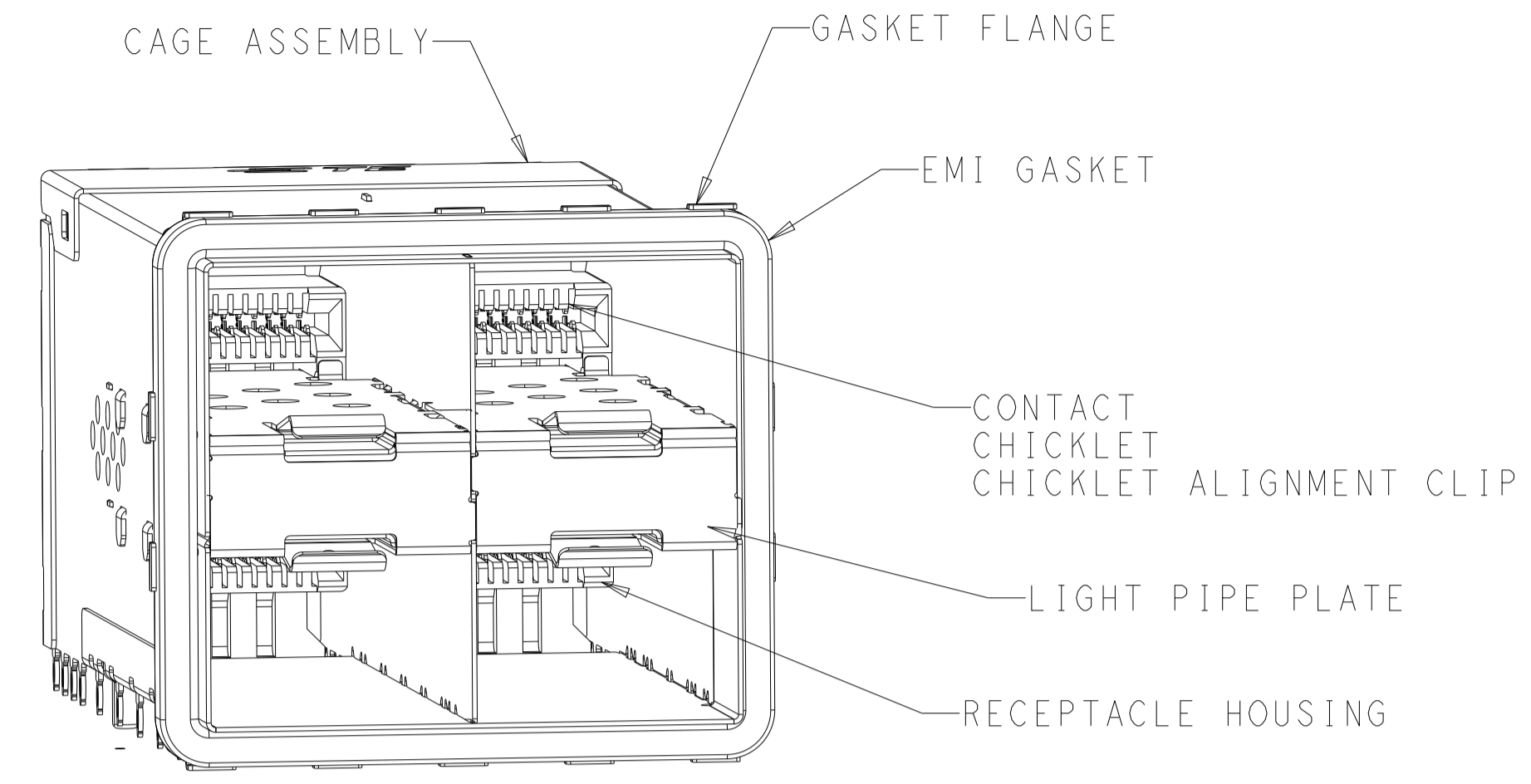
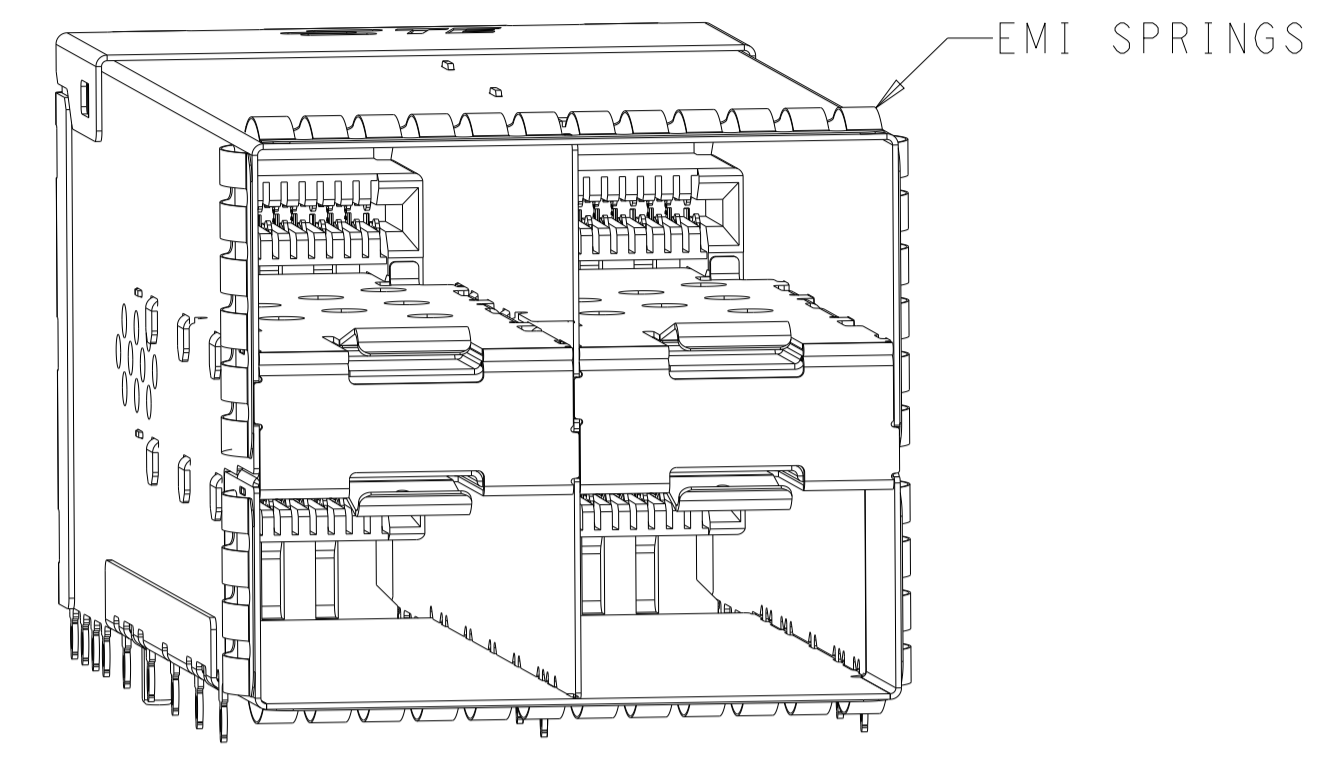


LOC		DIST		REVISIONS			
GP	00	P	LTN	DESCRIPTION	DATE	OWN	APVD
E				REVISED PER ECO-20-014521	13OCT2020	JY	SH
E1				ADD NEW DASH NUMBER 3--4	17MAR2021	SZ	SZ
E2				ADD 4-4 PER ECN-21-106868	09JUN2021	SZ	SZ



2343522-1  
SCALE 3:1



2343522-5  
SCALE 3:1

- MATERIALS:  
 CAGE ASSEMBLY - NICKEL-SILVER ALLOY PER ASTM B 122 OR WITH NICKEL PLATED FOR CUSTOMIZED SPEC  
 CONNECTOR HOUSING - LCP, BLACK, UL 94V-0 RATED  
 CHICKLET - LCP, BLACK, UL 94V-0 RATED  
 CHICKLET ALIGNMENT CLIP - LCP, BLACK, UL 94V-0 RATED  
 CONTACT - COPPER ALLOY  
 EMI GASKET - ELASTOMERIC  
 GASKET FLANGE - STAINLESS STEEL  
 EMI SPRINGS - PHOSPHOR BRONZE PER ASTM B 103, 0.8µm MIN TIN PER ASTM B 545  
 LIGHT PIPE - POLYCARBONATE  
 LIGHT PIPE PLATE - STAINLESS STEEL

- CONTACT FINISH:  
 0.76µm MIN GOLD PER ASTM B 844 AT MATING INTERFACE,  
 1.25µm MIN MATTE TIN PER ASTM B 545 AT PCB INTERFACE  
 ALLOVER 2.54µm MIN NICKEL PER QQ-N-290.

- PCB MINIMUM THICKNESS = 1.5mm

△ FOR HOLE SIZE AND PLATINGS, SEE APPLICATION SPECIFICATION 114-13319

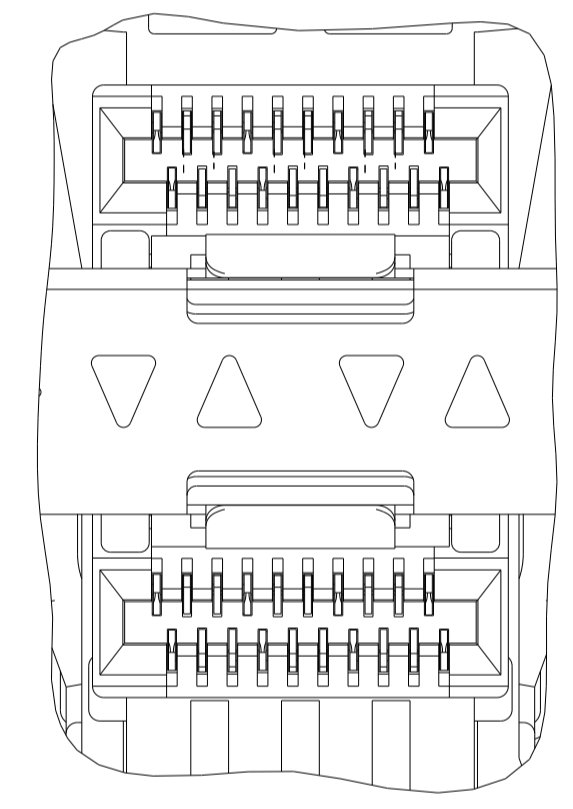
△ LIGHT PIPE PAD LAYOUT IS FOR 0805 LOW PROFILE LED PACKAGE WITH A HEIGHT OF 0.8mm

△ DIMENSIONS APPLY FOR EMI SPRINGS ONLY

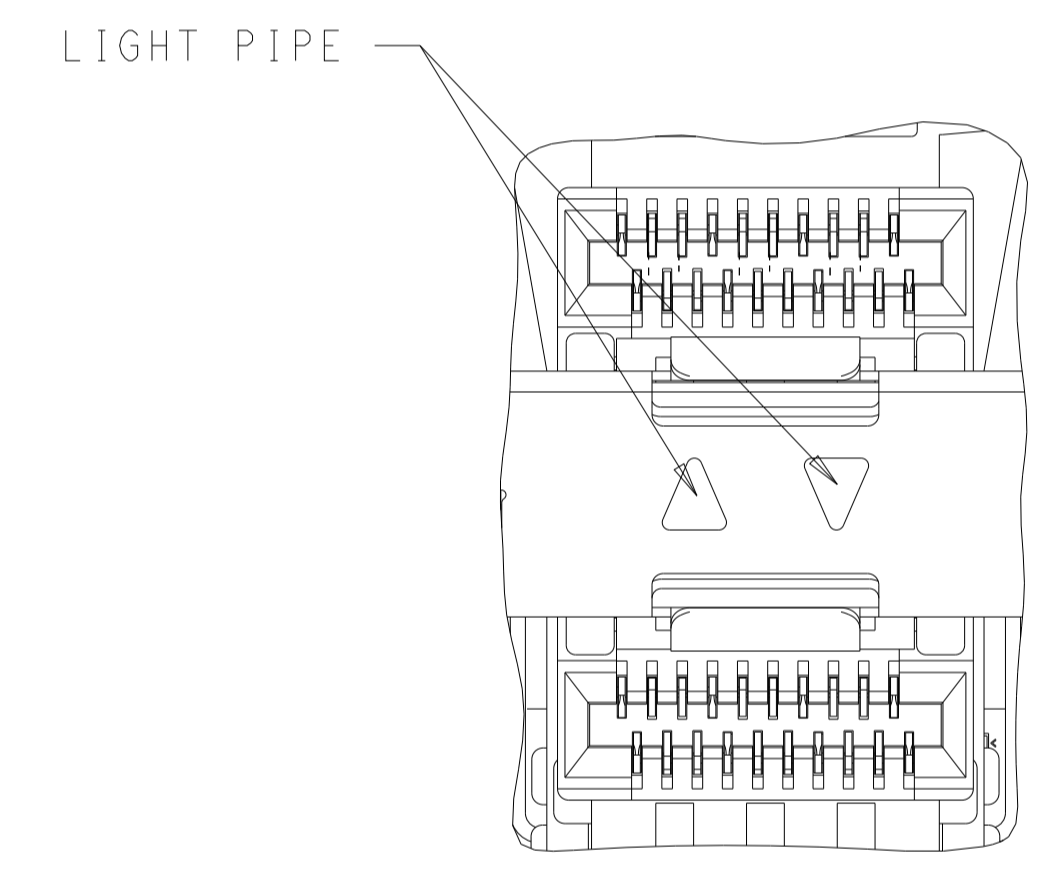
△ THE ENTIRE AREA OF THE CONNECTOR FOOTPRINT, INDICATED BY THE DASHED LINE, TO BE CONSIDERED THE KEEPOUT AREA FOR COMPONENTS AND SIGNAL TRACES, TOP SIDE ONLY, TOP SIDE TRACES ALLOWED WITHIN CONNECTOR HOLE PATTERN

△ LOW Br/Ci AS DEFINED IN TEC-138-702.

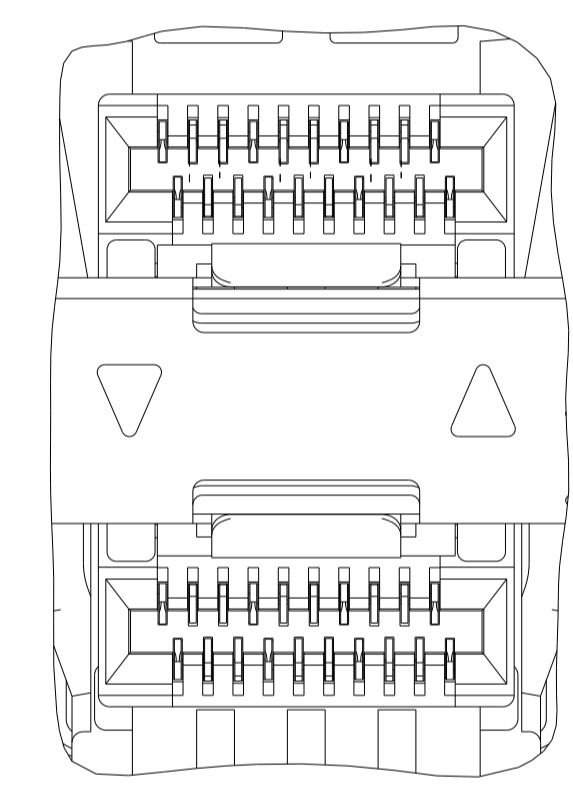
△ LIGHT PIPE COATED VERSION



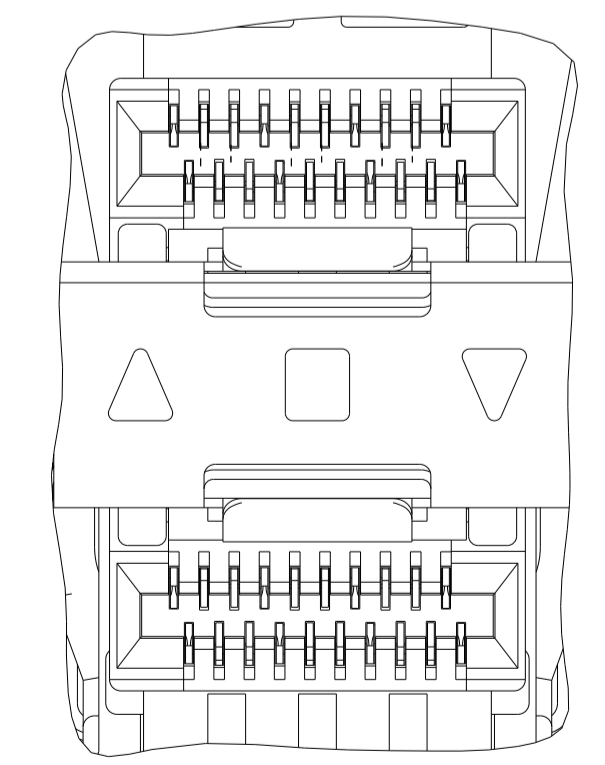
INNER/OUTER LIGHT PIPES  
2343522-2, 2343522-6, 5-2343522-6  
SCALE 5:1



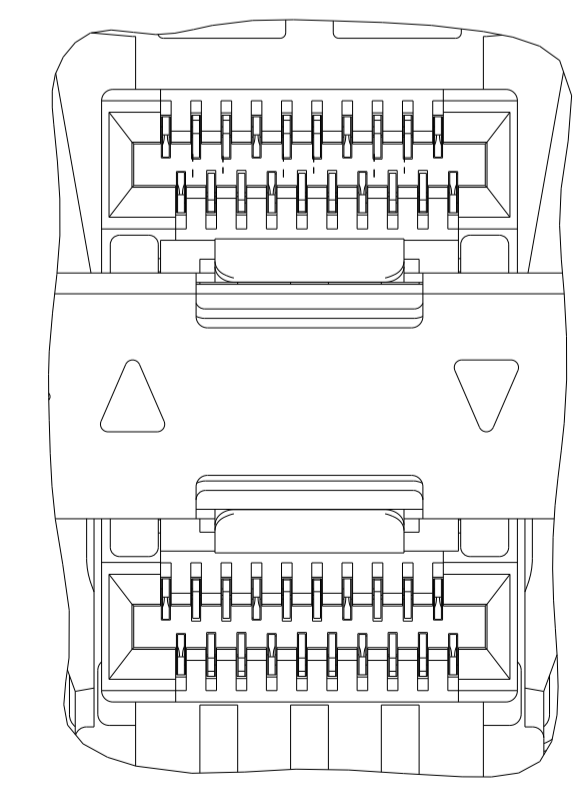
INNER LIGHT PIPES  
2343522-3, 2343522-7  
SCALE 5:1



OUTER LIGHT PIPES  
2343522-4, 2343522-8, 5-2343522-8  
SCALE 5:1



CENTER/REVERSED OUTER LIGHT PIPES  
1-2343522-7, 1-2343522-9  
SCALE 5:1



REVERSED OUTER LIGHT PIPES  
1-2343522-8, 2-2343522-0  
SCALE 5:1

31	EMI SPRINGS AND CAGE W Ni PLATED	OUTER	5-2343522-8 △8
31	EMI SPRINGS AND CAGE W Ni PLATED	INNER/OUTER	5-2343522-6 △8
31	EMI SPRINGS AND CAGE W Ni PLATED	REVERSED OUTER	5-2343522-3
31	EMI SPRINGS W Ni PLATED	REVERSED OUTER	4-2343522-4 △9
31	EMI SPRINGS W Ni PLATED	REVERSED OUTER	4-2343522-3
31	EMI SPRINGS	CENTER/REVERSED OUTER	3-2343522-4
31	EMI SPRINGS	REVERSED OUTER	3-2343522-3
31	EMI SPRINGS	REVERSED OUTER	2-2343522-0
31	EMI SPRINGS	CENTER/REVERSED OUTER	1-2343522-9
33.75	EMI GASKET	REVERSED OUTER	1-2343522-8
31	EMI GASKET	CENTER/REVERSED OUTER	1-2343522-7
31	EMI SPRINGS	OUTER	2343522-8
31	EMI SPRINGS	INNER	2343522-7
31	EMI SPRINGS	INNER/OUTER	2343522-6
31	EMI SPRINGS	NONE	2343522-5
33.75	EMI GASKET	OUTER	2343522-4
33.75	EMI GASKET	INNER	2343522-3
33.75	EMI GASKET	INNER/OUTER	2343522-2
33.75	EMI GASKET	NONE	2343522-1
(E)	CAGE TYPE	LIGHT PIPE CONFIGURATION	PART NUMBER

THIS DRAWING IS A CONTROLLED DOCUMENT. OWN: LEO LI 04SEP2018  
 CHK: SEAN HAN 04SEP2018  
 APVD: SEAN HAN 04SEP2018

TE Connectivity

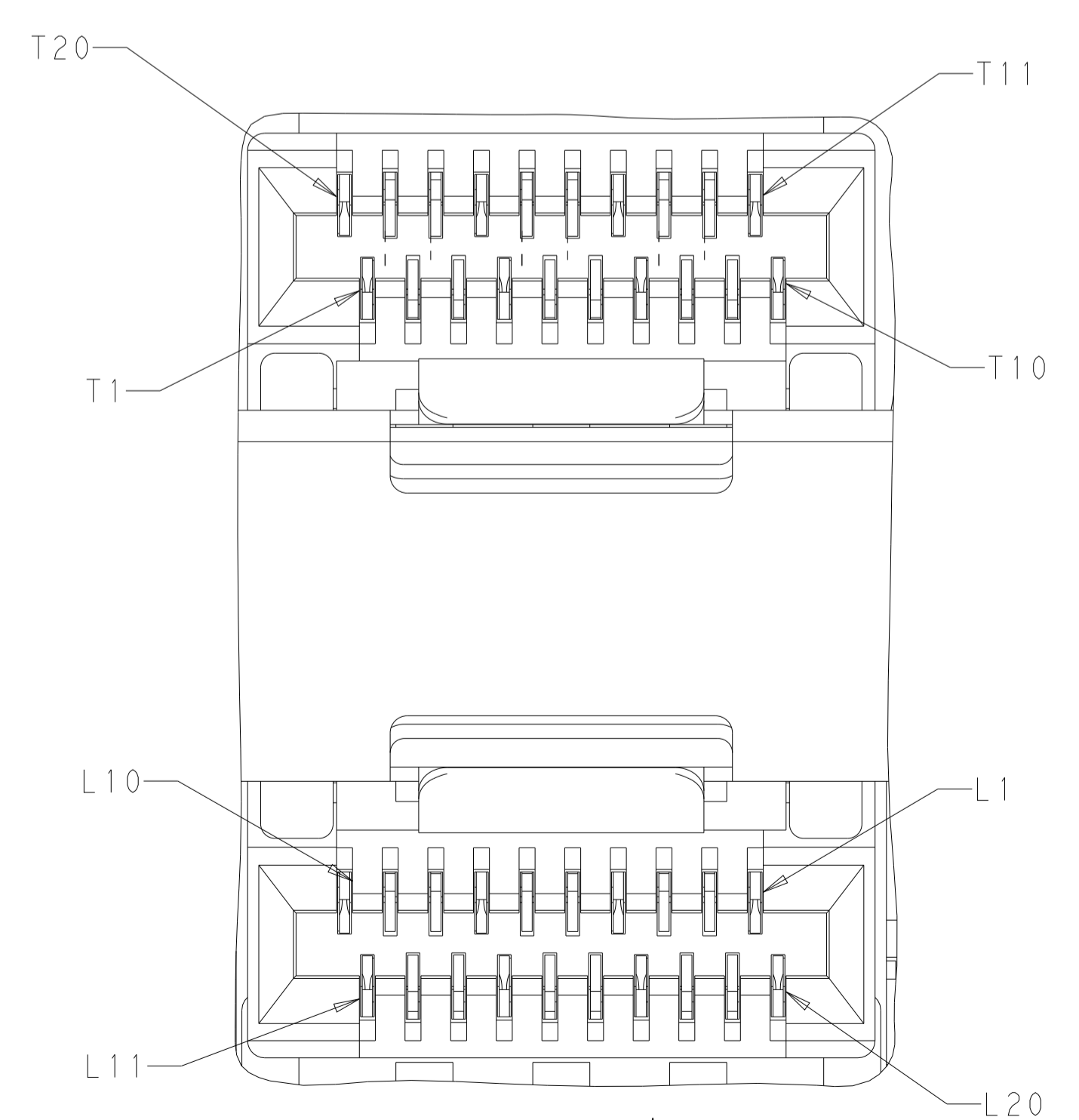
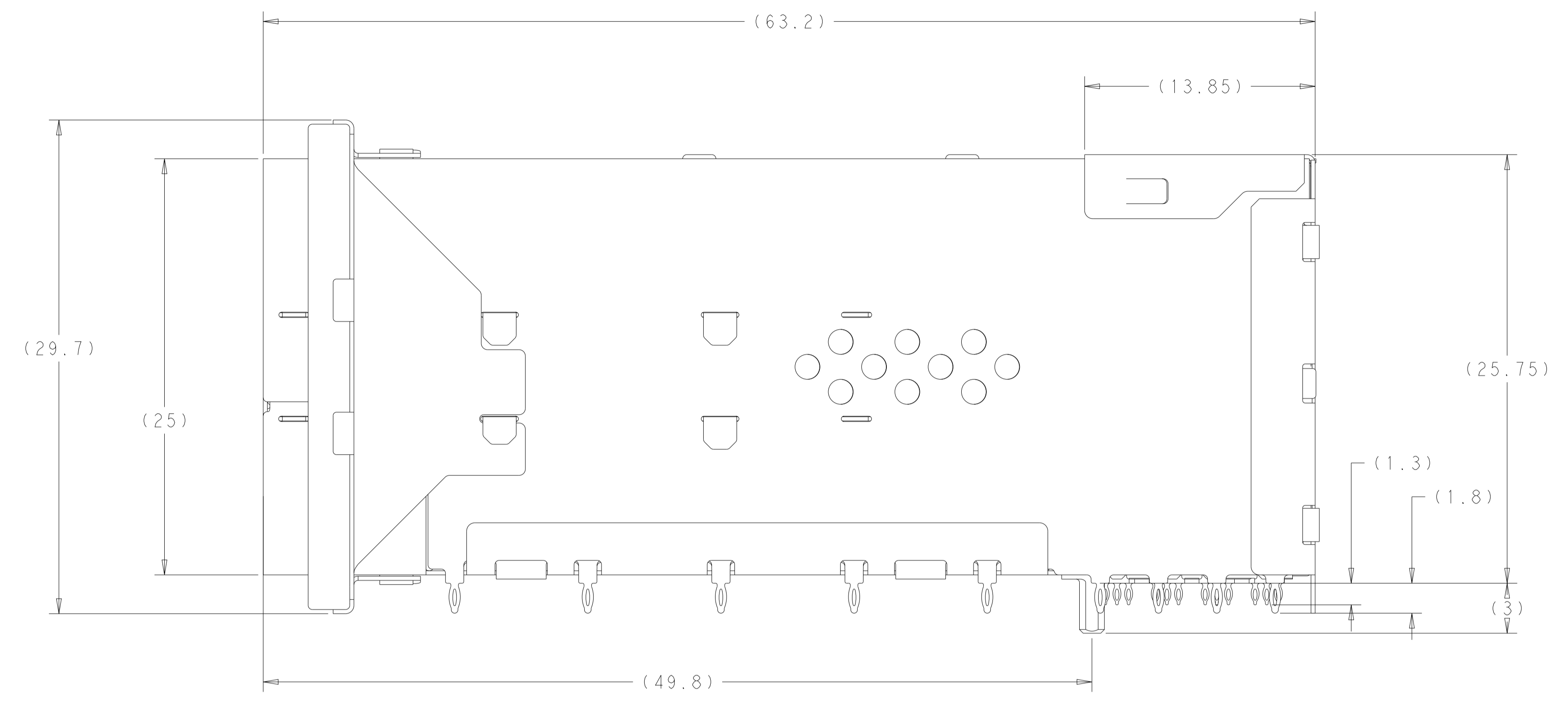
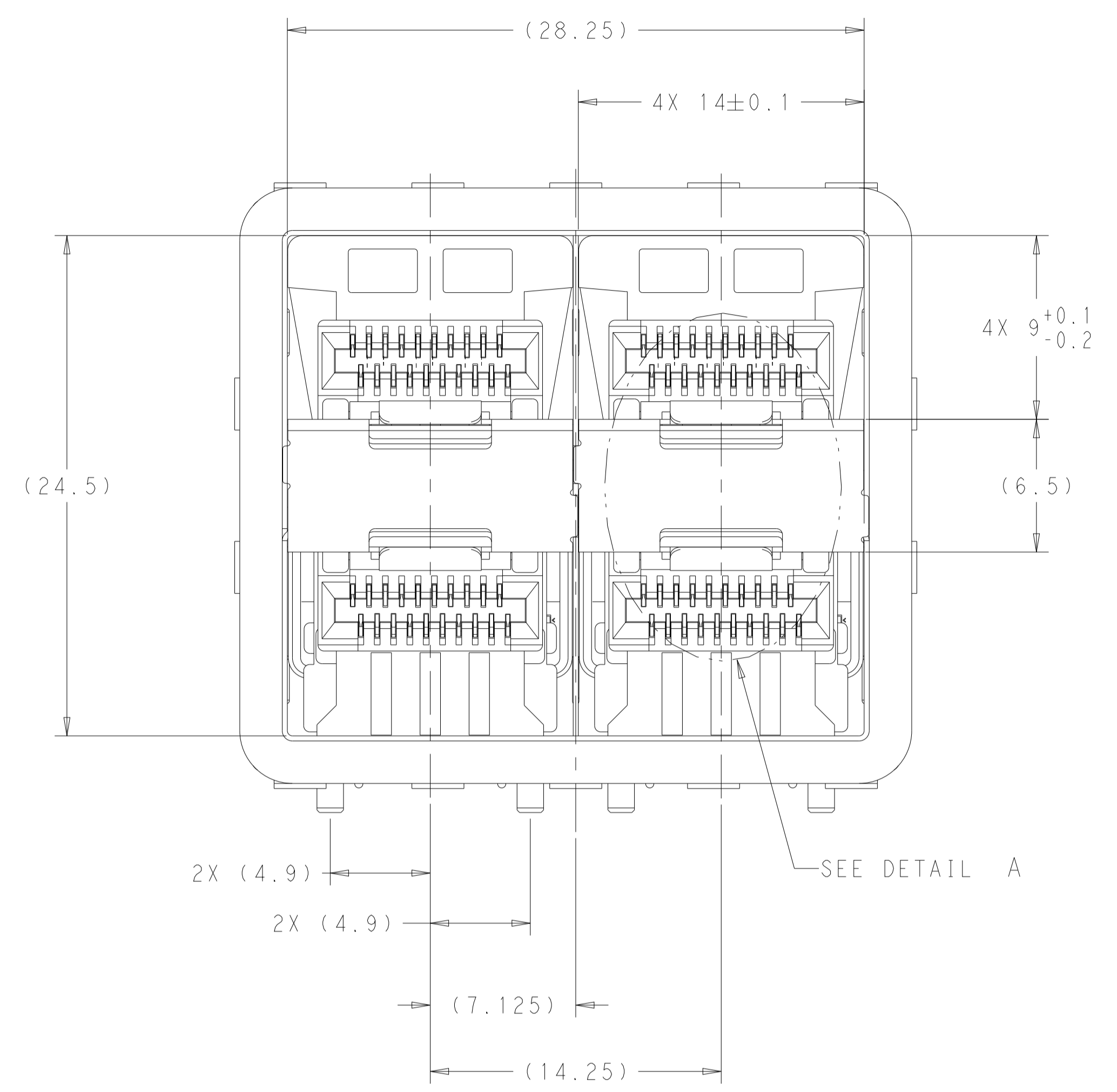
RECEPTACLE ASSEMBLY, 2X2, STACKED, SFP56

SIZE: A1 00779 C=2343522  
 SCALE: 4:1 SHEET 1 OF 6 REV: E2

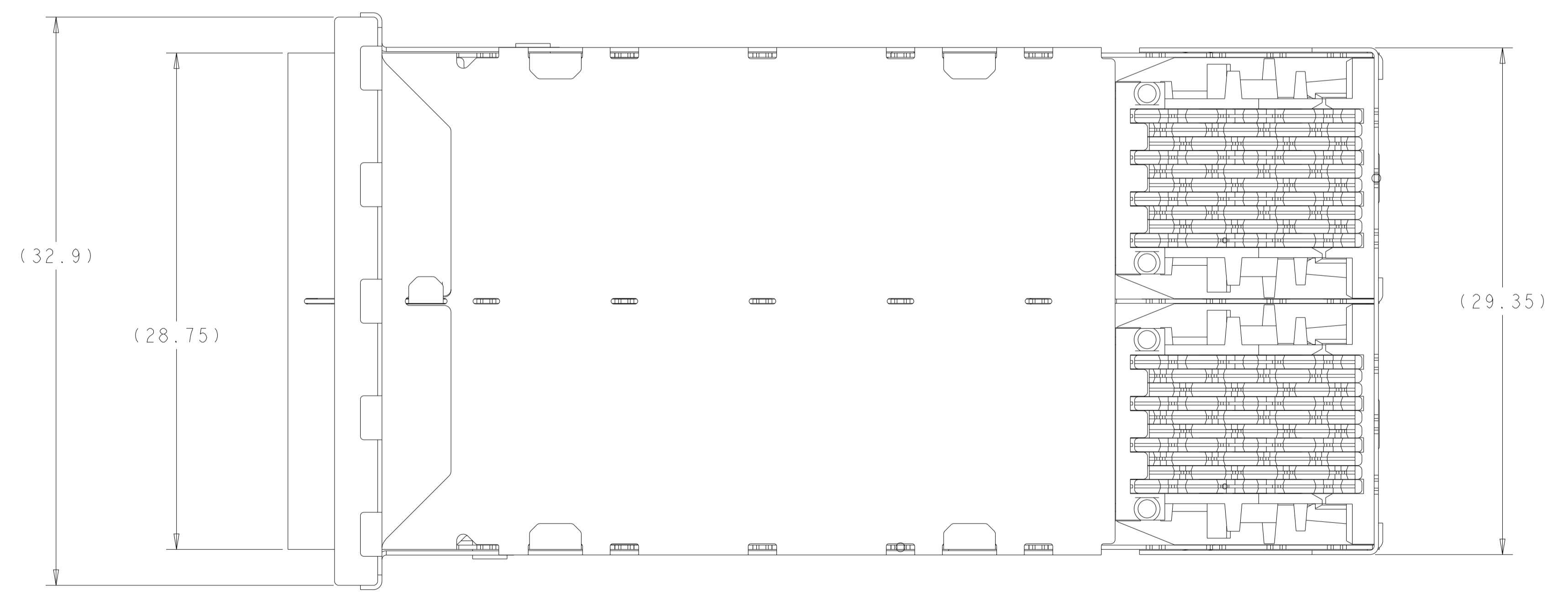
THIS DRAWING IS UNPUBLISHED. RELEASED FOR PUBLICATION. ALL RIGHTS RESERVED.

4805 (3/11)

LOC		DIST		REVISIONS			
P	LTN	DESCRIPTION	DATE	OWN	APVD		
-	-	SEE SHEET 1	-	-	-		



DETAIL A  
 2 PLACES  
 SCALE 10:1



THIS DRAWING IS A CONTROLLED DOCUMENT. OWN: LEO LI 04SEP2018  
 CHK: SEAN HAN 04SEP2018  
 APVD: SEAN HAN 04SEP2018

TE Connectivity

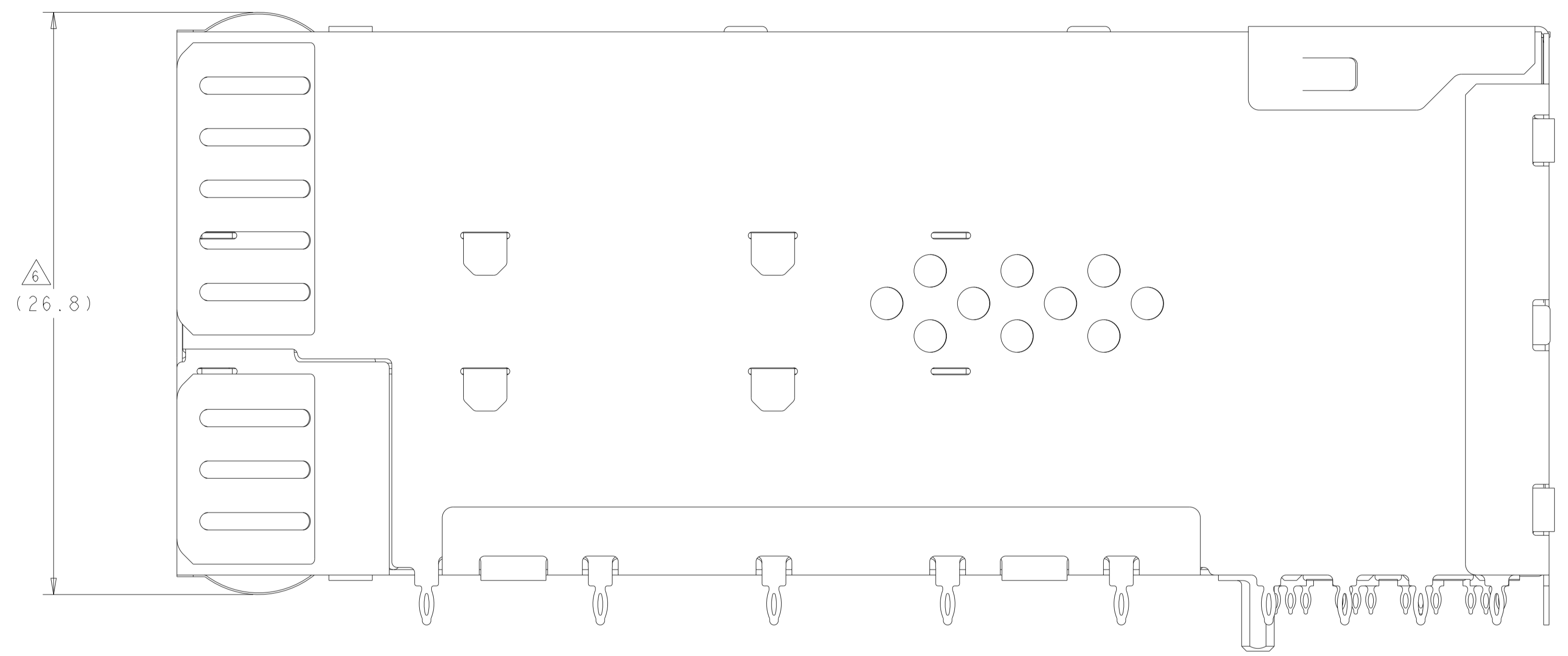
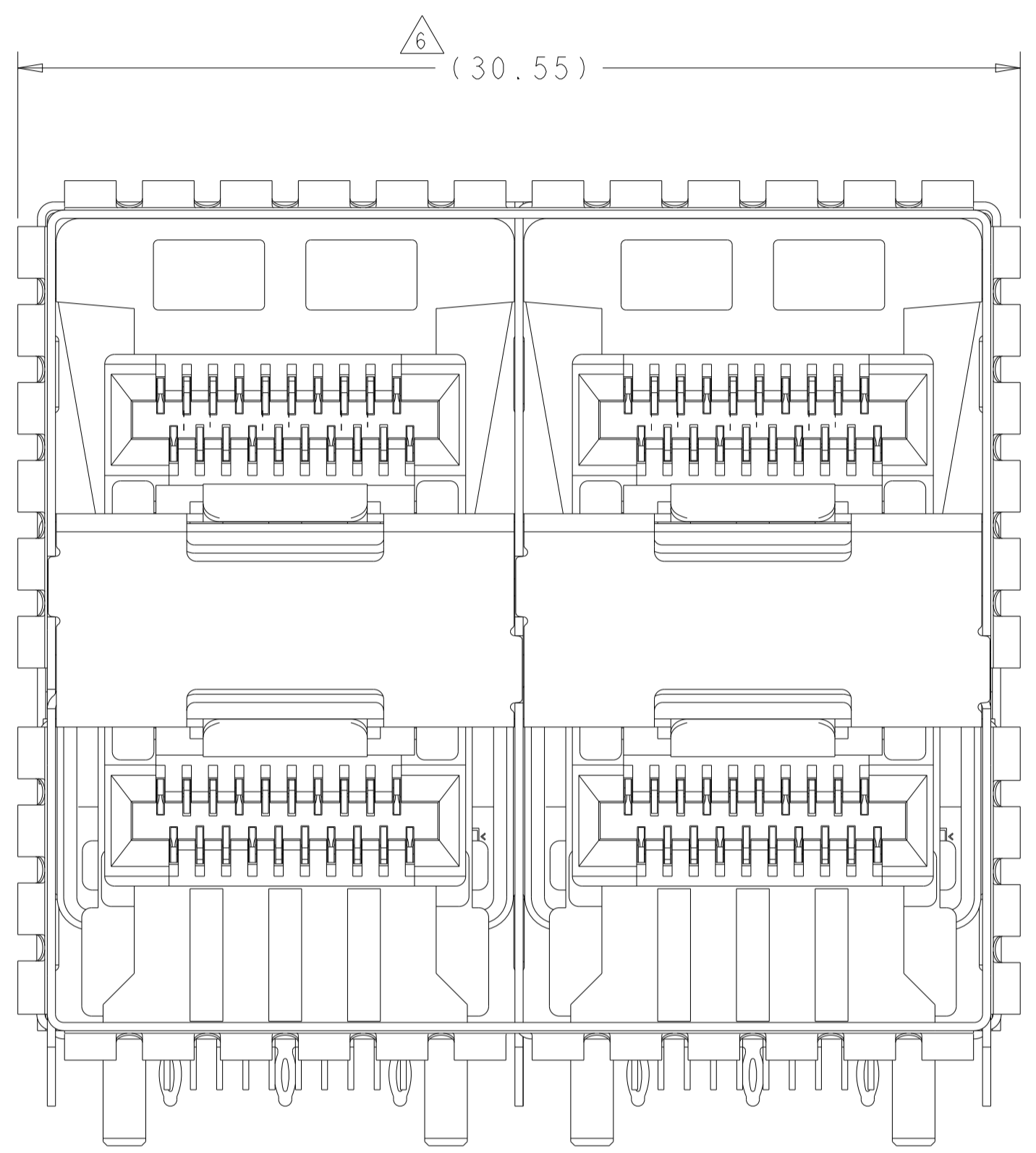
RECEPTACLE ASSEMBLY, 2X2, STACKED, SFP56

108-2481  
 APPLICATION SPEC

114-13319

SCALE 5:1 SHEET 2 OF 6 REV E2

LOC	DIST	REVISIONS			
P	LTN	DESCRIPTION	DATE	DMN	APVD
GP	00	SEE SHEET 1	-	-	-

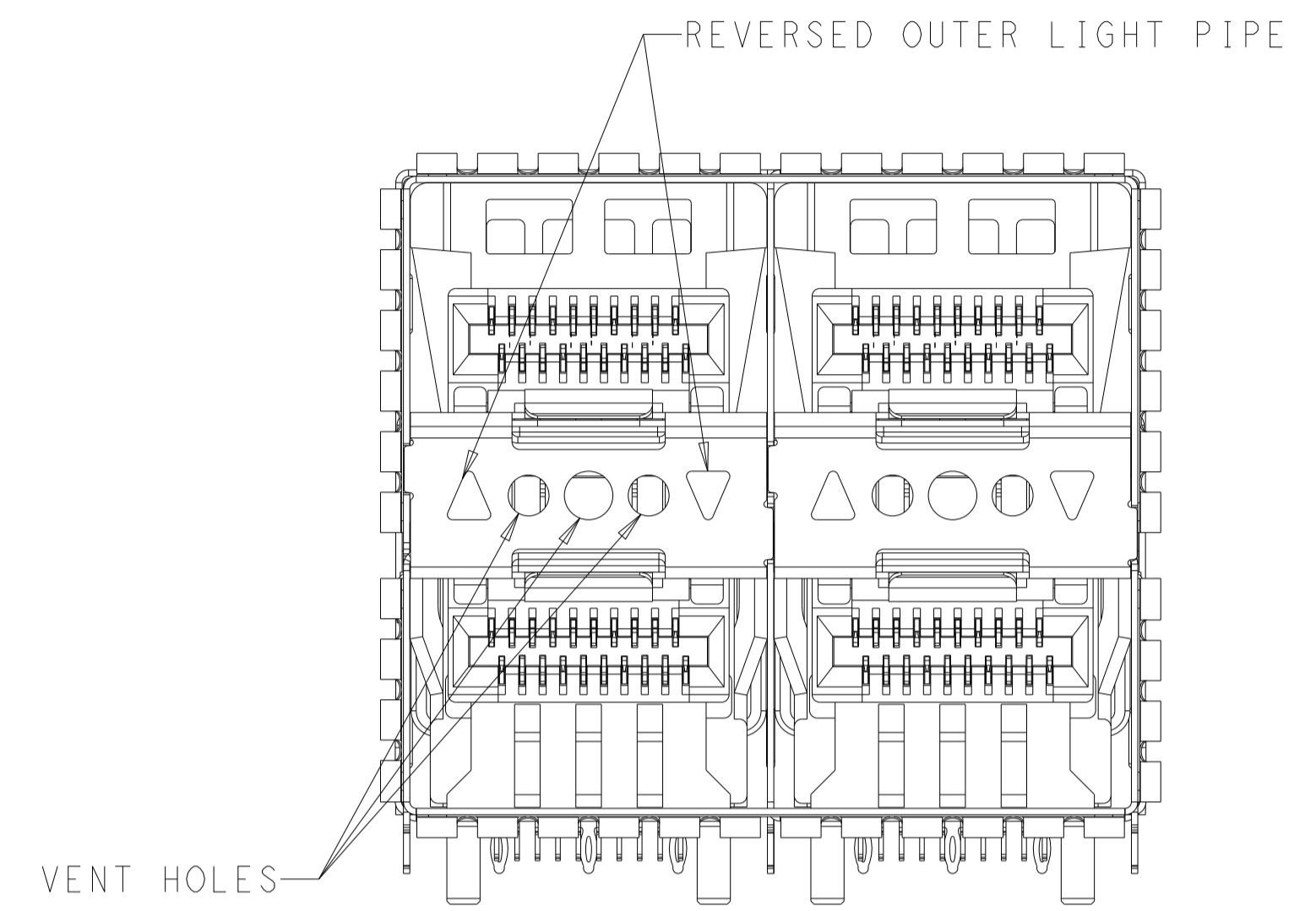


2343522-5 THRU 2343522-8, 1-2343522-9, 2-2343522-0,  
 5-2343522-6, 5-2343522-8  
 EMI SPRINGS ONLY  
 SCALE 6:1

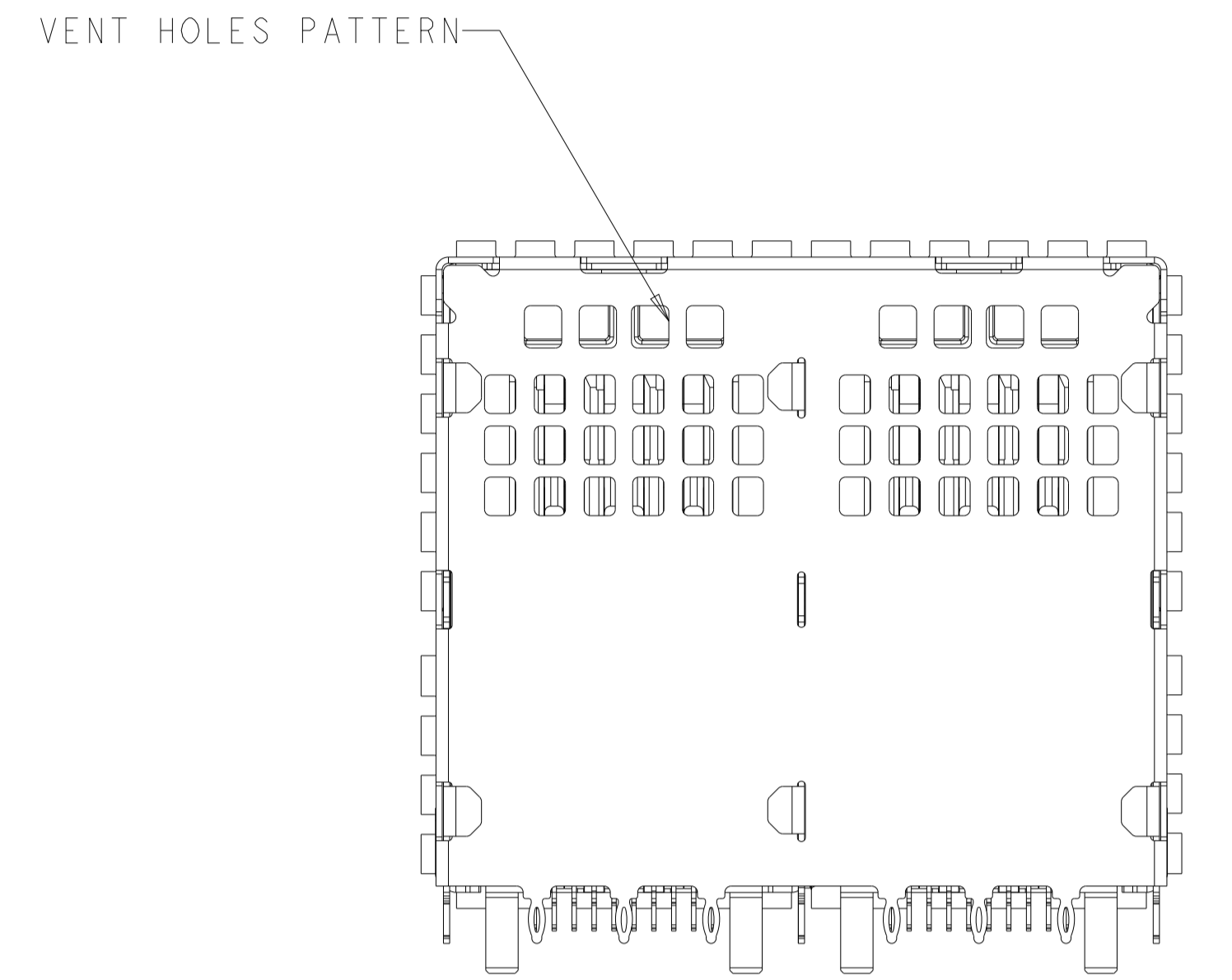
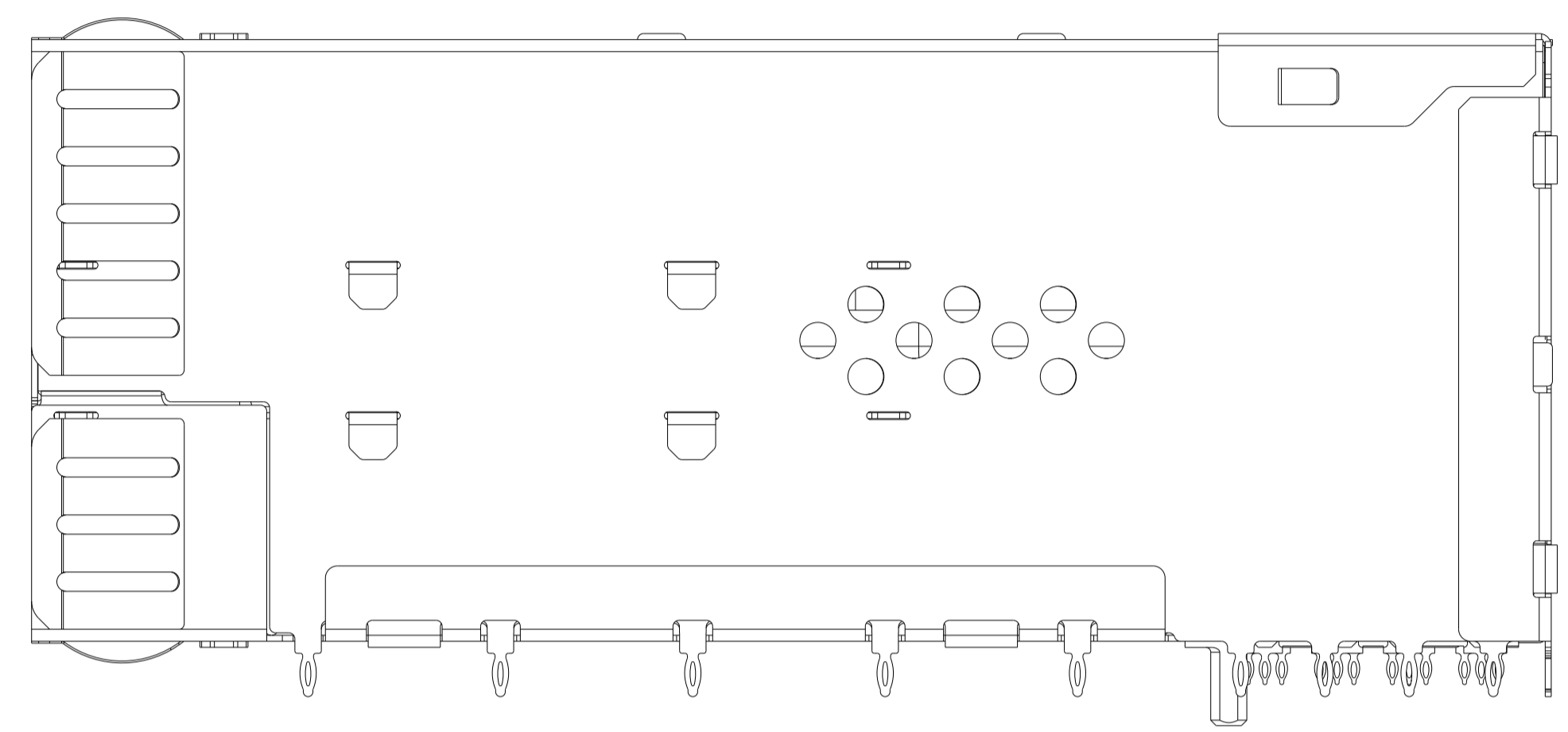
THIS DRAWING IS A CONTROLLED DOCUMENT.		OWN: LEO LI 04SEP2018	<b>TE</b> TE Connectivity
DIMENSIONS: mm		CHK: SEAN HAN 04SEP2018	
TOLERANCES UNLESS OTHERWISE SPECIFIED:		APVD: SEAN HAN 04SEP2018	NAME: RECEPTACLE ASSEMBLY, 2X2, STACKED, SFP56
0 PLC ±0.25		PRODUCT SPEC: 108-2481	
1 PLC ±0.25		APPLICATION SPEC: 114-13319	SIZE: A100779
2 PLC ±0.25		FINISH: ±0.05	CAGE CODE: C=2343522
3 PLC ±0.25		ANGLES: ±5°	RESTRICTED TO: -
4 PLC ±0.25		WEIGHT: -	SCALE: 4:1
MATERIAL: SEE NOTES		CUSTOMER DRAWING	SHEET 3 OF 6
FINISH: SEE NOTES			REV: E2

LOC	DIST	REVISIONS			
P	LYR	DESCRIPTION	DATE	OWN	APVD
-	-	SEE SHEET 1	-	-	-

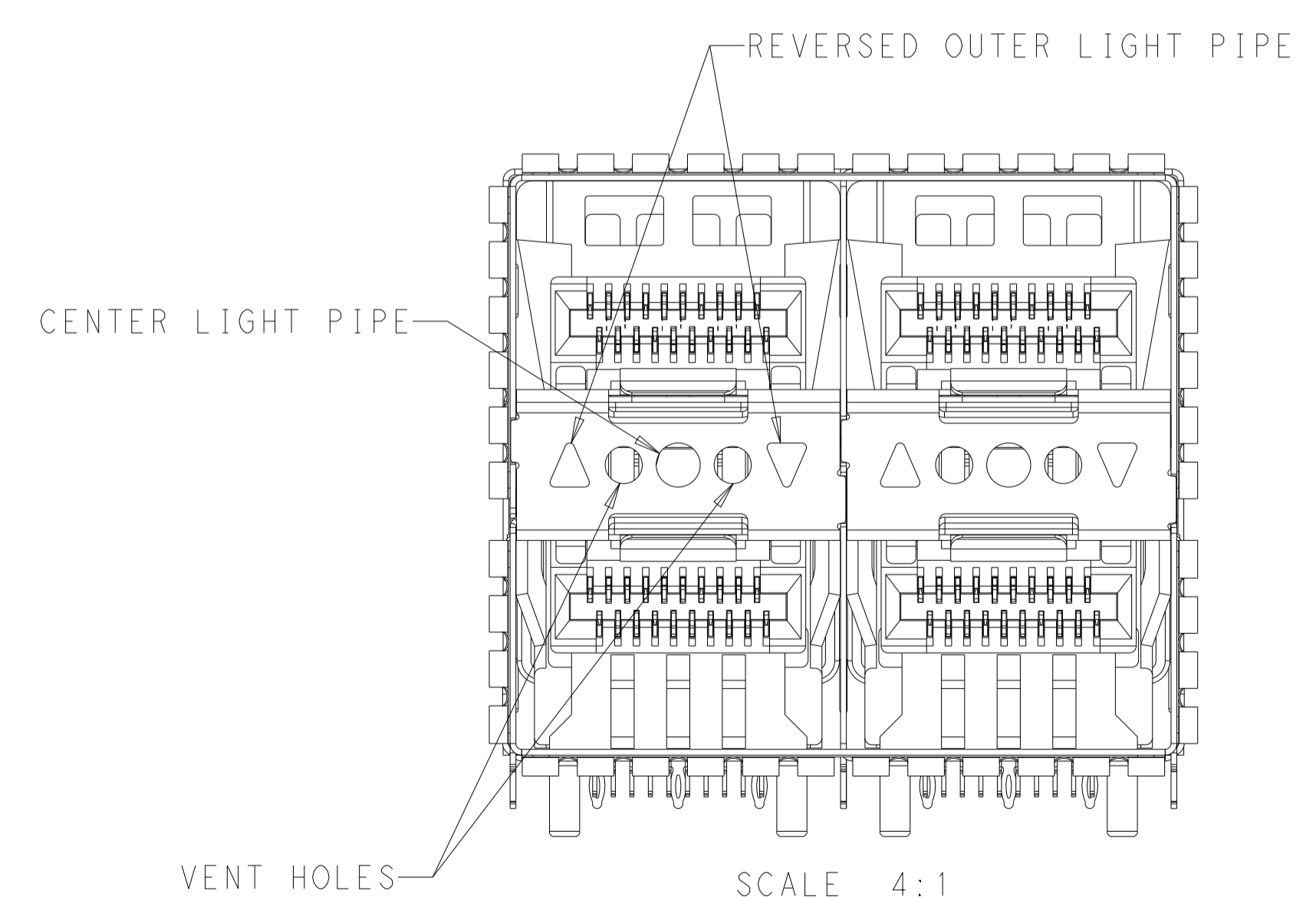
### 3-2343522-3, 4-2343522-3, 4-2343522-4, 5-2343522-3 AIR FLOW ENHANCED VERSION UNMARKED DIMENSION SAME AS 2343522-5



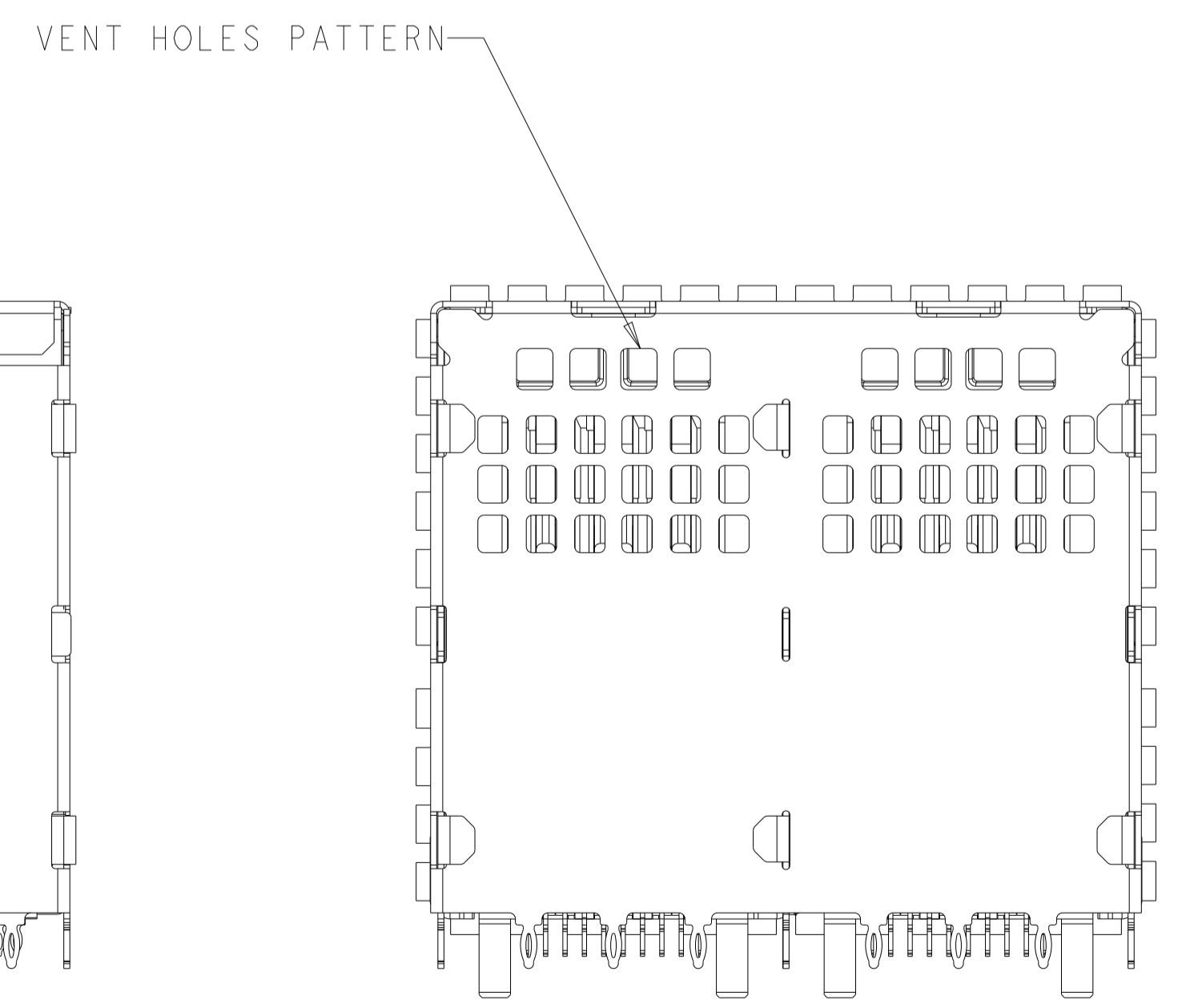
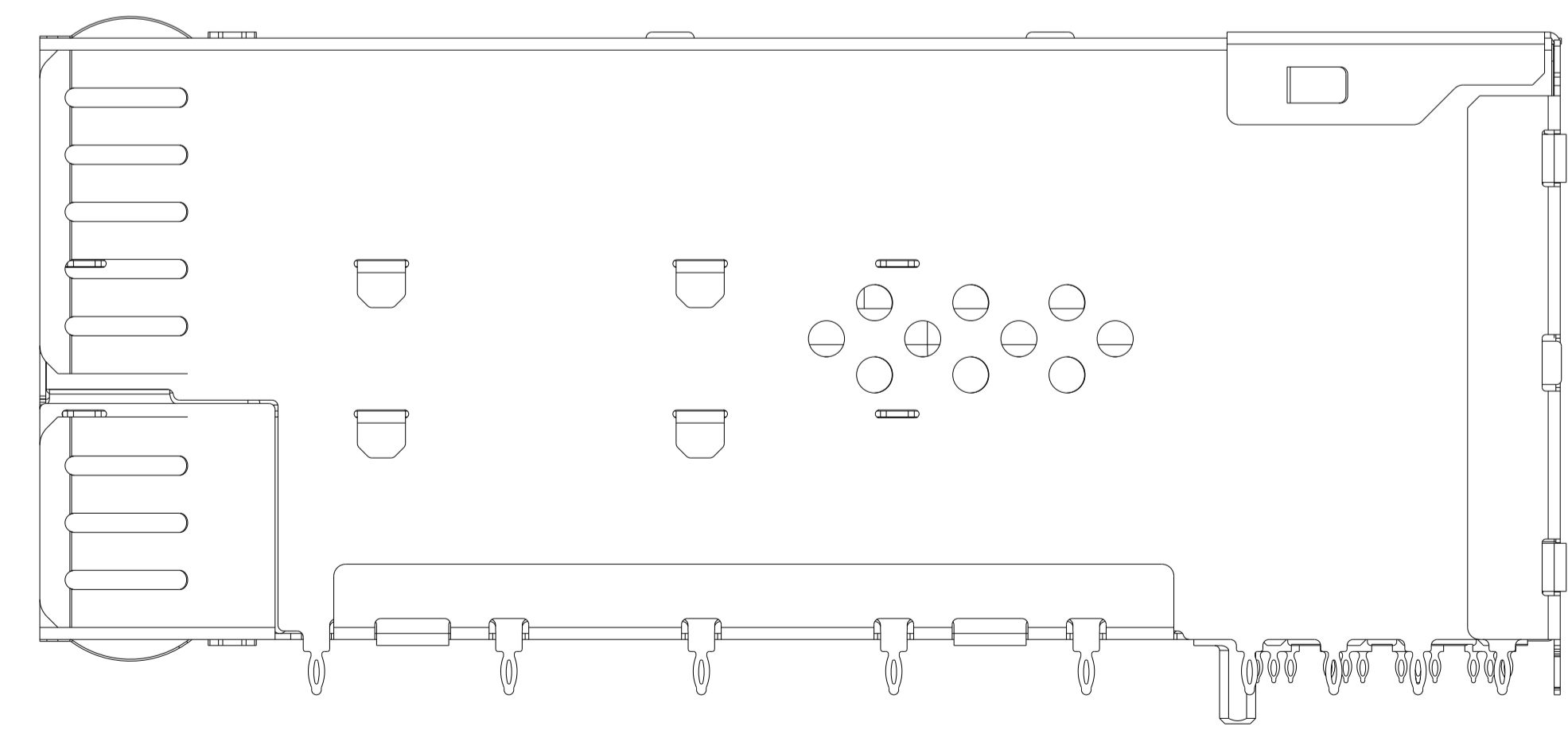
SCALE 4:1



### 3-2343522-4 AIR FLOW ENHANCED VERSION UNMARKED DIMENSION SAME AS 2343522-5

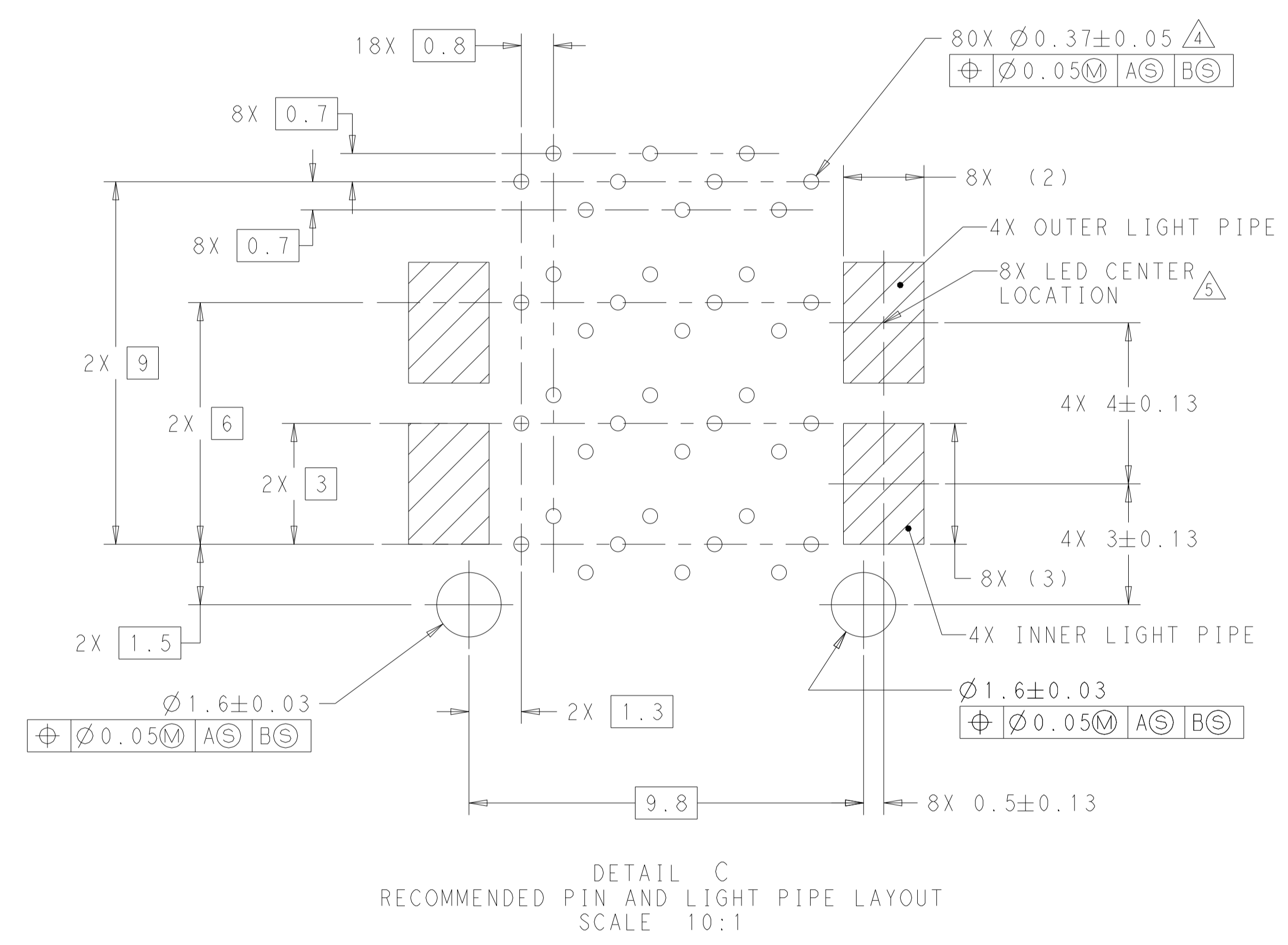
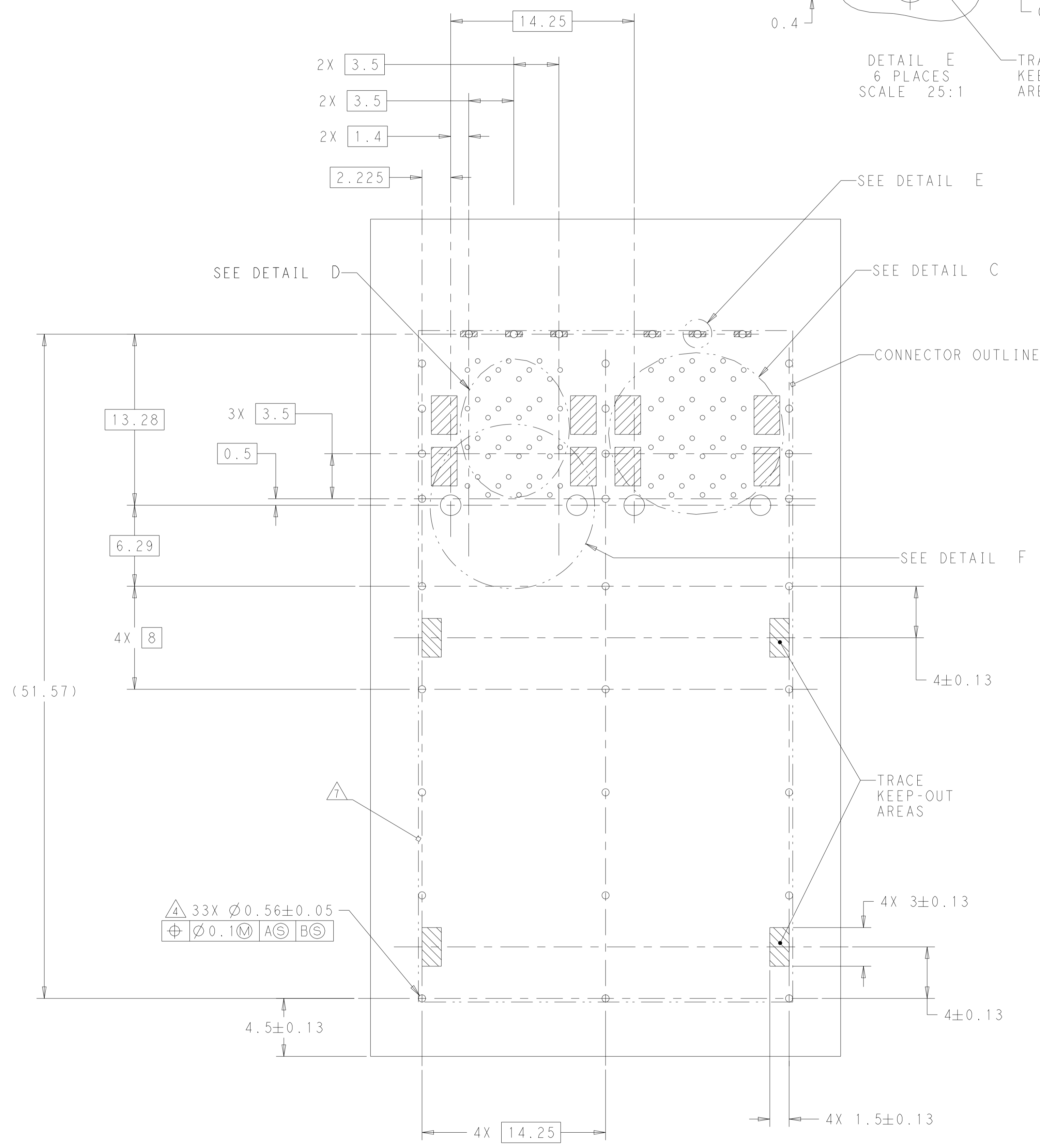
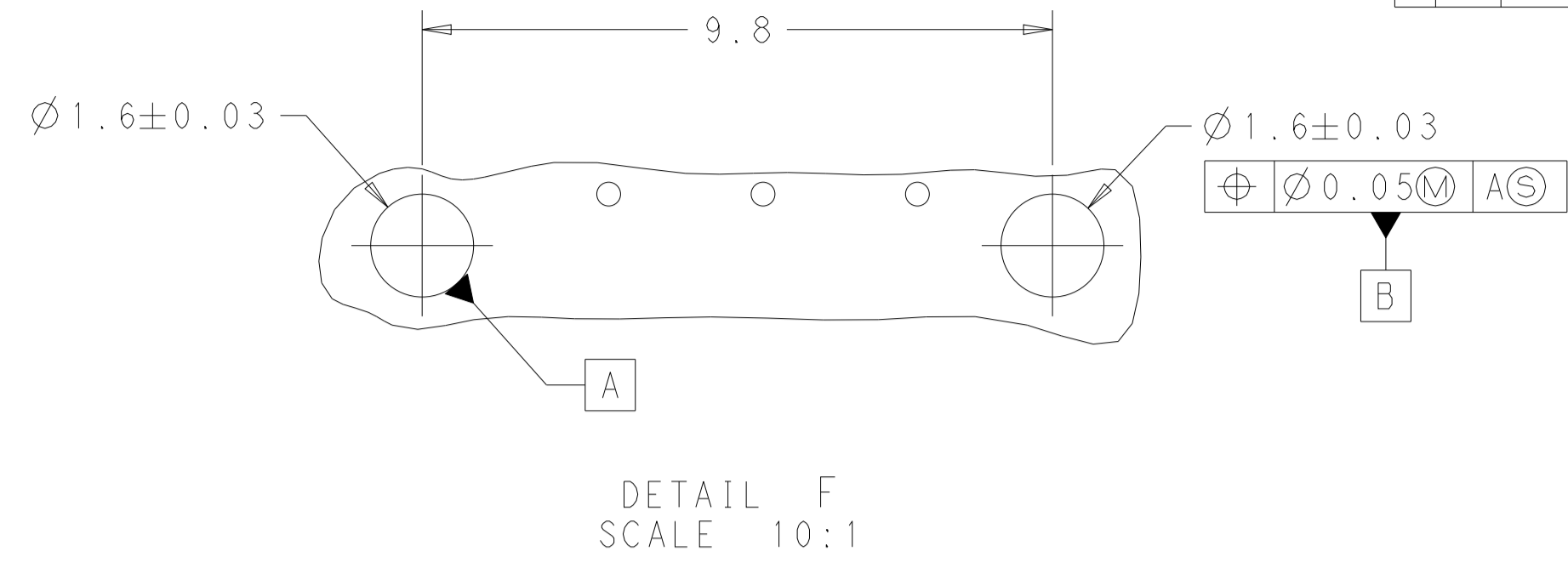
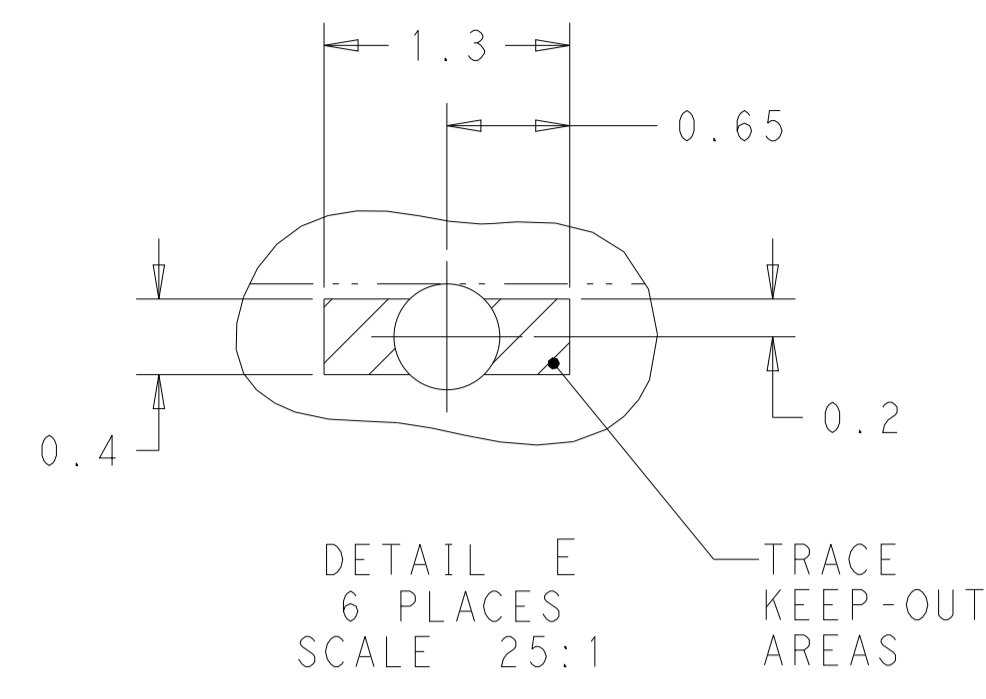


SCALE 4:1



THIS DRAWING IS A CONTROLLED DOCUMENT.		OWN: LEO LI 04SEP2018	TE Connectivity NAME: RECEPTACLE ASSEMBLY, 2X2, STACKED, SFP56 SIZE: A1 CAGE CODE: 108-2481 DRAWING NO: 00779 DRAWING NO: 2343522	RESTRICTED TO	
DIMENSIONS: mm		CHK: SEAN HAN 04SEP2018		SCALE: 4:1	SHEET 4 OF 6
TOLERANCES UNLESS OTHERWISE SPECIFIED: 0 PLC ±0.25 1 PLC ±0.25 2 PLC ±0.25 3 PLC ±0.25 4 PLC ±0.25 ANGLES ±° FINISH SEE NOTES		APVD: SEAN HAN 04SEP2018		REV: E2	
MATERIAL: SEE NOTES		PRODUCT SPEC: 108-2481		APPLICATION SPEC: 114-13319	CUSTOMER DRAWING

LOC		DIST		REVISIONS			
GP	00	P	LYN	DESCRIPTION	DATE	OWN	APVD
		-	-	SEE SHEET 1	-	-	-



THIS DRAWING IS A CONTROLLED DOCUMENT.		OWN: LEO LI 04SEP2018	TE Connectivity
DIMENSIONS: mm		CHK: SEAN HAN 04SEP2018	
TOLERANCES UNLESS OTHERWISE SPECIFIED:		APVD: SEAN HAN 04SEP2018	NAME: RECEPTACLE ASSEMBLY, 2X2, STACKED, SFP56
0 PLC ±0.25		PRODUCT SPEC: 108-2481	
1 PLC ±0.25		APPLICATION SPEC: 114-13319	SIZE: A1 CAGE CODE: 00779 DRAWING NO: C=2343522
2 PLC ±0.25		WEIGHT: -	
3 PLC ±0.25		CUSTOMER DRAWING	RESTRICTED TO: -
4 PLC ±0.25		SCALE: 4:1	SHEET: 5 OF 6
ANGLES: ±5°		REV: E2	

LOC	DIST	REVISIONS			
GP	00	REV	DATE	BY	APPR
-	-	SEE SHEET 1	-	-	-

T19 ○ T16 ○ T13 ○  
 T20 ○ T17 ○ T14 ○ T11 ○  
 T18 ○ T15 ○ T12 ○

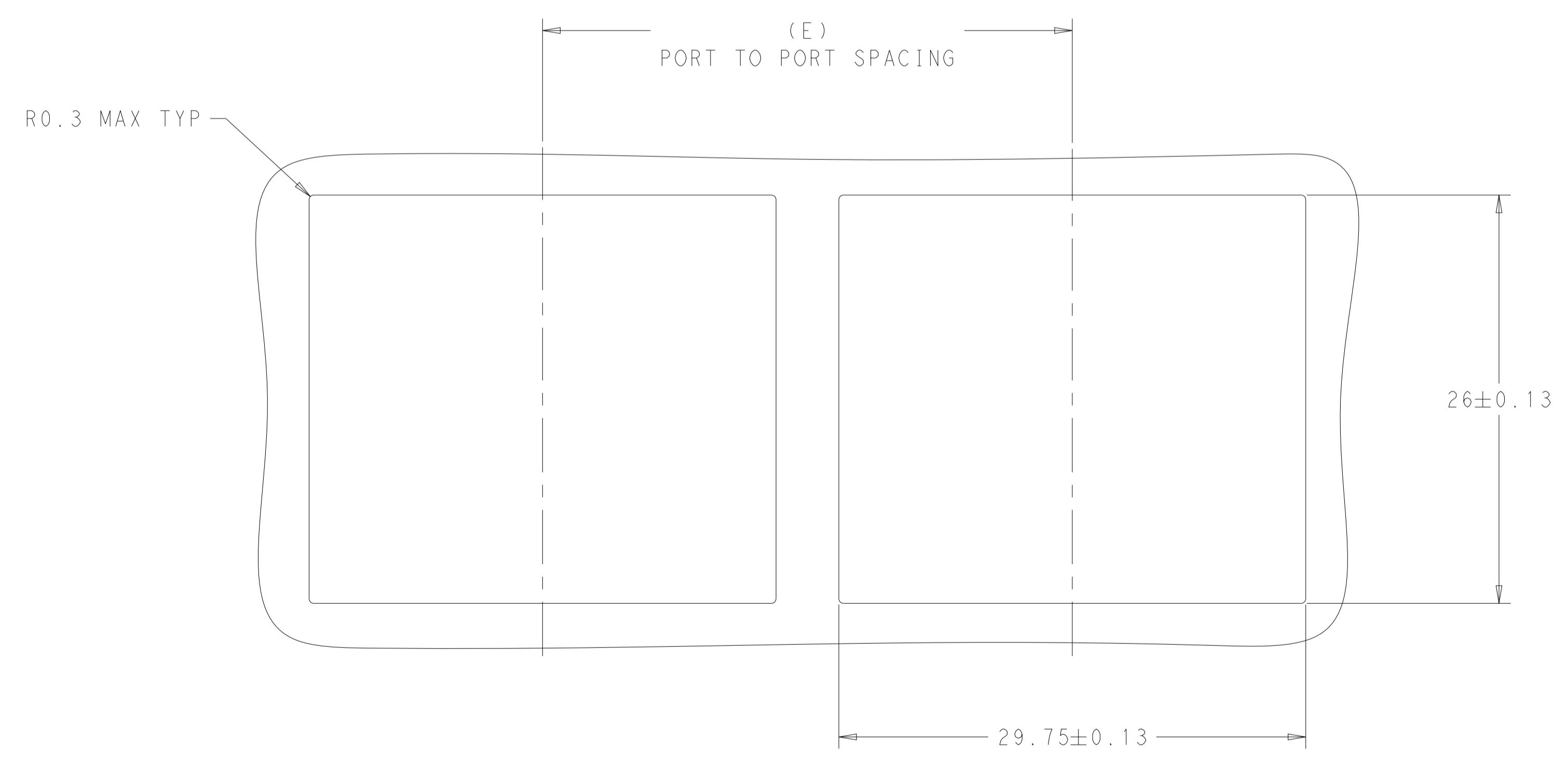
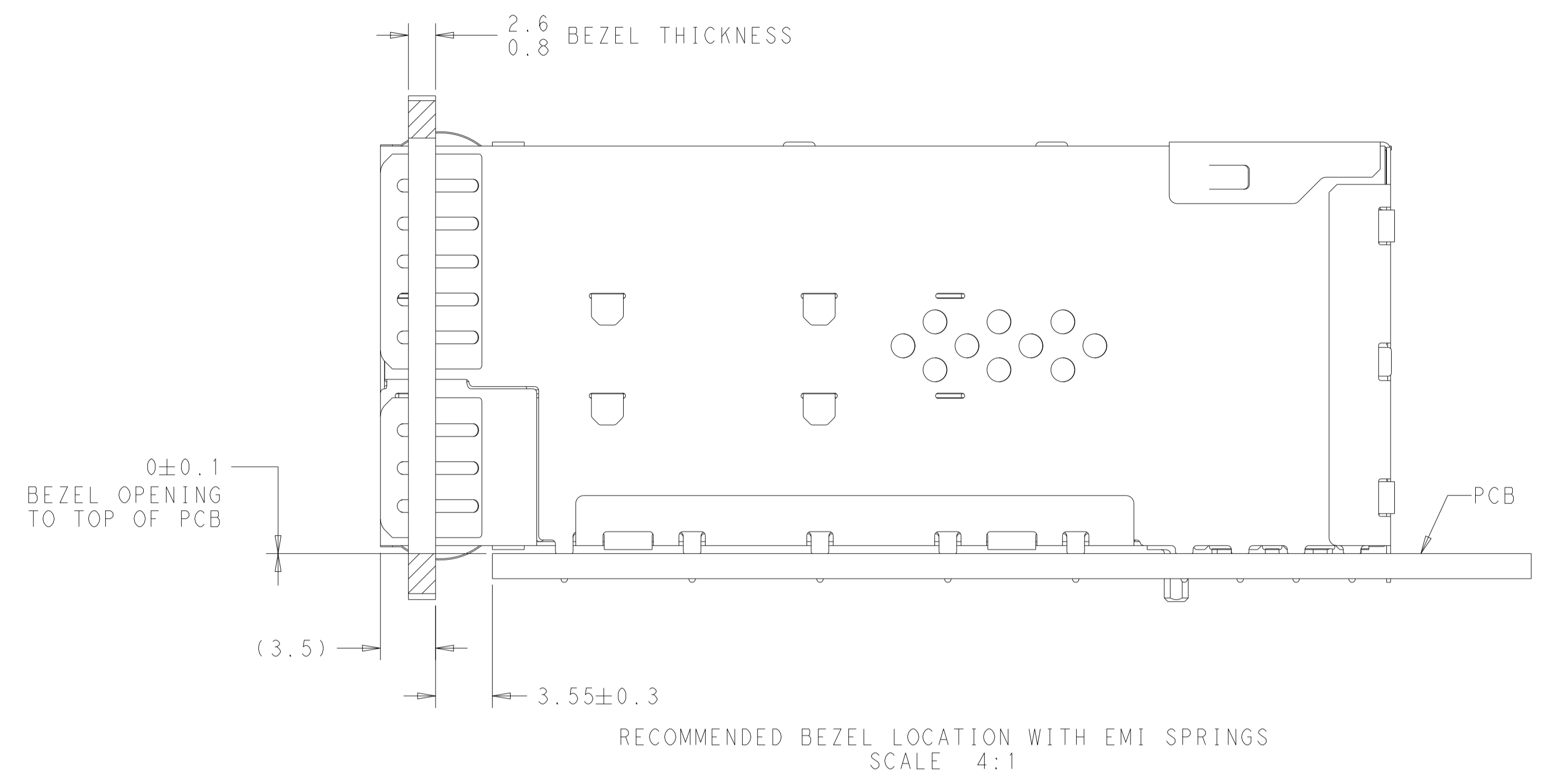
T2 ○ T5 ○ T8 ○  
 T1 ○ T4 ○ T7 ○ T10 ○  
 T3 ○ T6 ○ T9 ○

L9 ○ L6 ○ L3 ○  
 L10 ○ L7 ○ L4 ○ L1 ○  
 L8 ○ L5 ○ L2 ○

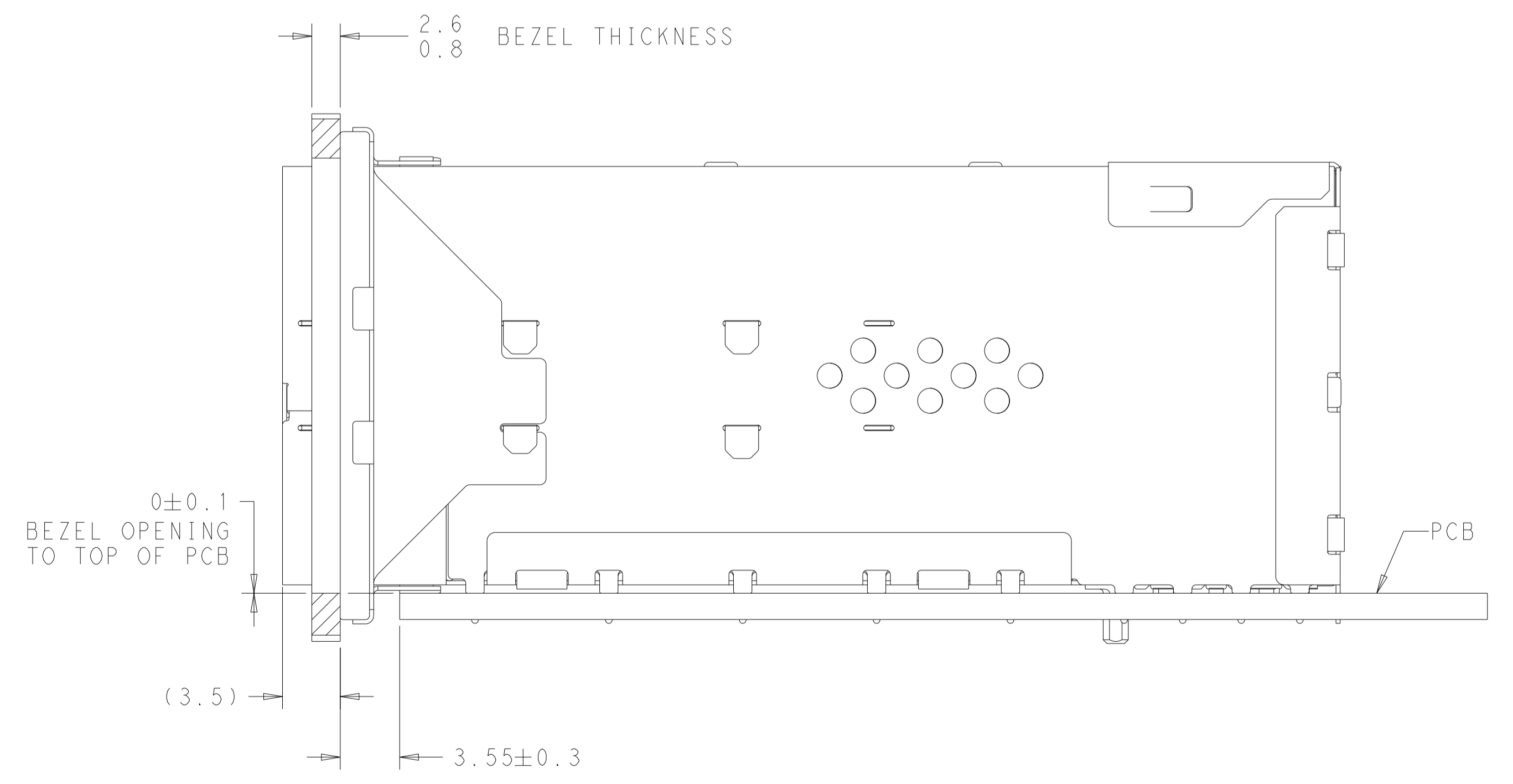
L12 ○ L15 ○ L18 ○  
 L11 ○ L14 ○ L17 ○ L20 ○  
 L13 ○ L16 ○ L19 ○

PIN MAP LEGEND	
PIN NUMBER	FUNCTION
L1/T1	VEET
L2/T2	TX-FAULT
L3/T3	TX-DISABLE
L4/T4	SDA
L5/T5	SCL
L6/T6	MOD_ABS
L7/T7	RSO
L8/T8	RX_LOS
L9/T9	RS1
L10/T10	VEER
L11/T11	VEER
L12/T12	RD-
L13/T13	RD+
L14/T14	VEER
L15/T15	VCCR
L16/T16	VCCT
L17/T17	VEET
L18/T18	TD+
L19/T19	TD-
L20/T20	VEET

DETAIL D  
 PIN MAP  
 2 PLACES  
 SCALE 15:1



RECOMMENDED BEZEL CUT-OUT DETAIL  
 SCALE 4:1



RECOMMENDED BEZEL LOCATION WITH EMI GASKET  
 SCALE 4:1

THIS DRAWING IS A CONTROLLED DOCUMENT.		OWN: LEO LI 04SEP2018	TE Connectivity NAME: RECEPTACLE ASSEMBLY, 2X2, STACKED, SFP56 PRODUCT SPEC: 108-2481 APPLICATION SPEC: 114-13319 SIZE: A1 CAGE CODE: 2343522 DRAWING NO: 100779 SCALE: 4:1 SHEET: 6 OF 6 REV: E2
DIMENSIONS: mm		CHK: SEAN HAN 04SEP2018	
TOLERANCES UNLESS OTHERWISE SPECIFIED:		APP'D: SEAN HAN 04SEP2018	
0 PLC ±0.25 1 PLC ±0.25 2 PLC ±0.25 3 PLC ±0.25 4 PLC ±0.25 ANGLES ±° FINISH SEE NOTES		MATERIAL: SEE NOTES	
CUSTOMER DRAWING			