

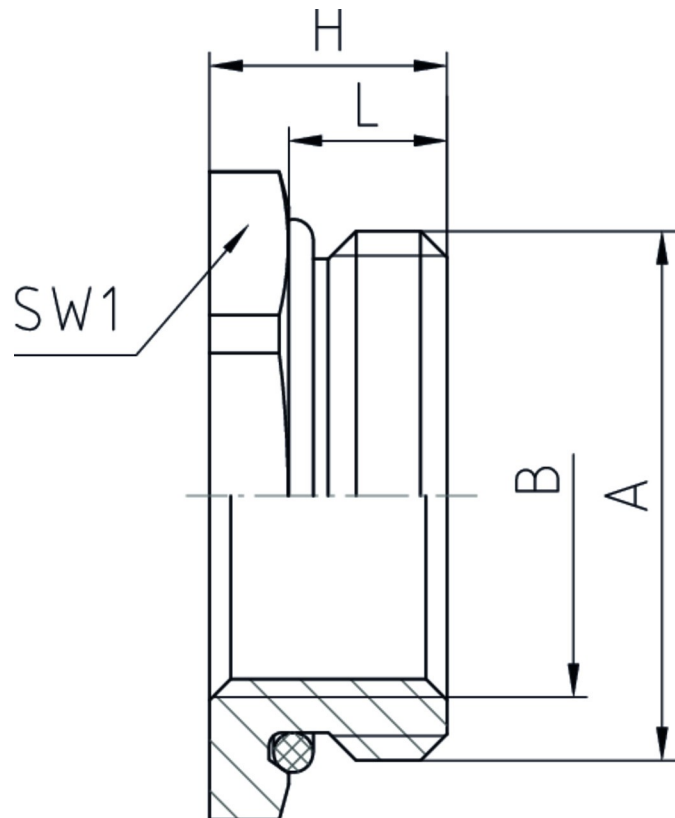
Reduction

6xxxx/OM

Reduction	Brass CuZn39Pb3, nickel-plated
O-ring	Nitrile rubber NBR
External thread	Pg as per DIN 40430
Internal thread	Pg as per DIN 40430




Properties	
Temperature range	<ul style="list-style-type: none"> reduction of threaded or clearance holes to smaller thread sizes -40 °C +100 °C
Protection grade	max.IP68 dependent on the combination with other components



Features

A	B	L	SW1	H	VPE	Part No.
Pg 9	Pg 7	6	18	8,5	100	60907/OM
Pg 11	Pg 7	6	20	8,5	100	61107/OM
Pg 11	Pg 9	6	20	8,5	100	61109/OM
Pg 13,5	Pg 7	6,5	24	9,5	100	61307/OM
Pg 13,5	Pg 9	6,5	24	9,5	100	61309/OM
Pg 13,5	Pg 11	6,5	24	9,5	100	61311/OM
Pg 16	Pg 7	6,5	24	9,5	100	61607/OM
Pg 16	Pg 9	6,5	24	9,5	100	61609/OM

A	B	L	SW1	H	 VPE	Part No.
Pg 16	Pg 11	6,5	24	9,5	100	61611/OM
Pg 16	Pg 13,5	6,5	24	9,5	100	61613/OM
Pg 21	Pg 11	7	32	10	100	62111/OM
Pg 21	Pg 13,5	7	32	10	100	62113/OM
Pg 21	Pg 16	7	32	10	100	62116/OM
Pg 29	Pg 16	8	41	11,5	50	62916/OM
Pg 29	Pg 21	8	41	11,5	50	62921/OM
Pg 36	Pg 21	9	50	12,5	25	63621/OM
Pg 36	Pg 29	9	50	12,5	25	63629/OM
Pg 42	Pg 36	10	60	14	25	64236/OM