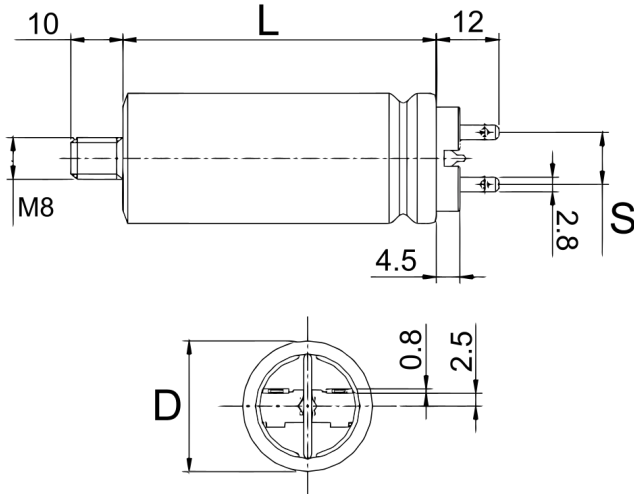


C44BPF14150ZA0J

Aliases (C44BPF14150ZA0J)

C44B, Film, Metallized Polypropylene, Power, 1.5 uF, 5%, 500 VAC, 1200 VDC



Click [here](#) for the 3D model.

Dimensions	
D	45mm +/-0.5mm
L	60mm +/-2mm
S	10mm +/-0.5mm

Packaging Specifications	
Mounting	Bolt - M8x10
Packaging	Bulk, Bag

General Information	
Series	C44B
Dielectric	Metallized Polypropylene
Style	Can
RoHS	Yes
Lead	Fast On (1+1)
AEC-Q200	No
Component Weight	121.7 g
Miscellaneous	Peak Voltage = 1600 VDC.

Specifications	
Capacitance	1.5 uF
Capacitance Tolerance	5%
Voltage AC	500 VAC
Voltage DC	1200 VDC
Temperature Range	-40/+85°C
Rated Temperature	70°C
Max dV/dt	500 V/us
Resistance	3 mOhms (TYP)
Ripple Current	6 Amps, 750 Amps (Peak)

Statements of suitability for certain applications are based on our knowledge of typical operating conditions for such applications, but are not intended to constitute - and we specifically disclaim - any warranty concerning suitability for a specific customer application or use. This information is intended for use only by customers who have the requisite experience and capability to determine the correct products for their application. Any technical advice inferred from this information or otherwise provided by us with reference to the use of our products is given gratis, and we assume no obligation or liability for the advice given or results obtained.