

CUSTOMER PRINT

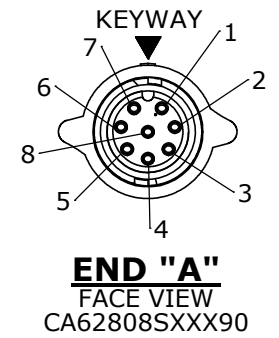
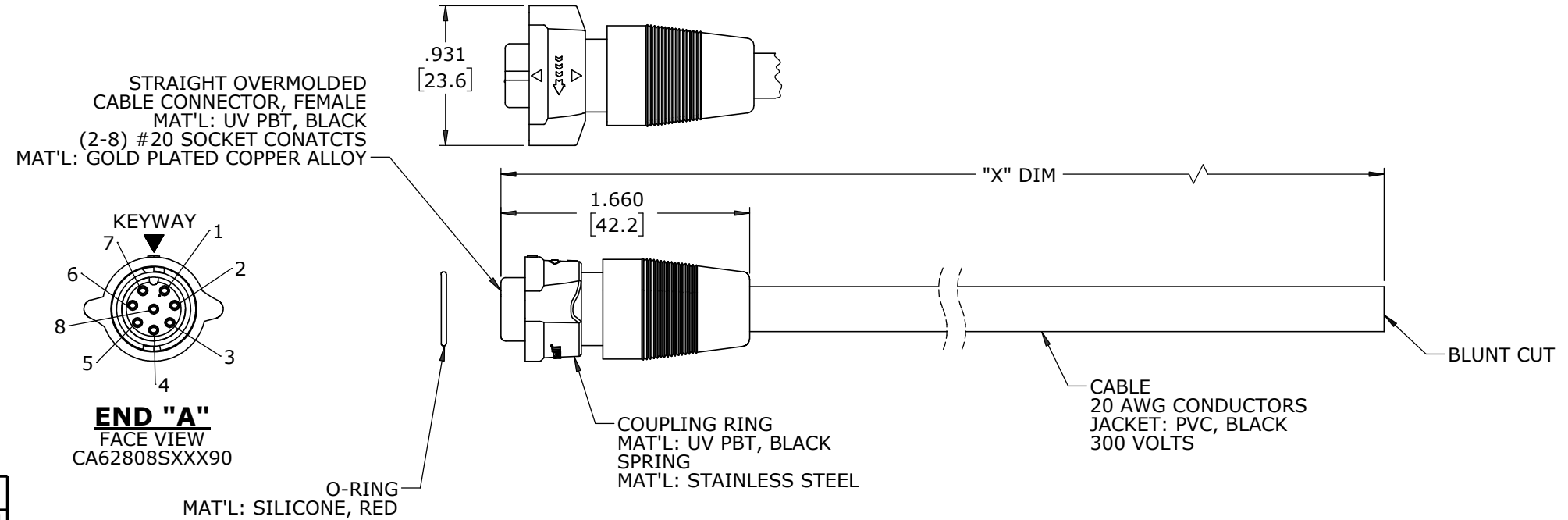
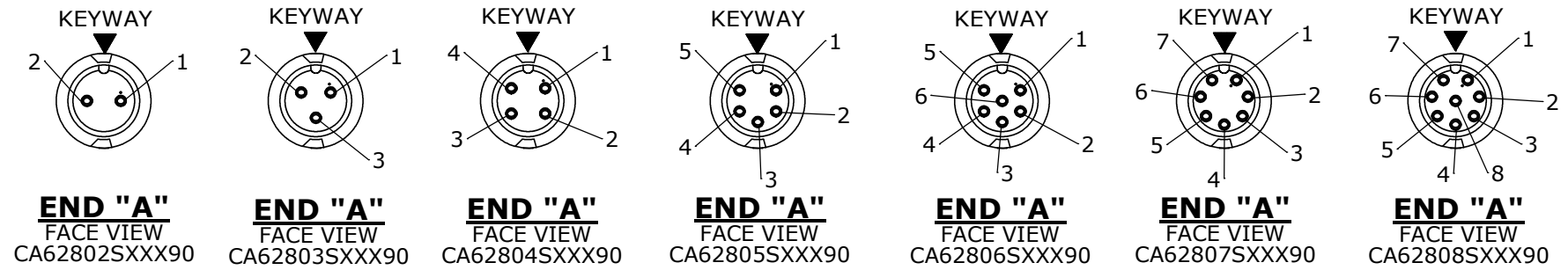
PART NUMBER: CA6280XSPXXX90

- NOTES:
1. FINISHED PRODUCT TO BE COILED
  2. OVERMOLD BOOT MATERIAL: UV PBT, BLACK
  3. ELECTRICAL TEST: 100% CONTINUITY
  4. ALL DIMENSIONS ARE REFERENCE EXCEPT THOSE WITH A TOLERANCE

ASS'Y P/N	NO. OF CONTACTS
CA62802SPXXX90	2
CA62803SPXXX90	3
CA62804SPXXX90	4
CA62805SPXXX90	5
CA62806SPXXX90	6
CA62807SPXXX90	7
CA62808SPXXX90	8
CA6280XSPXXX90	

ASS'Y P/N	"X" DIM
CA6280XSP03990	3 FT. 3 1/2 IN. ±2 IN. [1M ±50.8mm]
CA6280XSP07990	6 FT. 7 IN. ±2 IN. [2M ±50.8mm]
CA6280XSP19790	16 FT. 5 IN. ±4 IN. [5M ±101.6mm]
CA6280XSP39490	32 FT. 9 3/4 IN. ±8 IN. [10M ±203.2mm]
CA6280XSPXXX90	

CABLE LENGTH IN "INCHES"  
NO. OF CONTACTS



ASSY P/N	CABLE	COLOR CODE END "A"									
CA62802SPXXX90	2/20 AWG O.D. 0.215 REF	COLOR CODE									
		POS. 1	POS. 2								
CA62803SPXXX90	3/20 AWG O.D. 0.220 REF	WIRE COLOR CODE									
		POS. 1	POS. 2	POS. 3							
		BLK	WHT	GRN							
CA62804SPXXX90	4/20 AWG O.D. 0.235 REF	WIRE COLOR CODE									
		POS. 1	POS. 2	POS. 3	POS. 4						
		BLK	WHT	GRN	RED						
		CA62805SPXXX90	5/20 AWG O.D. 0.255 REF	WIRE COLOR CODE							
POS. 1	POS. 2			POS. 3	POS. 4	POS. 5					
BLK	WHT			GRN	RED	BLU					
CA62806SPXXX90	6/20 AWG O.D. 0.275 REF			WIRE COLOR CODE							
				POS. 1	POS. 2	POS. 3	POS. 4	POS. 5	POS. 6		
		BLK	WHT	GRN	RED	BLU	VIO				
		CA62807SPXXX90	8/20 AWG O.D. 0.300 REF	WIRE COLOR CODE							
				POS. 1	POS. 2	POS. 3	POS. 4	POS. 5	POS. 6	POS. 7	
				BLK	WHT	GRN	RED	BLU	VIO	GRY	
CA62808SPXXX90	8/20 AWG O.D. 0.300 REF			WIRE COLOR CODE							
				POS. 1	POS. 2	POS. 3	POS. 4	POS. 5	POS. 6	POS. 7	POS. 8
				BLK	WHT	GRN	RED	BLU	VIO	GRY	BRN

DIMENSIONS IN BRACKETS [ ] ARE IN MILLIMETERS UNLESS INDICATED

**CUSTOMER APPROVAL**

THIS DOCUMENT CONTAINS CONFIDENTIAL INFORMATION PROPRIETARY TO CONXALL CORPORATION. ANY REPRODUCTION, DISCLOSURE, OR USE OF THIS DOCUMENT /INFORMATION IS EXPRESSLY PROHIBITED UNLESS AUTHORIZED IN WRITING BY CONXALL CORPORATION.

APPROVED BY: \_\_\_\_\_  
DATE: \_\_\_\_\_

**RoHS COMPLIANT**

A	MA	06-04-21	DRAWING CREATED PER DOR 21-109359DS	
REV.	INIT.	DATE	DESCRIPTION	
	MA	06-04-21	ORIG. DRAWN BY: DATE: MA 06-04-21	
ALL INFORMATION ILLUSTRATED IS THE PROPERTY OF "CONXALL CORPORATION". UNAUTHORIZED DUPLICATION OR DISTRIBUTION OF THIS DOCUMENT IS PROHIBITED.			<p>601 E. WILDWOOD VILLA PARK, IL 60181</p>	
ALL UNITS ARE IN FEET, INCHES, FRACTION OF INCHES AND DECIMALS.				
APPROVED BY:		TITLE:		CABLE ASSEMBLY (2-8) #20 SOCKET CONTACTS INSTA-CLICK™ MINI-CON-X STANDARD PRODUCT
SCALE	SIZE	SHEET		
NTS	B	1 OF 1		
FILE:	DIRECTORY:	PART NUMBER:	REV	
CA6280XSPXXX90	SLW	CA6280XSPXXX90	A	