



**CUSTOMER:**

**CUSTOMER PN:**

**GPN PN:** E80D201VNN102AA40T

**CONTROL NO.:** G130250W0018 (97116)

**ELECTRICAL CRITERIA**

CAPACITANCE (120Hz/20°C): 1000  $\mu$ F  
 CAP.TOLERANCE: -10/+30 %  
 RATED VDC 200 V  
 SURGE VDC (30 sec): 250 V  
 MAX. ESR (120Hz/20°C): 186.2 m $\Omega$   
 TYP. ESR (120Hz/20°C): 105.0 m $\Omega$   
 MAX. IRMS (120Hz/85°C): 3.1 A  
 MAX. DCL (V<sub>DC</sub>/5:00/20°C): 1.789 mA

**MECHANICAL CRITERIA**

MAX. VIBRATION: 10-55Hz 10g  
 TYP. WEIGHT: 57 grams

**OPERATING CRITERIA**

MAX. TEMPERATURE: +85 °C  
 MIN. TEMPERATURE: -40 °C  
 LOAD LIFE (V<sub>DC</sub>+IRMS/85°C): 2000 Hrs  
 MAX.  $\Delta$  CAP. (measured value):  $\pm$  20 %  
 MAX. ESR (specified value): +200 %  
 MAX. DCL (V<sub>DC</sub>/5:00/20°C): 1.789 mA  
 SHELF LIFE (85°C): 1000 Hrs  
 MAX.  $\Delta$  CAP. (measured value):  $\pm$  20 %  
 MAX. ESR (specified value): +150 %  
 MAX. DCL (V<sub>DC</sub>/5:00/20°C): 1.789 mA

**IRMS FREQUENCY MULTIPLIERS**

V <sub>DC</sub>	50Hz	120Hz	300Hz	1kHz	10kHz	100kHz
6.3-50	0.95	1.00	1.03	1.05	1.08	1.08
63-100	0.92	1.00	1.07	1.12	1.19	1.20
160-250	0.81	1.00	1.17	1.32	1.45	1.50
315-500	0.77	1.00	1.16	1.30	1.41	1.43

**IRMS AMBIENT MULTIPLIERS**

45°C	60°C	70°C	85°C
1.73	1.50	1.32	1.00

**COMMENTS**

RoHS Compliant

---

---

---

---

---

---

---

---

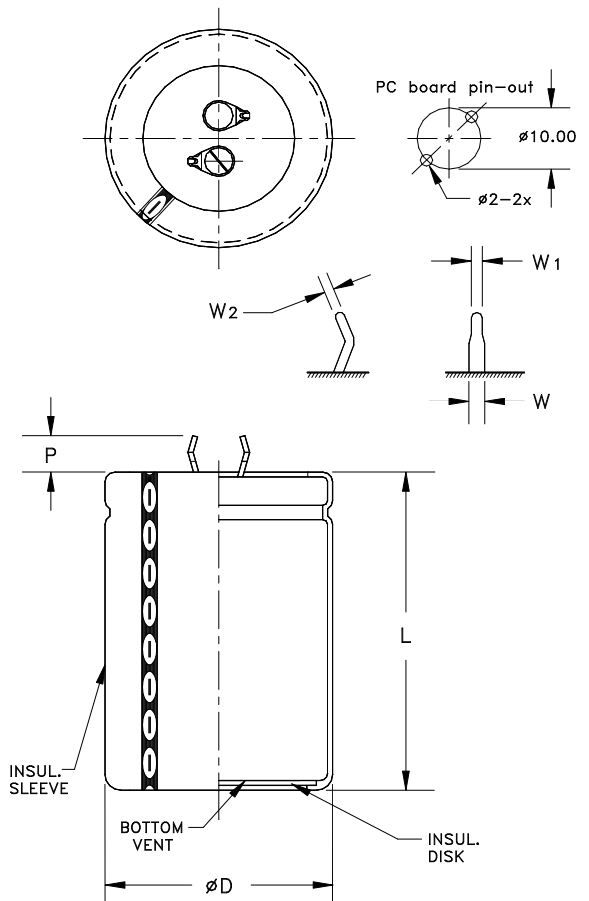
---

---

DIMENSIONAL CRITERIA			
	X	mm	in
$\varnothing$ D	35.0	- 0.0	+ 1.0
L	40.0	- 2.0	+ 2.0
P	5.8	- 1.0	+ 1.0
W	1.5	- 0.2	+ 0.2
W1	0.8	- 0.1	+ 0.1
W2	0.8	- 0.1	+ 0.1

**MARKING**

80D 85°C  
 1000uF(P) 200V  
 Date Code



TDS NO.: TDS-13-0035  
 AUTHOR: JCP  
 DATE: 11-JAN-2013