

6

5

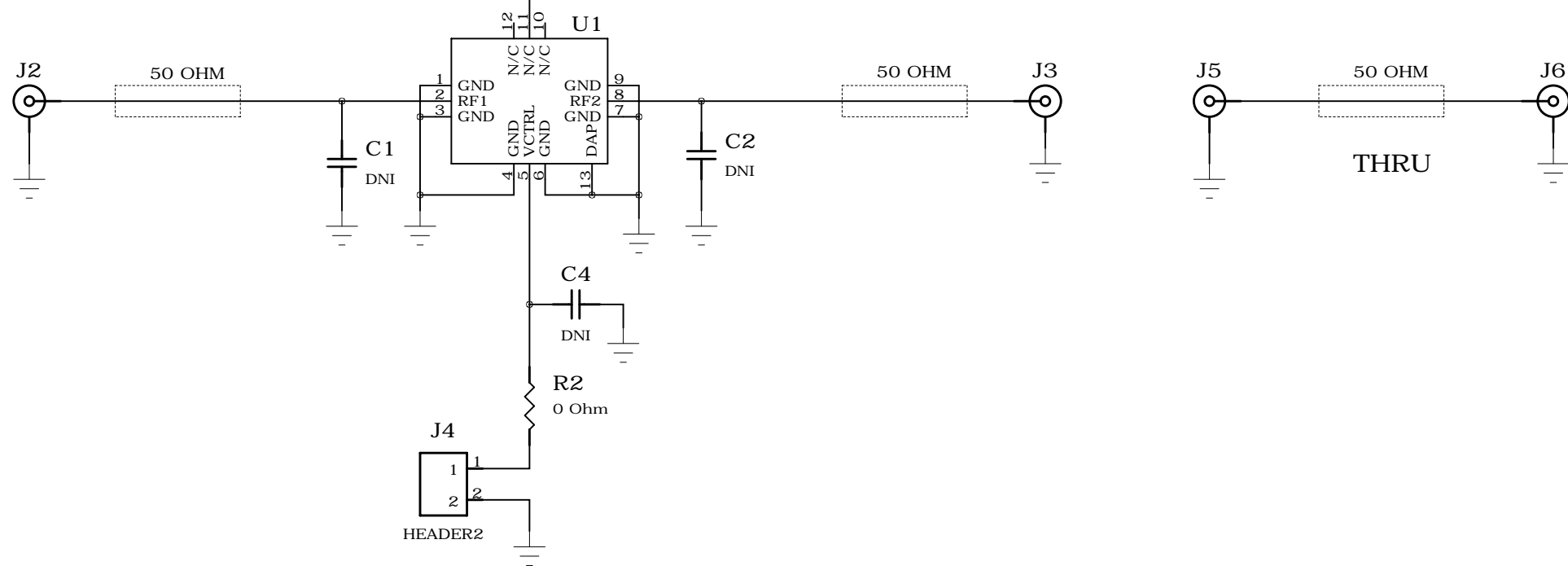
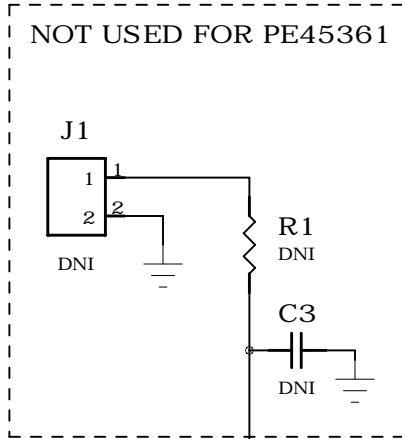
4

3

2

1

REVISION RECORD			
LTR	ECO NO:	APPROVED:	DATE:



NOTES:

- CAUTION:
CONTAINS PARTS AND ASSEMBLIES SUSCEPTIBLE
TO DAMAGE BY ELECTROSTATIC DISCHARGE (ESD)

PEREGRINE SEMICONDUCTOR
9380 Carroll Park Drive
San Diego, CA 92121

TITLE:
SCHEMATIC, PE45361 EVK

DRAWN: R. PROAL	DATED: 03-14-17	SIZE: B	DRAWING NO: DOC-75368	REV: 01
CHECKED: P. SANJANI	DATED: 03-14-17	SCALE: NONE		SHEET: 1 OF 1
QUALITY CONTROL:	DATED:			
RELEASED:	DATED:			

DRAWN: R. PROAL	DATED: 03-14-17
CHECKED: P. SANJANI	DATED: 03-14-17
QUALITY CONTROL:	DATED:
RELEASED:	DATED:

D

D

C

C

B

B

A

A

DOC-75368 Revision: 01

9380 Carroll Park Drive
San Diego, CA, 92121

Item	Quantity	Reference	Part Description	Value	Manufacturer	Manufacturer Part Number	Distributor	Distributor Part No	Notes
1	4	C1-C4	CAP 0402 DNI	DNI					DNI
2	4	J2,J3,J5,J6	Connector, SMA, End Launch, Jack, 0-26.5GHz, 0.010" Pin	142-0761-881	Cinch Johnson	142-0761-881	Digikey	J801-ND	
3	1	J1	Connector, Hdr, Straight, Unshrouded, 1x2, 0.100" Pitch TH	TSW-102-07-G-S	Samtec	TSW-102-07-G-S	Digikey	SAM1029-02-ND	DNI
4	1	J4	Connector, Hdr, Straight, Unshrouded, 1x2, 0.100" Pitch TH	TSW-102-07-G-S	Samtec	TSW-102-07-G-S	Digikey	SAM1029-02-ND	
5	1	R1	RES 0402 DNI	DNI					DNI
6	1	R2	RES 0 OHM 1/16W 5% 0402	0 OHM	Vishay	CRCW04020000Z0ED	Digikey	541-0.0JTR-ND	
7	1	U1	IC, PE45361 10MHz - 6GHz 100W Power Limiter	PE45361	Peregrine Semiconductor	PE45361			
8	1		PCB, Limiter 3X3 12L	PCB	Peregrine Semiconductor	PRT-51452-02			