

**Sales Outline Drawing**

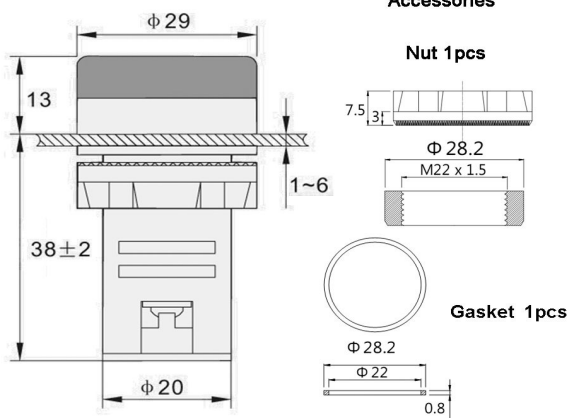
**Specifications:**

May not be suitable for all Medical and Aerospace applications.  
Contact Mallory Sonalert to discuss your application.

Panel Hole	22 mm
Voltage Type	AC/DC
LED Color Available	Red, Green, Blue, Yellow, or White
Lens Color	Same as LED
Rated Voltage Available	See table below
Max Current Draw	20 mA
Storage & Operating Temperature	-15 °C to +80 °C
Ingress Protection Rating	IP50
LED Life	70,000 hours
Weight (Typical)	15.3 g
Housing Material	PA66
Termination Type	Screw Terminals
Max Recommended Torque	18 ft-lbs (25 Nm)
Panel Thickness	up to 0.24" (6mm)
Hardware Kit	SLLM22

**RoHS Compliant**

**Dimensions (mm):**



**Part Number:**

**FL1P-22NA-1-X#V**

B=Blue  
 G=Green  
 R=Red  
 Y=Yellow  
 W=White

Rated Voltage

Length for reference only.

	Light Intensity	Dominant Wavelength	Viewing Angle
Red	1000 -1500 mcd	622 nm	35°
Green	8000 -10000 mcd	522 nm	60°
Yellow	1000 -1500 mcd	590 nm	35°
Blue	2000 - 3000 mcd	464 nm	35°

Rated Voltage	12 VAC/DC	24 VAC/DC	48 VAC/DC	110 VAC/DC	220 VAC/DC	380 VAC/DC
Red	10.8-13.2V	21.6-26.4V	43.2-52.8V	99-121V	198-242V	342-418V
Green	10.8-13.2V	21.6-26.4V	43.2-52.8V	99-121V	198-242V	342-418V
Blue	10.8-13.2V	21.6-26.4V	43.2-52.8V	99-121V	198-242V	342-418V
Yellow	10.8-13.2V	21.6-26.4V	43.2-52.8V	99-121V	198-242V	342-418V
White	10.8-13.2V	21.6-26.4V	43.2-52.8V	99-121V	198-242V	342-418V