

GloTek, Inc. www.globtek.com 186 Veterans Drive, Northvale, NJ 07647 Tel. (201) 784-1000 Fax (201) 784-0111	Drawing Title: GTM41060-2512-FW, ICT / ITE / Medical Power Supply, Efficiency Level: Meets/Exceeds for Medical, Case Color/Style: N/A, Open Frame/Internal, Regulated Switchmode AC-DC Power Supply AC Adaptor, Input Rating: 100-240V~, 50-60 Hz, Molex Header (or equal) , Output Rating: 25W, 12.0V@2.08A, Output Configuration: Molex 22-28-0060 or equivalent, 6 circuit connector, GT Connector # C0333, Pin Out: Pin 1, 2, 3: (+V) & Pin 4,5,6: (Common), Blades/Input Cord: Not Applicable, Approvals: cUR (up to 30V only); UKCA; cRUus; NEMKO 60950; cRUus (up to 30V); CE; FCC; VCCI; China RoHS; Double Insulation; Ukraine; Level IV; WEEE; RoHS; GOST-R; CB 60601-1 2MOPP (up to 30V); Designed to meet EN 60950-1; SIQ (up to 30V only); 2MOPP; CE; CB 60950(up to 30V only);	
	Model No. GTM41060-2512-FW	
	Part No./Ordering No. GTM410602512FWIM(RE)	Rev J2

## REVISION HISTORY

REV	DESCRIPTION	SUB	DATE	APPROVED
J2	CORRECTED PINOUT SECTION WHICH HAD WRONG PINS LISTED FOR OUTPUTS, REMOVED IMAGE @ THAT LOCATION		10/01/2020	QA
J1	Update label specs to ISO 15223 medical device compliant label, add UKCA approvals, add grounding configuration		09/21/2020	QA
J	Add Nemko, cRU 60950 to approvals, change case color to N/A, change I/P connector pinout Pin 1 from Earth to Neutral		01/07/2015	QA
I	Update approvals on label: Remove Nemko, cULus 60950-1 4MU8 E170507, cRUus Registered E341350 ANSI/AAMI ES60601-1 and CAN/CSA-C22.2 No. 60601-1		12/23/2014	QA
H	Update LED color from Blue to Green on the drawing, update O/P connector Molex 22-28-0040 to 22-28-0060, update pinout for connector		12/02/2014	QA
G	Remove PSE CQC from approvals		07/01/2014	QA
F	Remove Gost from label		03/03/2014	QA

In Addition to GlobTek Inc.'s renewed ISO9001:2015 - Quality Management System Certification, GlobTek Inc. is now certified to:

ISO13485:2016 - Medical Devices Quality Management System Certification

ISO14001:2015 - Environmental Management System Certification

ISO Certificates are available online at <https://www.globtek.com/iso-certificates/>

### Customer Approval of Specification:

Please approve, sign and send back to GlobTek so we can complete order processing.

A delay in receipt of this form will delay delivery schedule.

Company Name:

Customer P/N:

Quote Number:

Date:

Authorized Representative Name:

Authorized Representative Signature:

The acceptance of this specification and use of the product described in this document indicates the acceptance and binding of the customer to Globtek terms and conditions, which supersede all other agreements, terms, and conditions (<https://en.globtek.com/terms-and-conditions/>).

The purchaser of this product (Customer) agrees that it is their sole responsibility to determine suitability/fitness of the product described in this specification for their application and to take precautions for protection against any hazards attendant to the handling and use of the product.

### Footnote:

GlobTek Inc. will not be liable for the safety and performance of these power supplies if unauthorized access and repair occurs. End user should consult applicable UL, CSA or EN standards for proper installation instruction.

### Limitation of Use:

#### PROPRIETARY INFORMATION

PROPRIETARY OF GLOBTEK, INC. ANY REPRODUCTION, DISCLOSURE OR USE OF THIS DRAWING, IN WHOLE OR IN PART, IS HEREBY PROHIBITED EXCEPT AS SPECIFIED IN WRITING BY GLOBTEK, INC. © GlobTek, Inc. 2012 - 2021

<p>GlobTek, Inc. www.globtek.com 186 Veterans Drive, Northvale, NJ 07647 Tel. (201) 784-1000 Fax (201) 784-0111</p>	<p>Drawing Title: GTM41060-2512-FW, ICT / ITE / Medical Power Supply, Efficiency Level: Meets/Exceeds for Medical, Case Color/Style: N/A, Open Frame/Internal, Regulated Switchmode AC-DC Power Supply AC Adaptor, Input Rating: 100-240V~, 50-60 Hz, Molex Header (or equal) , Output Rating: 25W, 12.0V@2.08A, Output Configuration: Molex 22-28-0060 or equivalent, 6 circuit connector, GT Connector # C0333, Pin Out: Pin 1, 2, 3: (+V) &amp; Pin 4,5,6: (Common), Blades/Input Cord: Not Applicable, Approvals: cUR (up to 30V only); UKCA; cRUus; NEMKO 60950; cRUus (up to 30V); CE; FCC; VCCI; China RoHS; Double Insulation; Ukraine; Level IV; WEEE; RoHS; GOST-R; CB 60601-1 2MOPP (up to 30V); Designed to meet EN 60950-1; SIQ (up to 30V only); 2MOPP; CE; CB 60950(up to 30V only);</p>
	<p>Model No. GTM41060-2512-FW</p>
	<p>Part No./Ordering No. GTM410602512FWIM(RE) <span style="float: right;">Rev J2</span></p>

GlobTek products are intended for use with commercial, medical, and/or industrial equipment only. GlobTek product are not authorized for use as mission critical components in life support hazardous environment, nuclear or aircraft applications without prior written approval from the CEO of GlobTek Inc.  
Contents of this document are subject to change without prior notice.

<b>GlobTek, Inc.</b> www.globtek.com 186 Veterans Drive, Northvale, NJ 07647 Tel. (201) 784-1000 Fax (201) 784-0111	Drawing Title: GTM41060-2512-FW, ICT / ITE / Medical Power Supply, Efficiency Level: Meets/Exceeds for Medical, Case Color/Style: N/A, Open Frame/Internal, Regulated Switchmode AC-DC Power Supply AC Adaptor, Input Rating: 100-240V~, 50-60 Hz, Molex Header (or equal) , Output Rating: 25W, 12.0V@2.08A, Output Configuration: Molex 22-28-0060 or equivalent, 6 circuit connector, GT Connector # C0333, Pin Out: Pin 1, 2, 3: (+V) & Pin 4,5,6: (Common), Blades/Input Cord: Not Applicable, Approvals: cUR (up to 30V only); UKCA; cRUus; NEMKO 60950; cRUus (up to 30V); CE; FCC; VCCI; China RoHS; Double Insulation; Ukraine; Level IV; WEEE; RoHS; GOST-R; CB 60601-1 2MOPP (up to 30V); Designed to meet EN 60950-1; SIQ (up to 30V only); 2MOPP; CE; CB 60950(up to 30V only);	
	Model No. GTM41060-2512-FW	
	Part No./Ordering No. GTM410602512FWIM(RE)	Rev J2

## POWER SUPPLY INFORMATION

TYPE:	Open Frame/Internal
TECHNOLOGY:	Regulated Switchmode AC-DC Power Supply AC Adaptor
CASE COLOR:	N/A
NAMEPLATE RATED INPUT:	100-240V~, 50-60 Hz, 0.6 A
INPUT CONFIG:	Molex Header (or equal)
WATTS:	25.0
VOLTS OUT:	12.0
CURRENT OUT (Amps):	2.08
BLADE/CORD INCLUDED:	N/A Not Applicable
BLADE/CORD INSTALLED:	N/A :Not Applicable
INGRESS PROTECTION:	
GROUNDING CONFIGURATION:	(F1) Class II / Double Insulated
EFFICIENCY LEVEL:	Meets/Exceeds for Medical
OUTPUT CONFIGURATION:	Molex 22-28-0060 or equivalent, 6 circuit connector, GT Connector # C0333
CONNECTOR PIN OUT:	Pin 1, 2, 3: (+V) & Pin 4,5,6: (Common)
LABEL SPECS:	ISO 15223 medical device compliant label,L-1470
SPECIAL BARCODE LABEL MATERIAL:	No
PACK SPEC:	Standard OF, Individually Box
USER MANUAL:	N/A User Manual

### PROPRIETARY INFORMATION

PROPRIETARY OF GLOBTEK, INC. ANY REPRODUCTION, DISCLOSURE OR USE OF THIS DRAWING, IN WHOLE OR IN PART, IS HEREBY PROHIBITED EXCEPT AS SPECIFIED IN WRITING BY GLOBTEK, INC. © GlobTek, Inc. 2012 - 2021

<p>GlobTek, Inc. www.globtek.com 186 Veterans Drive, Northvale, NJ 07647 Tel. (201) 784-1000 Fax (201) 784-0111</p>	<p>Drawing Title: GTM41060-2512-FW, ICT / ITE / Medical Power Supply, Efficiency Level: Meets/Exceeds for Medical, Case Color/Style: N/A, Open Frame/Internal, Regulated Switchmode AC-DC Power Supply AC Adaptor, Input Rating: 100-240V~, 50-60 Hz, Molex Header (or equal) , Output Rating: 25W, 12.0V@2.08A, Output Configuration: Molex 22-28-0060 or equivalent, 6 circuit connector, GT Connector # C0333, Pin Out: Pin 1, 2, 3: (+V) &amp; Pin 4,5,6: (Common), Blades/Input Cord: Not Applicable, Approvals: cUR (up to 30V only); UKCA; cRUus; NEMKO 60950; cRUus (up to 30V); CE; FCC; VCCI; China RoHS; Double Insulation; Ukraine; Level IV; WEEE; RoHS; GOST-R; CB 60601-1 2MOPP (up to 30V); Designed to meet EN 60950-1; SIQ (up to 30V only); 2MOPP; CE; CB 60950(up to 30V only);</p>
	<p>Model No. GTM41060-2512-FW</p>
	<p>Part No./Ordering No. GTM410602512FWIM(RE) <span style="float: right;">Rev J2</span></p>

Notes/Modifications/Customizations (notes in this section supersede the values shown in the standard spec):  
DIMENSIONS ARE IN MM UNLESS SPECIFIED OTHERWISE.

GlobTek, Inc. www.globtek.com 186 Veterans Drive, Northvale, NJ 07647 Tel. (201) 784-1000 Fax (201) 784-0111	Drawing Title: GTM41060-2512-FW, ICT / ITE / Medical Power Supply, Efficiency Level: Meets/Exceeds for Medical, Case Color/Style: N/A, Open Frame/Internal, Regulated Switchmode AC-DC Power Supply AC Adaptor, Input Rating: 100-240V~, 50-60 Hz, Molex Header (or equal) , Output Rating: 25W, 12.0V@2.08A, Output Configuration: Molex 22-28-0060 or equivalent, 6 circuit connector, GT Connector # C0333, Pin Out: Pin 1, 2, 3: (+V) & Pin 4,5,6: (Common), Blades/Input Cord: Not Applicable, Approvals: cUR (up to 30V only); UKCA; cRUus; NEMKO 60950; cRUus (up to 30V); CE; FCC; VCCI; China RoHS; Double Insulation; Ukraine; Level IV; WEEE; RoHS; GOST-R; CB 60601-1 2MOPP (up to 30V); Designed to meet EN 60950-1; SIQ (up to 30V only); 2MOPP; CE; CB 60950(up to 30V only);	
	Model No. GTM41060-2512-FW	
	Part No./Ordering No. GTM410602512FWIM(RE)	Rev J2

## ELECTRICAL SPECIFICATIONS

### A) ELECTRICAL SPECIFICATIONS:

01. Input Voltage: Specified 90-264 Vac, Nameplate rated: 100-240Vac
02. Input Frequency: Specified 47-63 Hz, Nameplate rated 50-60Hz
03. Output Regulation: +/- 5% measured at the output connector
04. Line Voltage Regulation: +/- 1% typical measures at full load
05. Output Ripple (Vp-p): 1% or 150 mV whichever is greater measured at 20 MHz bandwidth with 0.1 uf ceramic capacitor in parallel with 10 uf electrolytic capacitor connected at the end of output connector at nominal line
06. Turn-On/Turn-Off Overshoot: 5% maximum, 1mS typical recovery time for 25% step load
07. Turn-On Delay: 1 second typical
08. Hold-Up Time: 8mS typical @ nominal input voltage & full load
09. Inrush Current: 30A typical @ 115Vac input ; 60A typical @ 230Vac input
10. Switching Frequency: 66.5 KHz typical
11. Current Limited Option: Models numbers containing CC are "Current Limited" to rated output current with a tolerance of +/-10%

### B) PROTECTION

1. Over-Voltage: Electronically Protected, unit will recover upon removal of fault
2. Short Circuit: Electronically Protected, unit will recover upon removal of fault
3. Input Protection: Input line fusing

### C) SAFETY

1. Dielectric Withstand Voltage: 5656Vdc from primary to secondary
2. Earth Leakage Current: N/A for Class II units, there is no PE Ground pin, so Earth Leakage current is not measured
3. Touch Current: Maximum allowed values: 100uA NC(Normal condition) 500uA SFC(single fault condition)

### D) OTHER:

1. MTBF: 200,000 hours @ 25°C ambient temperature
2. Operating Temperature: 0°C to 40°C ambient temperature  
Optional Operating Temperature: -5°C to 40°C ambient temperature (RFP4385)
3. Humidity: 0% to 90% relative humidity
4. Maximum Altitude is 3000M
5. Storage Temperature: -10°C to 80°C
6. ROHS 2: Complies with EU 2011/65/EU and China SJ/T 11363-2006

### E) ENCLOSURE

1. Size: 98\*50\*28 +/-0.5 mm
2. Green LED indicator for power "Power Out"

TO ADDRESS SYSTEM-LEVEL EMI CONCERNS, FERRITE CHOKES/BEADS MAY BE ADDED/REVISED UPON REQUEST. A SAMPLE KIT OF GLOBTEK'S STANDARD FERRITES IS AVAILABLE UNDER GLOBTEK P/N: EMI-MITIGATION-KIT1

FOR ADDITIONAL INFORMATION, PLEASE READ OUR WHITE PAPER AT:

<https://en.globtek.com/technical-articles/ferrite-kit-radiated-emi-suppression-kit-for-globtek-power-supplies-cable-assemblies>

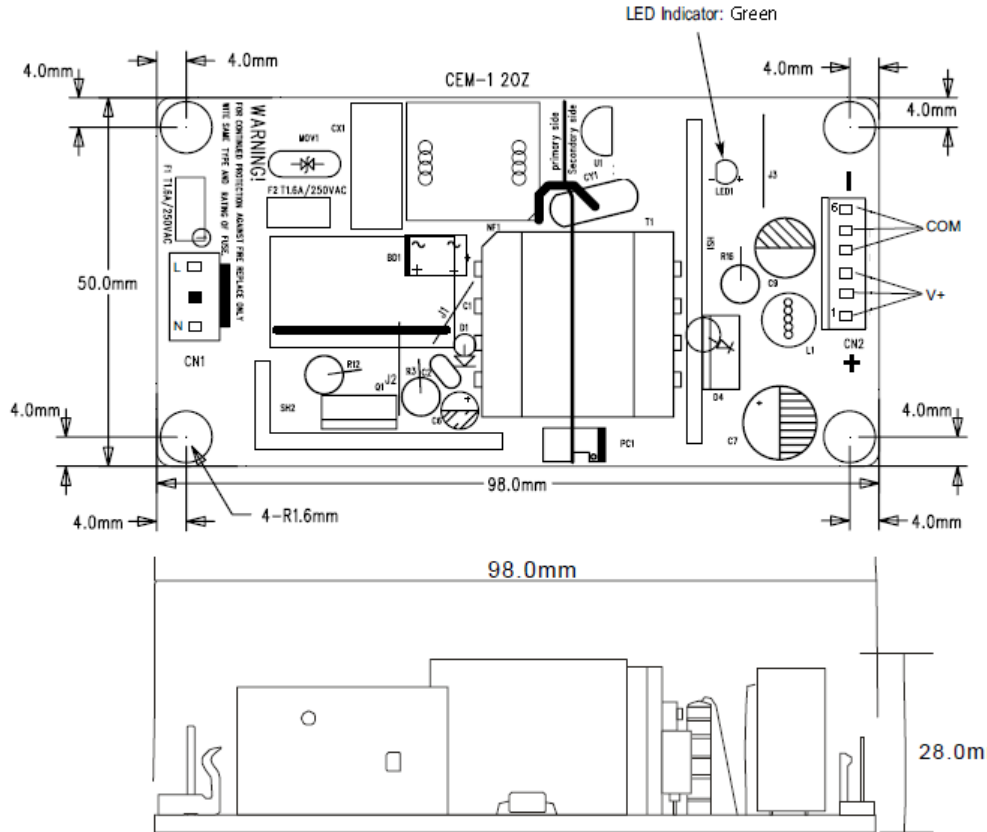
GlobTek, Inc.  
 www.globtek.com  
 186 Veterans Drive,  
 Northvale, NJ 07647  
 Tel. (201) 784-1000  
 Fax (201) 784-0111

Drawing Title: GTM41060-2512-FW, ICT / ITE / Medical Power Supply, Efficiency Level: Meets/Exceeds for Medical, Case Color/Style: N/A, Open Frame/Internal, Regulated Switchmode AC-DC Power Supply AC Adaptor, Input Rating: 100-240V~, 50-60 Hz, Molex Header (or equal) , Output Rating: 25W, 12.0V@2.08A, Output Configuration: Molex 22-28-0060 or equivalent, 6 circuit connector, GT Connector # C0333, Pin Out: Pin 1, 2, 3: (+V) & Pin 4,5,6: (Common), Blades/Input Cord: Not Applicable, Approvals: cUR (up to 30V only); UKCA; cRUus; NEMKO 60950; cRUus (up to 30V); CE; FCC; VCCI; China RoHS; Double Insulation; Ukraine; Level IV; WEEE; RoHS; GOST-R; CB 60601-1 2MOPP (up to 30V); Designed to meet EN 60950-1; SIQ (up to 30V only); 2MOPP; CE; CB 60950(up to 30V only);

Model No. GTM41060-2512-FW

Part No./Ordering No. GTM410602512FWIM(RE)

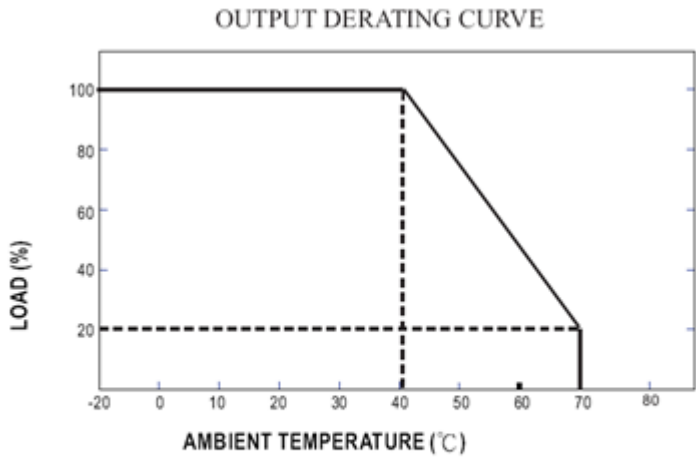
Rev J2



NOTE: pin numbers on output connector do not match naming convention from Molex, they are reversed. Beware of this when specifying and wiring the mating connector.

<p>GlobTek, Inc.  www.globtek.com  186 Veterans Drive,  Northvale, NJ 07647  Tel. (201) 784-1000  Fax (201) 784-0111</p>	<p>Drawing Title: GTM41060-2512-FW, ICT / ITE / Medical Power Supply, Efficiency Level: Meets/Exceeds for Medical, Case Color/Style: N/A, Open Frame/Internal, Regulated Switchmode AC-DC Power Supply AC Adaptor, Input Rating: 100-240V~, 50-60 Hz, Molex Header (or equal) , Output Rating: 25W, 12.0V@2.08A, Output Configuration: Molex 22-28-0060 or equivalent, 6 circuit connector, GT Connector # C0333, Pin Out: Pin 1, 2, 3: (+V) &amp; Pin 4,5,6: (Common), Blades/Input Cord: Not Applicable, Approvals: cUR (up to 30V only); UKCA; cRUus; NEMKO 60950; cRUus (up to 30V); CE; FCC; VCCI; China RoHS; Double Insulation; Ukraine; Level IV; WEEE; RoHS; GOST-R; CB 60601-1 2MOPP (up to 30V); Designed to meet EN 60950-1; SIQ (up to 30V only); 2MOPP; CE; CB 60950(up to 30V only);</p> <p>Model No. GTM41060-2512-FW</p> <p>Part No./Ordering No. GTM410602512FWIM(RE)</p>	<p>Rev J2</p>
--	---	---------------

DERATING CURVE



GlobTek, Inc. www.globtek.com 186 Veterans Drive, Northvale, NJ 07647 Tel. (201) 784-1000 Fax (201) 784-0111	Drawing Title: GTM41060-2512-FW, ICT / ITE / Medical Power Supply, Efficiency Level: Meets/Exceeds for Medical, Case Color/Style: N/A, Open Frame/Internal, Regulated Switchmode AC-DC Power Supply AC Adaptor, Input Rating: 100-240V~, 50-60 Hz, Molex Header (or equal) , Output Rating: 25W, 12.0V@2.08A, Output Configuration: Molex 22-28-0060 or equivalent, 6 circuit connector, GT Connector # C0333, Pin Out: Pin 1, 2, 3: (+V) & Pin 4,5,6: (Common), Blades/Input Cord: Not Applicable, Approvals: cUR (up to 30V only); UKCA; cRUus; NEMKO 60950; cRUus (up to 30V); CE; FCC; VCCI; China RoHS; Double Insulation; Ukraine; Level IV; WEEE; RoHS; GOST-R; CB 60601-1 2MOPP (up to 30V); Designed to meet EN 60950-1; SIQ (up to 30V only); 2MOPP; CE; CB 60950(up to 30V only);	
	Model No. GTM41060-2512-FW	
	Part No./Ordering No. GTM410602512FWIM(RE)	Rev J2

### INPUT CONFIGURATION

(F1) Class II / Double Insulated



[Alternate grounding configurations](#) available upon request.

Blades/Cord Included:N/A:Not Applicable

Blades/Cord Installed:N/A:Not Applicable

Molex 09-65-2038 3 Position Header Pin 1: Neutral, Pin 2: Removed, Pin 3: Line

Document: [http://www.molex.com/pdm\\_docs/sd/009652038\\_sd.pdf](http://www.molex.com/pdm_docs/sd/009652038_sd.pdf)

Catalog Page: [http://www.molex.com/molex/products/datasheet.jsp?part=active/0009652038\\_PCB\\_HEADERS.xml](http://www.molex.com/molex/products/datasheet.jsp?part=active/0009652038_PCB_HEADERS.xml)



#### Mates With Part(s):

[5195](#) SPOX™ Crimp Housing, [5239](#) KK® Crimp Housing

Optional Input Wiring Kits are available:

PN/Ordering No	Length	End A	End B
<a href="#">XHP410070M7MLX3(R)</a>	70	JST XHP-4	Molex 09-93-0300
<a href="#">C810070M6MLX3(R)</a>	60	IEC60320 C8	Molex 09-93-0300
<a href="#">C1410070M6MLX3(R)</a>	60	IEC60320 C14	Molex 09-93-0300



GloBtek, Inc. www.globtek.com 186 Veterans Drive, Northvale, NJ 07647 Tel. (201) 784-1000 Fax (201) 784-0111	Drawing Title: GTM41060-2512-FW, ICT / ITE / Medical Power Supply, Efficiency Level: Meets/Exceeds for Medical, Case Color/Style: N/A, Open Frame/Internal, Regulated Switchmode AC-DC Power Supply AC Adaptor, Input Rating: 100-240V~, 50-60 Hz, Molex Header (or equal) , Output Rating: 25W, 12.0V@2.08A, Output Configuration: Molex 22-28-0060 or equivalent, 6 circuit connector, GT Connector # C0333, Pin Out: Pin 1, 2, 3: (+V) & Pin 4,5,6: (Common), Blades/Input Cord: Not Applicable, Approvals: cUR (up to 30V only); UKCA; cRUus; NEMKO 60950; cRUus (up to 30V); CE; FCC; VCCI; China RoHS; Double Insulation; Ukraine; Level IV; WEEE; RoHS; GOST-R; CB 60601-1 2MOPP (up to 30V); Designed to meet EN 60950-1; SIQ (up to 30V only); 2MOPP; CE; CB 60950(up to 30V only);	
	Model No. GTM41060-2512-FW	
	Part No./Ordering No. GTM410602512FWIM(RE)	Rev J2

**OUTPUT CORD AND CONNECTOR: MOLH1/C0333**

ACTUAL CONNECTORS, OVERMOLDS, FERRITES MAY VARY SLIGHTLY FROM THE PICTURE BELOW

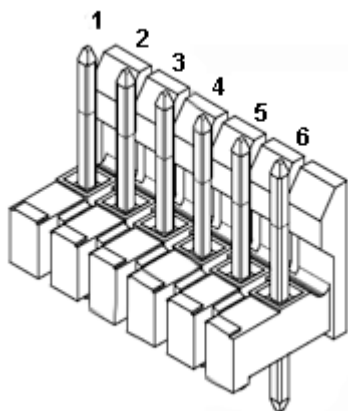
**CABLE TYPE**

CABLE LENGTH (mm)	0
CABLE TOLERANCE (mm)	0
WIRE GAUGE (AWG)	
CONDUCTORS	6
HANK DIMENSION (mm)	0
CABLE / CONNECTOR OVERMOLD COLOR	
FERRITE TYPE / DIMENSION	None
FERRITE # OF TURNS(Definition)	N/A
FERRITE DIMENSION FROM STRAIN RELIEF	N/A
FERRITE DIMENSION FROM PLUG	N/A
PLUG TYPE	Molex 22-28-0060 or equivalent, 6 circuit connector
OUTPUT CONNECTOR GENDER	
OVERMOLDED	
OVER MOLD ORIENTATION	
CONNECTOR PIN OUT:	Pin 1, 2, 3: (+V) & Pin 4,5,6: (Common)

**ADDITIONAL REQUIREMENTS**

Drawing: [http://www.molex.com/pdm\\_docs/sd/022280060\\_sd.pdf](http://www.molex.com/pdm_docs/sd/022280060_sd.pdf)Datasheet: <http://www.molex.com/molex/products/datasheet.jsp?part=active/0022280>

Mates With Part(s): KK® Crimp Housing 2695, 6471, 7880, KK® PC Board Connector 4455



NOTE: pin numbers on output connector do not match naming convention from Molex, they are reversed. Beware of this when specifying and wiring the

Optional Output Wiring Kits are available:

PN/Ordering No	Length	End A	End B
----------------	--------	-------	-------

GlobTek, Inc. www.globtek.com 186 Veterans Drive, Northvale, NJ 07647 Tel. (201) 784-1000 Fax (201) 784-0111	Drawing Title: GTM41060-2512-FW, ICT / ITE / Medical Power Supply, Efficiency Level: Meets/Exceeds for Medical, Case Color/Style: N/A, Open Frame/Internal, Regulated Switchmode AC-DC Power Supply AC Adaptor, Input Rating: 100-240V~, 50-60 Hz, Molex Header (or equal) , Output Rating: 25W, 12.0V@2.08A, Output Configuration: Molex 22-28-0060 or equivalent, 6 circuit connector, GT Connector # C0333, Pin Out: Pin 1, 2, 3: (+V) & Pin 4,5,6: (Common), Blades/Input Cord: Not Applicable, Approvals: cUR (up to 30V only); UKCA; cRUus; NEMKO 60950; cRUus (up to 30V); CE; FCC; VCCI; China RoHS; Double Insulation; Ukraine; Level IV; WEEE; RoHS; GOST-R; CB 60601-1 2MOPP (up to 30V); Designed to meet EN 60950-1; SIQ (up to 30V only); 2MOPP; CE; CB 60950(up to 30V only);	
	Model No. GTM41060-2512-FW	
	Part No./Ordering No. GTM410602512FWIM(RE)	Rev J2

<a href="#">MLX6610070M7MLX6(R)</a>	70	Molex:22-01-2067	Molex:22-01-2067
<a href="#">Contact for PN</a>	60	IEC60320 C8	Molex:22-01-2067
<a href="#">Contact for PN</a>	60	IEC60320 C14	Molex:22-01-2067
Custom options available upon request			
ADDITIONAL OUTPUT PLUG OPTIONS ARE AVAILABLE AT <a href="https://www.globtek.com/connectors/">https://www.globtek.com/connectors/</a> STANDARD PLUGS AND CONNECTORS CAN BE SEEN ONLINE AT <a href="https://www.globtek.com/connectors/">https://www.globtek.com/connectors/</a> CALCULATE VOLTAGE REGULATION/DROP WITH OUR ONLINE CALCULATOR: <a href="https://en.globtek.com/output-cable-regulation-calculator/">https://en.globtek.com/output-cable-regulation-calculator/</a>			

<p>GlobTek, Inc.  www.globtek.com  186 Veterans Drive,  Northvale, NJ 07647  Tel. (201) 784-1000  Fax (201) 784-0111</p>	<p>Drawing Title: GTM41060-2512-FW, ICT / ITE / Medical Power Supply, Efficiency Level: Meets/Exceeds for Medical, Case Color/Style: N/A, Open Frame/Internal, Regulated Switchmode AC-DC Power Supply AC Adaptor, Input Rating: 100-240V~, 50-60 Hz, Molex Header (or equal) , Output Rating: 25W, 12.0V@2.08A, Output Configuration: Molex 22-28-0060 or equivalent, 6 circuit connector, GT Connector # C0333, Pin Out: Pin 1, 2, 3: (+V) &amp; Pin 4,5,6: (Common), Blades/Input Cord: Not Applicable, Approvals: cUR (up to 30V only); UKCA; cRUus; NEMKO 60950; cRUus (up to 30V); CE; FCC; VCCI; China RoHS; Double Insulation; Ukraine; Level IV; WEEE; RoHS; GOST-R; CB 60601-1 2MOPP (up to 30V); Designed to meet EN 60950-1; SIQ (up to 30V only); 2MOPP; CE; CB 60950(up to 30V only);</p>
	<p>Model No. GTM41060-2512-FW</p>
	<p>Part No./Ordering No. GTM410602512FWIM(RE) <span style="float: right;">Rev J2</span></p>

## OUTPUT CONNECTOR HOOK UP

TO ADDRESS SYSTEM-LEVEL EMI CONCERNS, FERRITE CHOKES/BEADS MAY BE ADDED/REVISED UPON REQUEST. A SAMPLE KIT OF GLOBTEK'S STANDARD FERRITES IS AVAILABLE UNDER GLOBTEK P/N: EMI-MITIGATION-KIT1

FOR ADDITIONAL INFORMATION, PLEASE READ OUR WHITE PAPER AT:

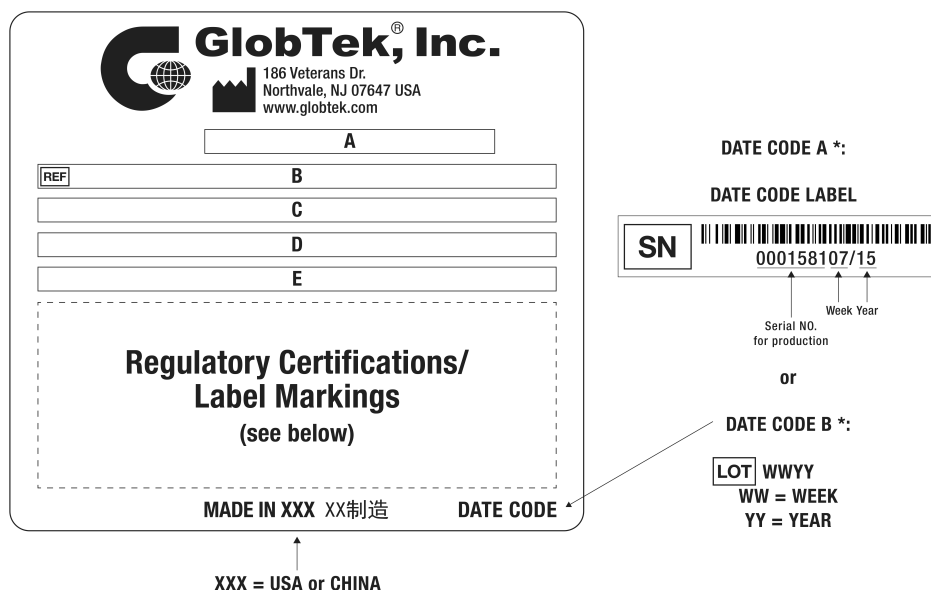
<https://en.globtek.com/technical-articles/ferrite-kit-radiated-emi-suppression-kit-for-globtek-power-supplies-cable-assemblies>

GloTek, Inc. www.globtek.com 186 Veterans Drive, Northvale, NJ 07647 Tel. (201) 784-1000 Fax (201) 784-0111	Drawing Title: GTM41060-2512-FW, ICT / ITE / Medical Power Supply, Efficiency Level: Meets/Exceeds for Medical, Case Color/Style: N/A, Open Frame/Internal, Regulated Switchmode AC-DC Power Supply AC Adaptor, Input Rating: 100-240V~, 50-60 Hz, Molex Header (or equal) , Output Rating: 25W, 12.0V@2.08A, Output Configuration: Molex 22-28-0060 or equivalent, 6 circuit connector, GT Connector # C0333, Pin Out: Pin 1, 2, 3: (+V) & Pin 4,5,6: (Common), Blades/Input Cord: Not Applicable, Approvals: cUR (up to 30V only); UKCA; cRUus; NEMKO 60950; cRUus (up to 30V); CE; FCC; VCCI; China RoHS; Double Insulation; Ukraine; Level IV; WEEE; RoHS; GOST-R; CB 60601-1 2MOPP (up to 30V); Designed to meet EN 60950-1; SIQ (up to 30V only); 2MOPP; CE; CB 60950(up to 30V only);	
	Model No. GTM41060-2512-FW	
	Part No./Ordering No. GTM410602512FWIM(RE)	Rev J2

**LABEL:L-1470**

LABEL P/N:	ISO 15223 medical device compliant label
MATERIAL:	Flat Thermal Transfer, Imprintable, Polyester Label and/or Pad Printed and/or Molded, and/or Laser Engraved in the case
BACKGROUND COLOR:	Black if housing is Black, White or Silver if housing is White or Gray.
TEXT COLOR:	White or Silver if label is Black Background for Black housing. Black if label is White or Silver background and Housing is White or Gray.
LABEL WIDTH (mm):	18.0
LABEL HEIGHT (mm):	15.0
SPECIAL BARCODE LABEL MATERIAL:	No

Below is the minimum information which will appear on the label. NOTE: in the logo area additional/actual positioning of symbols and text is subjected to change as per agency updates/requirements or additional model approvals become available. Agency logos may be in Regulatory Certifications/Label Markings area on the label or molded into the case housing outside the label area. Information will be shown via Label and/or Pad Printed and/or Molded in the case.



- A=ICT / ITE / Medical Power Supply
- B=P/N: (料号) GTM410602512FWIM(RE)
- C=Model (型号) GTM41060-2512-FW
- D=Input (输入)100-240V~, 50-60 Hz, 0.6 A
- E=Output (输出)12.0 V  $\equiv$  2.08 A, 25.0W

GloTek, Inc. www.globtek.com 186 Veterans Drive, Northvale, NJ 07647 Tel. (201) 784-1000 Fax (201) 784-0111	Drawing Title: GTM41060-2512-FW, ICT / ITE / Medical Power Supply, Efficiency Level: Meets/Exceeds for Medical, Case Color/Style: N/A, Open Frame/Internal, Regulated Switchmode AC-DC Power Supply AC Adaptor, Input Rating: 100-240V~, 50-60 Hz, Molex Header (or equal) , Output Rating: 25W, 12.0V@2.08A, Output Configuration: Molex 22-28-0060 or equivalent, 6 circuit connector, GT Connector # C0333, Pin Out: Pin 1, 2, 3: (+V) & Pin 4,5,6: (Common), Blades/Input Cord: Not Applicable, Approvals: cUR (up to 30V only); UKCA; cRUus; NEMKO 60950; cRUus (up to 30V); CE; FCC; VCCI; China RoHS; Double Insulation; Ukraine; Level IV; WEEE; RoHS; GOST-R; CB 60601-1 2MOPP (up to 30V); Designed to meet EN 60950-1; SIQ (up to 30V only); 2MOPP; CE; CB 60950(up to 30V only);	
	Model No. GTM41060-2512-FW	
	Part No./Ordering No. GTM410602512FWIM(RE)	Rev J2

AGENCY ONLINE DOCUMENTS	<a href="http://www.globtek.info/certs/GTM41060/">http://www.globtek.info/certs/GTM41060/</a>
CE EC-Declaration for Medical	<a href="http://globtek.force.com/models/ec_declaration_product?id=01t30000002p8wL&amp;m=1">http://globtek.force.com/models/ec_declaration_product?id=01t30000002p8wL&amp;m=1</a>
CE EC-Declaration for Industrial/Commercial/ITE	<a href="http://globtek.force.com/models/ec_declaration_product?id=01t30000002p8wL&amp;i=4">http://globtek.force.com/models/ec_declaration_product?id=01t30000002p8wL&amp;i=4</a>
CE EC-Declaration for Household	<a href="#">Contact GlobTek for more information</a>
UKCA-Declaration for Medical	<a href="http://globtek.force.com/models/ukca_declaration_product?id=01t30000002p8wL&amp;m=1">http://globtek.force.com/models/ukca_declaration_product?id=01t30000002p8wL&amp;m=1</a>
UKCA-Declaration for Industrial/Commercial/ITE	<a href="http://globtek.force.com/models/ukca_declaration_product?id=01t30000002p8wL&amp;i=4">http://globtek.force.com/models/ukca_declaration_product?id=01t30000002p8wL&amp;i=4</a>
UKCA-Declaration for Household	<a href="#">Contact GlobTek for more information</a>
Morocco SDoC Declaration	<a href="https://globtek.secure.force.com/models/Morocco_SDoC_Declaration?id=a0Oa000000HSxXOE1">https://globtek.secure.force.com/models/Morocco_SDoC_Declaration?id=a0Oa000000HSxXOE1</a>
RoHS/RoHS3 Declaration	<a href="https://www.globtek.com/pdf/rohs_cert/01t30000002p8wLAAQ">https://www.globtek.com/pdf/rohs_cert/01t30000002p8wLAAQ</a>
REACH Declaration	<a href="https://www.globtek.com/pdf/iso_certificates/REACH.pdf">https://www.globtek.com/pdf/iso_certificates/REACH.pdf</a>
Conflict Minerals Declaration	<a href="https://www.globtek.com/pdf/conflict-minerals.pdf">https://www.globtek.com/pdf/conflict-minerals.pdf</a>
Prop 65 Statement	<a href="https://en.globtek.com/prop-65-statement.pdf">https://en.globtek.com/prop-65-statement.pdf</a>

IPXY rating is based on 3rd party testing and customers should check suitability and test system level IPXY rating before ordering.

## Regulatory Certifications/Label Markings

Below follows a link to the latest regulatory certifications and marks for this specific product. National standards as well as certification schemes are constantly changing and so is the set of certification marks and symbols applicable to this product. Various standards, marks and symbols, and certificates are subject to change at any time without notice.

Additional standards or unique country certifications are available upon request. Please contact Globtek to request a quotation.

LATEST PRODUCT/MODEL CERTIFICATIONS: <https://en.globtek.com/datasheet/id/a0Oa000000HSxXO>

AGENCY ONLINE DOCUMENTS: <http://www.globtek.info/certs/GTM41060/>



(F1) Class II / Double Insulated

Pin 1, 2, 3: (+V) & Pin 4,5,6: (Common)

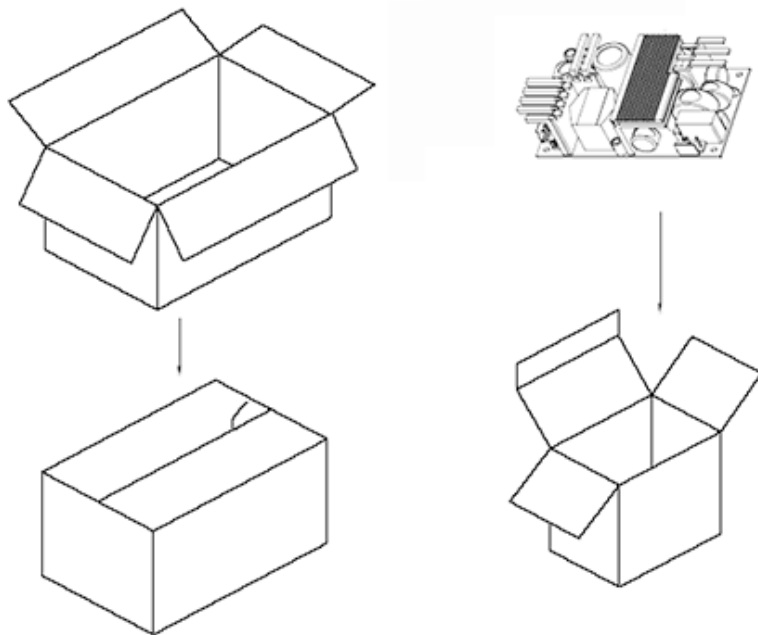
<b>GlobTek, Inc.</b> www.globtek.com 186 Veterans Drive, Northvale, NJ 07647 Tel. (201) 784-1000 Fax (201) 784-0111	Drawing Title: GTM41060-2512-FW, ICT / ITE / Medical Power Supply, Efficiency Level: Meets/Exceeds for Medical, Case Color/Style: N/A, Open Frame/Internal, Regulated Switchmode AC-DC Power Supply AC Adaptor, Input Rating: 100-240V~, 50-60 Hz, Molex Header (or equal) , Output Rating: 25W, 12.0V@2.08A, Output Configuration: Molex 22-28-0060 or equivalent, 6 circuit connector, GT Connector # C0333, Pin Out: Pin 1, 2, 3: (+V) & Pin 4,5,6: (Common), Blades/Input Cord: Not Applicable, Approvals: cUR (up to 30V only); UKCA; cRUus; NEMKO 60950; cRUus (up to 30V); CE; FCC; VCCI; China RoHS; Double Insulation; Ukraine; Level IV; WEEE; RoHS; GOST-R; CB 60601-1 2MOPP (up to 30V); Designed to meet EN 60950-1; SIQ (up to 30V only); 2MOPP; CE; CB 60950(up to 30V only);
	<b>Model No. GTM41060-2512-FW</b>
	<b>Part No./Ordering No. GTM410602512FWIM(RE)</b>
	<b>Rev J2</b>

## PACKAGING

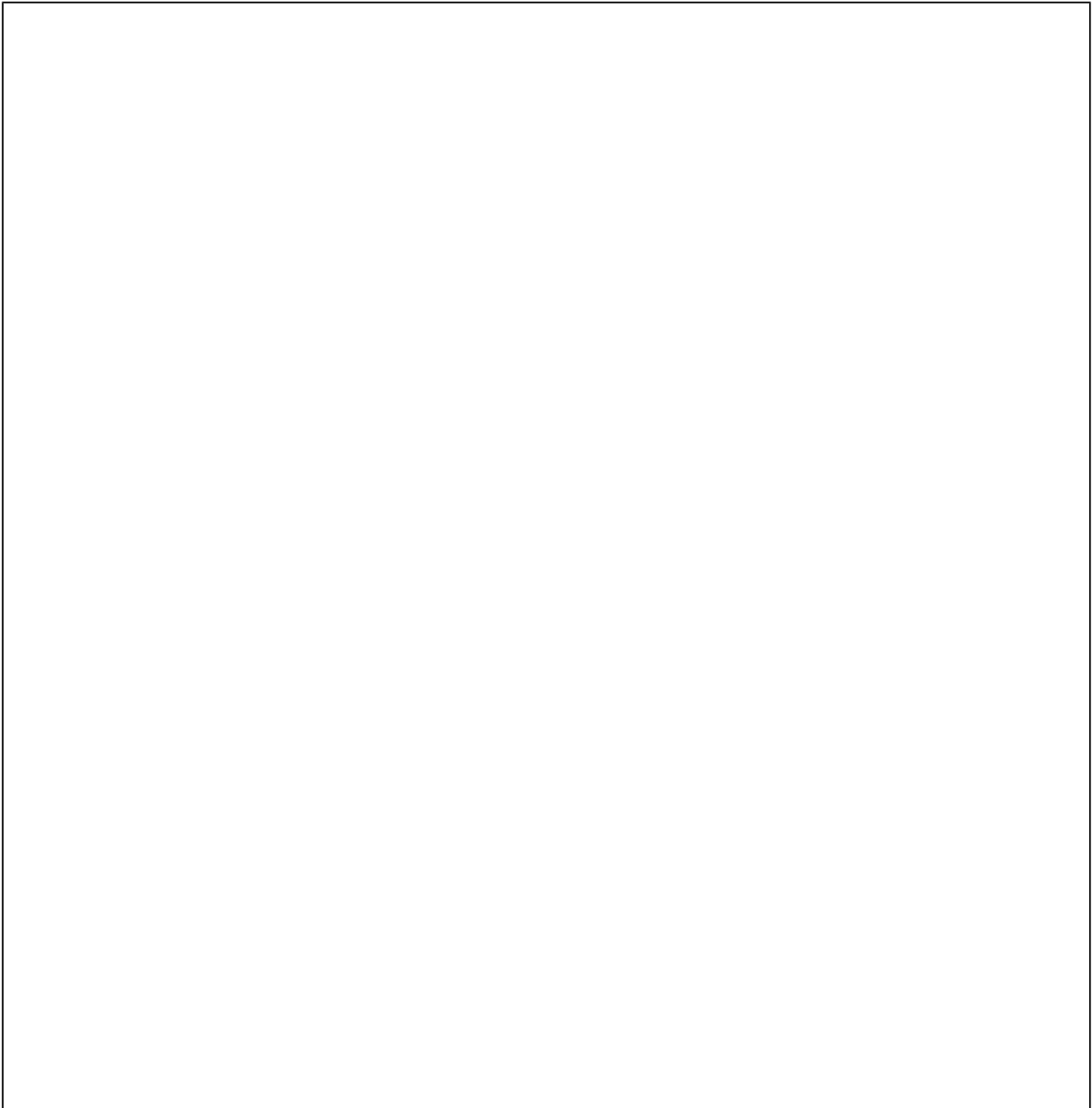
Packing Spec P/N:	Standard OF, Individually Box
Box Qty:	100
Gift Box Size (mm):	112*75*42
Gift Box Color:	White
Master Carton Size (mm):	469 x 395 x 250
Master Carton Cubic Volume (m³):	0.05
Master GW (Kg):	10.8 kg
BLADES INCLUDED:	N/A: Not Applicable
BLADE/CORD INSTALLED:	N/A: Not Applicable
USER MANUAL*:	N/A User Manual
USER MANUAL WEB LINK:	

\* This specification sheet is considered the user manual for all applications. It is expected that the buyer of this product will use it to formulate their own user manual for their end product and a user manual specifically for the power adapter is not usually required. If a user manual is not specifically listed above then none will be provided with this unit.

If specific packaging is required, this section must specify all requirements and note "no exceptions". If this section does not specify packaging, it is subject to change without notice at GlobTek's discretion  
(Power Supply in picture for reference only)



<p>GlobTek, Inc.  www.globtek.com  186 Veterans Drive,  Northvale, NJ 07647  Tel. (201) 784-1000  Fax (201) 784-0111</p>	<p>Drawing Title: GTM41060-2512-FW, ICT / ITE / Medical Power Supply, Efficiency Level: Meets/Exceeds for Medical, Case Color/Style: N/A, Open Frame/Internal, Regulated Switchmode AC-DC Power Supply AC Adaptor, Input Rating: 100-240V~, 50-60 Hz, Molex Header (or equal) , Output Rating: 25W, 12.0V@2.08A, Output Configuration: Molex 22-28-0060 or equivalent, 6 circuit connector, GT Connector # C0333, Pin Out: Pin 1, 2, 3: (+V) &amp; Pin 4,5,6: (Common), Blades/Input Cord: Not Applicable, Approvals: cUR (up to 30V only); UKCA; cRUus; NEMKO 60950; cRUus (up to 30V); CE; FCC; VCCI; China RoHS; Double Insulation; Ukraine; Level IV; WEEE; RoHS; GOST-R; CB 60601-1 2MOPP (up to 30V); Designed to meet EN 60950-1; SIQ (up to 30V only); 2MOPP; CE; CB 60950(up to 30V only);</p>
	<p>Model No. GTM41060-2512-FW</p>
	<p>Part No./Ordering No. GTM410602512FWIM(RE) <span style="float: right;">Rev J2</span></p>



<p>GlobTek, Inc. www.globtek.com 186 Veterans Drive, Northvale, NJ 07647 Tel. (201) 784-1000 Fax (201) 784-0111</p>	<p>Drawing Title: GTM41060-2512-FW, ICT / ITE / Medical Power Supply, Efficiency Level: Meets/Exceeds for Medical, Case Color/Style: N/A, Open Frame/Internal, Regulated Switchmode AC-DC Power Supply AC Adaptor, Input Rating: 100-240V~, 50-60 Hz, Molex Header (or equal) , Output Rating: 25W, 12.0V@2.08A, Output Configuration: Molex 22-28-0060 or equivalent, 6 circuit connector, GT Connector # C0333, Pin Out: Pin 1, 2, 3: (+V) &amp; Pin 4,5,6: (Common), Blades/Input Cord: Not Applicable, Approvals: cUR (up to 30V only); UKCA; cRUus; NEMKO 60950; cRUus (up to 30V); CE; FCC; VCCI; China RoHS; Double Insulation; Ukraine; Level IV; WEEE; RoHS; GOST-R; CB 60601-1 2MOPP (up to 30V); Designed to meet EN 60950-1; SIQ (up to 30V only); 2MOPP; CE; CB 60950(up to 30V only);</p>
	<p>Model No. GTM41060-2512-FW</p>
	<p>Part No./Ordering No. GTM410602512FWIM(RE) <span style="float: right;">Rev J2</span></p>

## INSTRUCTIONS TO THE OEM SYSTEMS ENGINEER

It is the responsibility of the OEM systems engineer to provide the end system user instructions and warnings for the use of this product in the end system.

If an input cord is required for this product, AC Mains voltage should be provided to the power supply by a power supply cord approved to the national standards of the country in which it will be used.

This power supply is not designed to be repaired. No serviceable parts inside. A blown internal fuse is an indication of catastrophic failure of circuit component(s). If a Failure Analysis is required for a failed power supply/battery charger, please return the damaged unit to GlobTek for an accurate determination of the root cause of the failure.

EMC Compliance of the complete OEM product, including the GlobTek power supply/battery charger needs to be verified by the OEM systems engineer.

## INSTRUCTION SHEET

N/A