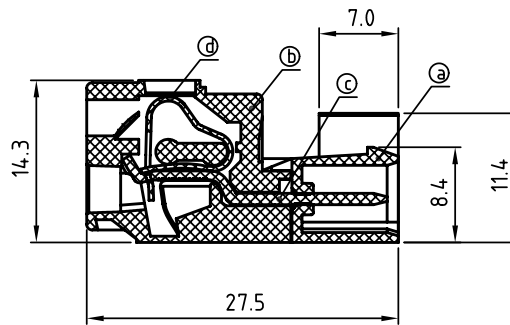
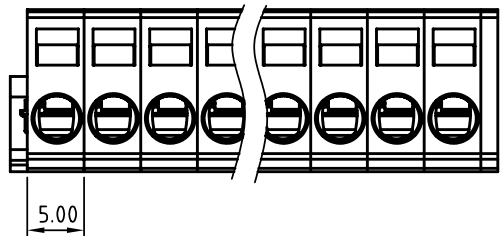
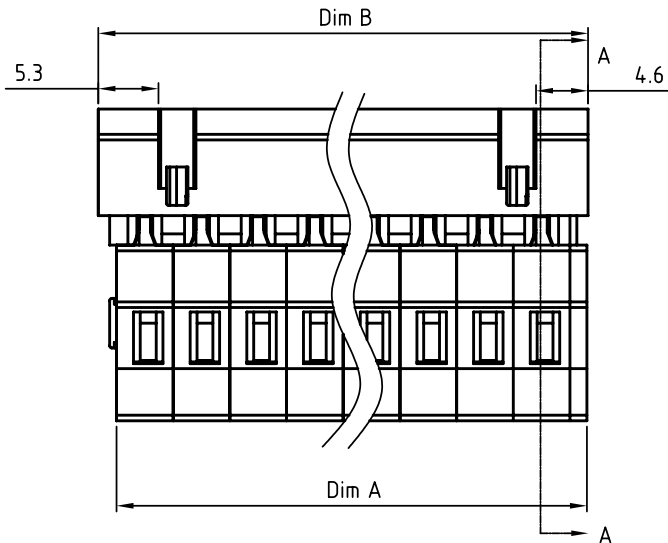
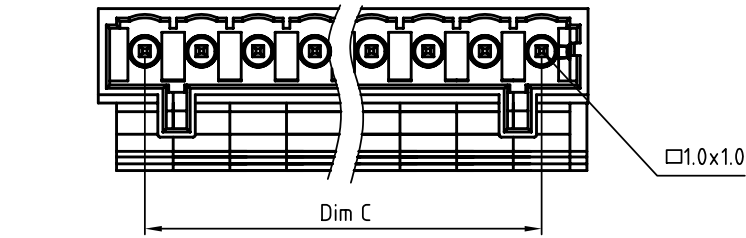


SIGN	DATE	DESCRIPTION	APPROVER
THIS IS CAD DRAWING, DO NOT REVISE MANUALLY!!!			



SECTION A-A

Material:

- Item a :Terminal body Thermoplastic (UL94 V-0)
- Item b :Terminal body Thermoplastic (UL94 V-0)
- Item c :Male contact pin: Brass Tin plated
- Item d :Spring clamp: Stainless steel

Electrical

- Voltage rating: 300V
- Current rating: 8A
- Wire range:
- Solid wire(AWG): 12-28
- Stranded wire(AWG): 12-28
- Wire strip length: 8-9mm
- Withstanding Voltage: 1.6KV
- Operating temperature: -40°C to +105°C
- Safety Approval: us

NB xx 7 0 x 2 xxxx G

- 02 2 poles
 - 03 3 poles
 -
 - 24 24 poles
- 0 Black
 - 5 Green (RAL6018/T)
 - 6 Blue
 - 8 Grey (RAL7035/D)
- RoHS
Pb<40,000ppm
- 0000 Standard @ Logo
000A Standard ANY Logo
Any special item by customer request, please contact sales department.

N = Number of poles

Dim A=Nx5.0+1.5

Dim B=Nx5.0+3.2

Dim C=(N-1)x5.0

	Dim A	Dim B	Dim C
2-6p	±0.20	±0.20	±0.20
7-12p	±0.25	±0.25	±0.25
13-18p	±0.30	±0.30	±0.30
19-24p	±0.40	±0.40	±0.40

ANYTEK				CUSTOMER COPY			
ALL RIGHTS RESERVED. REPRODUCTION OR ISSUE TO THIRD PARTIES IN ANY FORM WHATSOEVER IS NOT PERMITTED WITHOUT WRITTEN AUTHORITY FROM THE PROPRIETOR. PROPERTY OF ANYTEK TECHNOLOGY CO., LTD							
TITLE		NB 5.0mm series Hook holder					
PART NO.		NBxx70x2xxxxG		DWG NO.		8NB0005	
APPROVED		CHECKED		DESIGNED		DRAWN	
				Runner		Runner	
				2010.04.22		2010.04.22	
						Tolerance	
				UNIT: mm		X. ±0.50	
				SCALE: 2/1		X.X ±0.30	
				SHEET: 01/01		X.XX ±0.10	
				REV.: B		X° ±1°	