

## Ethernet Surge Protector

### Features

- 10/100/1,000/10,000Mb (10G) Data Rate
- CAT5, CAT5e, CAT6, CAT6a Compatible.
- 802.3af, 802.3at, 802.3bt and Passive PoE Compatible
- PoE, PoE+ and PoE++ Compatible
- Shielded RJ45 Jacks and Full Metal Housing
- Industrial strength operating range to 90C
- Over-Current Protected
- Complies with IEC 61000-4-5 Standard
- UL497B Listed



### Applications

- Wireless Access Points and Client Devices
- IP Phone and Security Camera Systems
- Industrial Control Systems

### Description

The TP-ESP-10G-POE are a high performance Ethernet surge protector to help protect sensitive equipment from surges caused by lightning and grid power fluctuations. They protect to an impressive 10KA and are compatible with up to 10Gbps Ethernet networks. The surge protectors are also compatible with IEEE802.3af/at/bt PoE standards.

They have a full metal body for improved EMI suppression and have integral mounting feet and separate ground wire. Incorporating a rugged design, they are perfect for indoor or outdoor use inside a weatherproof enclosure. The TP-ESP-10G-POE is compatible with 10/100/1,000M/10,000M POE systems up to 58V and can also be used successfully in pure data systems without PoE . Common mode and Differential Mode Protection is provided on all 8 Ethernet wires.

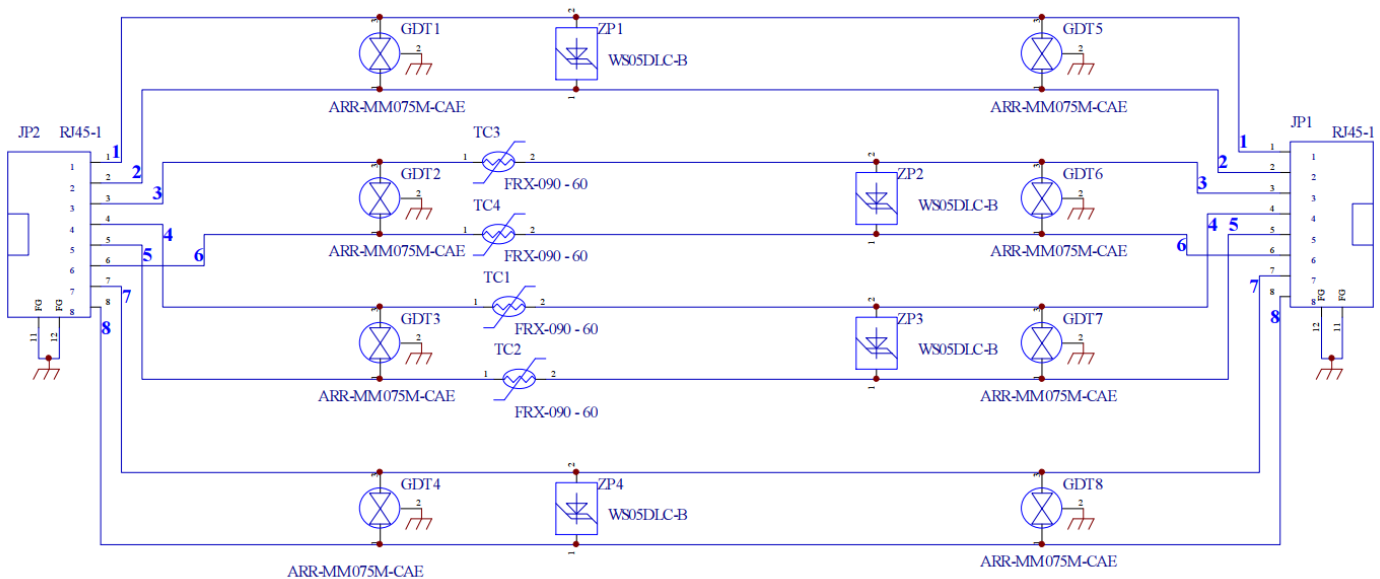
A ground wire is included to tie into the user's earth ground system. Surge protectors should be mounted as close to the protected equipment as is feasible. Tycon offers a small outdoor enclosure to weatherproof the surge protector. There is also a DIN rail mounting kit available for DIN rail mounting the surge protector.

### Specifications

	TP-ESP-10G-POE
<b>Operating Voltage</b>	POE < 58V
<b>Operating Current</b>	2.5A
<b>Clamping Voltage</b>	70V POE (All 8 Pins)
<b>Max Surge Discharge Current</b>	10KA (8/20us, 10 times with 3 mins interval)
<b>Peak Pulse Current</b>	100A (10/1000us, 300 times with 3mins interval)
<b>Protection Mode</b>	Differential & Common Mode
<b>Insulation Resistance</b>	>10,000 MOhm
<b>Capacitance (line to line)</b>	< 3 pF
<b>Data Rate</b>	10/100/1,000/10,000 Mbps (10Gbps)
<b>Operating Temperature</b>	-40 to +90°C

<b>Storage Temperature</b>	-40 to +125°C
<b>Operating Humidity</b>	0% to 95% non condensing
<b>Size (L x W x H)</b>	4.7 x 1 x 1" (120 x 25.4 x 25.4mm)
<b>Weight</b>	2.8oz (80g)
<b>Ground Wire</b>	14 AWG, 10.8" (275mm) long
<b>Connectors</b>	RJ45 Shielded Jacks
<b>Ethernet Cable Compatibility</b>	CAT5, CAT5e, CAT6, CAT6a
<b>IEC Standard</b>	61000-4-5
<b>UL Standard</b>	497B
<b>MTBF (Mean Time Between Failure)</b>	1,414,941 Hours
<b>Warranty</b>	3 Years

**Schematic**



**System Ordering:**

**TP-ESP-10G-POE**

10Gbps 10KA Network Lightning/ Surge Suppressor

**For further information contact:**

[Tyconsystems.com](http://Tyconsystems.com)



14641 S 800 W Ste A Bluffdale, UT 84065  
 PH: 801-432-0003 FAX: 801-618-4220