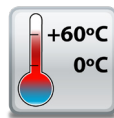


UK +44 (0)151 220 2500 // USA +1 855 958 2502 // www.brainboxes.com // sales@brainboxes.com

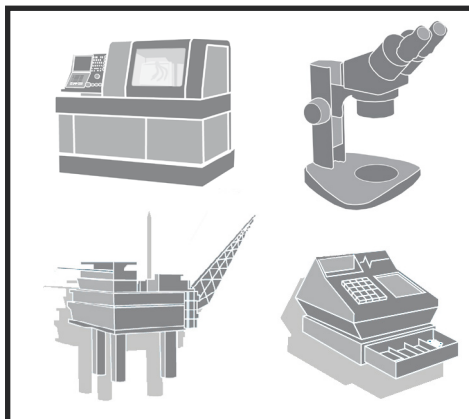
US-324

1 Port RS422/485 USB to Serial Adapter

- 1 Port RS-232 USB to Serial Adapter
- Data rate from 300 to 921,600 baud
- Sample Programs, Test & Terminal software
- 0°C to +60°C / -32°F to +140°F Operating Temperature
- Includes 0.25mm USB Extender Type A to B cable
- Works where many other USB to Serial

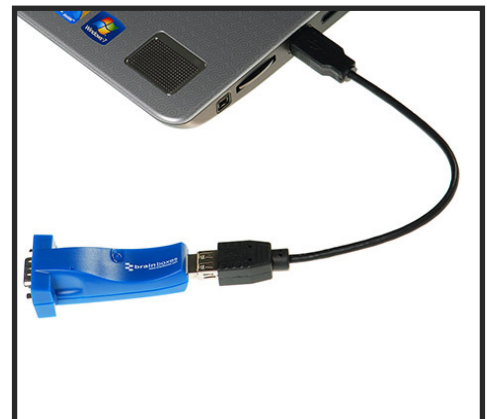


0°C to +60°C
32°F to +140°F
Operating Temperature



Example applications:

CNC Machine
Laboratory
Oil Rig
Point of Sale



Attach to a USB port via included 0.25mm USB Type A to B Extender cable



UK +44 (0)151 220 2500 // USA +1 855 958 2502 //
www.brainboxes.com // sales@brainboxes.com

US-324 1 Port RS422/485 USB to Serial Adapter

IP-30 rated non-conducting case

Attach to a USB port via included 0.25mm USB Type A to B Extender cable

0°C to +60°C / -32°F to +140°F temperature range



Sample Programs, Test & Terminal software

Plug and play with signed drivers

Works across the full spectrum of baud rates up to 921,600 including standard and arbitrary values

Housing & Connectors

IP-50 rated non-conducting polyamide case
DB9 Connector - 9 Pin Male
High Retention USB Connector

Power Consumption

80mA @ +5VDC

Environmental

Operating Temperature 0 °C to +60 °C / 32 °F to +140 °F

Storage Temperature 0 °C to +60 °C / 32 °F to +140 °F

Port Settings - RS422/485

Baud Rate 921,600

Data Bits 7 or 8

Parity Odd, Even, None, Mark or Space

Stop Bits 1 or 2

Tx/Rx Modes Full Duplex, Half Duplex Autogating

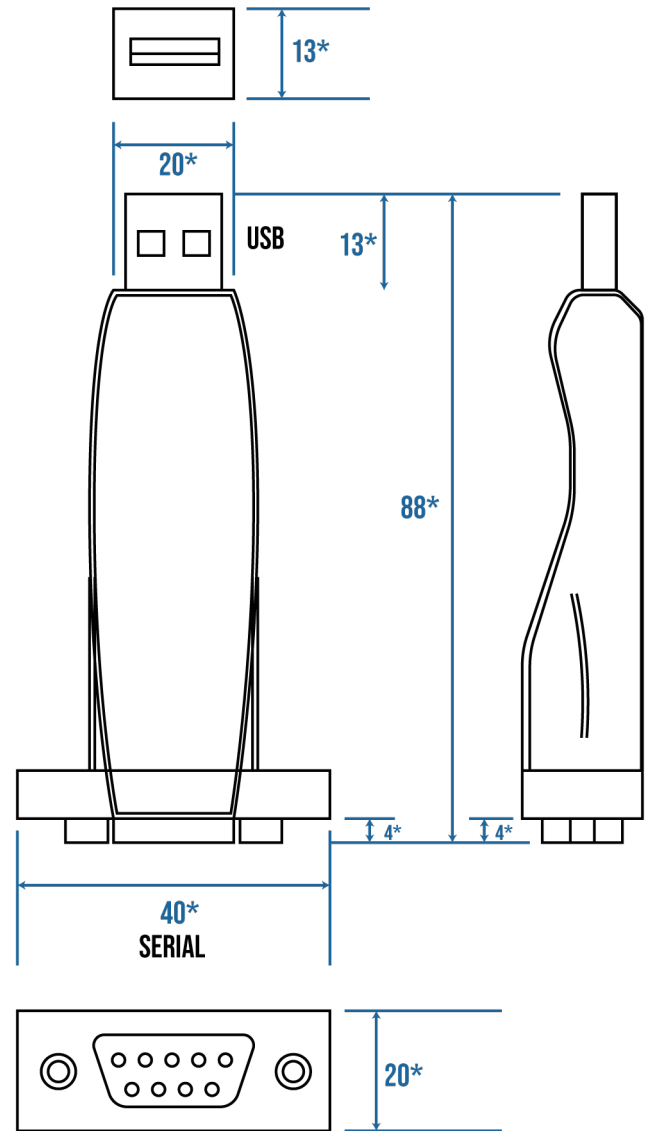
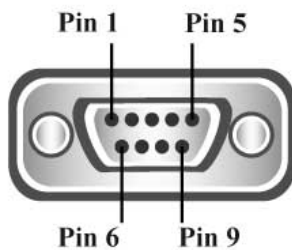
US-324 1 Port RS422/485 USB to Serial Adapter

***ALL DIMENSIONS IN MM**

RS422/485

Pin 1	TXD-
Pin 2	TXD+
Pin 3	RTS-
Pin 4	RTS+
Pin 5	GND
Pin 6	RXD-
Pin 7	RXD+
Pin 8	CTS
Pin 9	CTS+

RS422/485 Pinout (9 Pin)



Software

OS Compatibility

Brainboxes' software provides a Serial COM port interface. All software versions and updates available to download from our website.

Microsoft

Windows 8, Windows 8.1, Windows 10
Windows Server 2016
Windows Server 2019



Lifetime Warranty and Support:

We can help with every aspect of your project, from getting you up and running to custom application.

UK +44 (0)151 220 2500 // USA +1 855 958 2502 //
www.brainboxes.com // sales@brainboxes.com

US-324 1 Port RS422/485 USB to Serial Adapter

Packaging Information	QSG, Device, 0.25mm USB Type A to B Extender cable (signed drivers are automatically downloaded by Windows OS)
Product Weight	0.023 kg, 0.81 ounces
Product Dims	89x35x20 mm, 3.5x1.4x0.8 inches
Packaged Weight	0.155 kg, 5.47 ounces
Packaged Dims	160x135x45 mm, 6.3x5.3x1.8 inches
GTIN Universal Code	837324002140
Industry Approvals	Microsoft Certified Gold Partner, WEEE, RoHS, AEO (C-TPAT), CE, UKCA, UL
HTS	8471800000
ECCN	4A994
CAGE	8QCY6
Warranty	Lifetime - online registration required
Support	Lifetime Web, Email & Phone Support from fully qualified, friendly staff who work in and alongside the Product Development Team
Standards	ISO9001, ISO14001
OEM option	Available for bulk buy OEM
Customisable	Brainboxes operate a 'Perfect Fit Custom Design' policy for volume users More info:sales@brainboxes.com

USB to Serial Range

USB to Serial adaptors available in a range of formats and specifications

www.brainboxes.com



US-159

Ultra 1 Port RS232 Isolated
USB to Serial Adapter



US-235

Ultra 1 Port RS232 USB to
Serial Adapter



US-257

2 Port RS232 USB to Serial
Adapter