

XAPJ1201

Harmony XAP, XB2 SL, Empty control station, zinc alloy, yellow lid, blue base, 1 cut-out, Ø22, 80 x 80 x 51.5 mm



Main

Range of Product	Harmony XAP
Product or Component Type	Die-cast empty control station
Device short name	XAPJ
Product destination	For Ø 22 mm control and signalling units
Product front plate size	80 x 80 mm
Usable depth	1.93 in (49 mm)
Number of cut-out	1 cut-out
Colour of base of enclosure	Blue
Colour of cover	Yellow
Material	Zinc alloy
Cable entry	1 hole with blanking plug for cable gland 0.55 in (14 mm) 1 hole without blanking plug for cable gland 0.55 in (14 mm)
Device mounting	Flush
IP degree of protection	IP65 IEC 60529 IP69 NF C 20-010 IP69K

Complementary

Number of vertical rows	1
Net Weight	1.00 lb(US) (0.455 kg)

Environment

Protective treatment	TC
Ambient Air Temperature for Storage	-40...158 °F (-40...70 °C)
Ambient air temperature for operation	-40...158 °F (-40...70 °C)
Oversoltage category	Class I IEC 60536 Class I NF C 20-030

Ordering and shipping details

Category	22475 - WALL STATIONS
Discount Schedule	CS2
GTIN	3389110663709
Nbr. of units in pkg.	1
Package weight(Lbs)	18.62 oz (528 g)
Returnability	No
Country of origin	MA

The information provided in this documentation contains general descriptions and/or technical characteristics of the performance of the products contained herein. This documentation is not intended as a substitute for and is not to be used for determining suitability or reliability of these products for specific user applications. It is the duty of any such user or integrator to perform the appropriate and complete risk analysis, evaluation and testing of the products with respect to the relevant specific application or use thereof. Neither Schneider Electric Industries SAS nor any of its affiliates or subsidiaries shall be responsible or liable for misuse of the information contained herein.

Packing Units

Unit Type of Package 1	PCE
Package 1 Height	3.74 in (9.5 cm)
Package 1 width	3.94 in (10 cm)
Package 1 Length	3.94 in (10 cm)
Unit Type of Package 2	S02
Number of Units in Package 2	12
Package 2 Weight	14.80 lb(US) (6.711 kg)
Package 2 Height	5.91 in (15 cm)
Package 2 width	11.81 in (30 cm)
Package 2 Length	15.75 in (40 cm)

Offer Sustainability

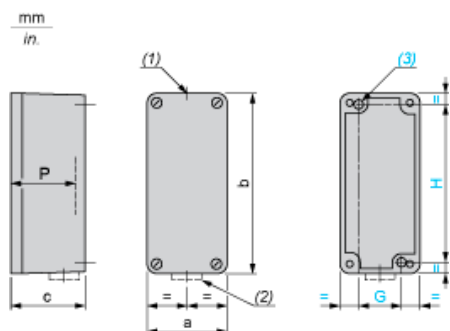
Sustainable offer status	Green Premium product
California proposition 65	WARNING: This product can expose you to chemicals including: Di-isodecyl phthalate (DIDP), which is known to the State of California to cause birth defects or other reproductive harm. For more information go to www.P65Warnings.ca.gov
REACH Regulation	REACH Declaration
REACH free of SVHC	Yes
EU RoHS Directive	Pro-active compliance (Product out of EU RoHS legal scope) EU RoHS Declaration
Toxic heavy metal free	Yes
Mercury free	Yes
RoHS exemption information	Yes
China RoHS Regulation	China RoHS Declaration
Environmental Disclosure	Product Environmental Profile
Circularity Profile	End Of Life Information

Contractual warranty

Warranty	18 months
----------	-----------

Dimensions and Fixing

Refer to the product characteristics to get the number of cut-outs.



- (1) 1 hole, without blanking plug, for cable gland with 14 mm/0.55 in. maximum clamping capacity
 - (2) 1 hole, with blanking plug (protrusion 6 mm/0.23 in.), for cable gland with 14 mm/0.55 in. maximum clamping capacity
 - (3) 2 x Ø 5.6 mm/0.22 in. holes, depth 20 mm/0.78 in.
- P Usable depth

a		b		c		G		H		P	
mm	in.	mm	in.	mm	in.	mm	in.	mm	in.	mm	in.
80	3.15	80	3.15	51.5	2.01	50	1.97	65	2.56	49	1.93