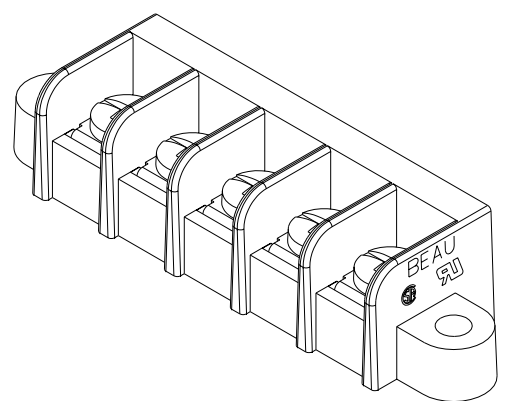
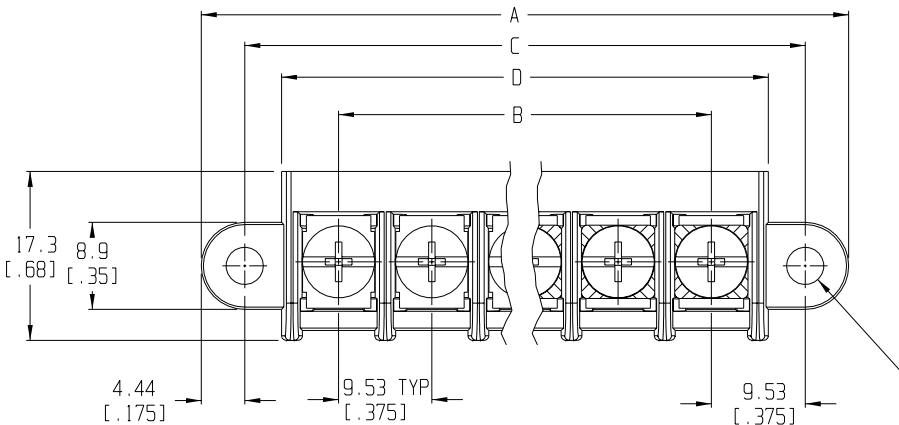
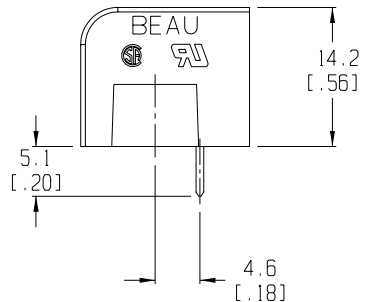
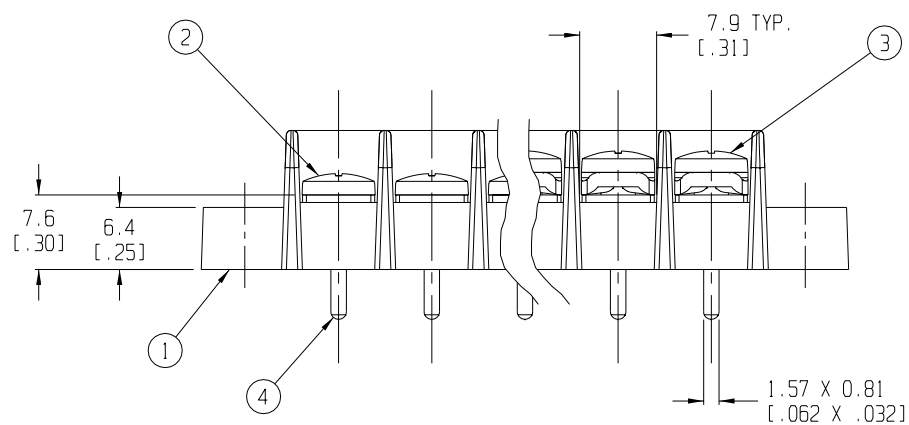


RECOMMENDED PTH PATTERN
SCALE 1:1



5 CIRCUIT SHOWN
Ø3.81 2 HOLES [.150]



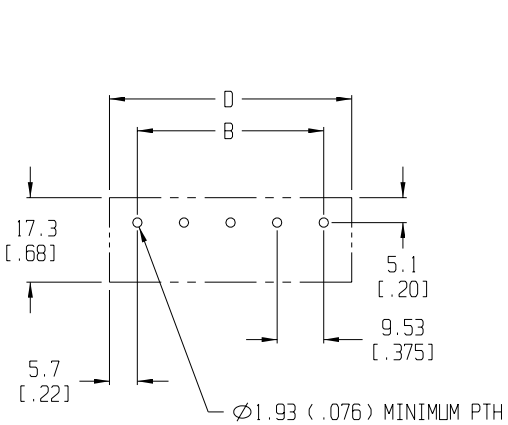
- NOTES:
1. MATERIAL: SEE TABLE
 2. FINISHES: SEE TABLE
 3. PRODUCT SPECIFICATION: UL & CSA, 12-24 AWG
 4. PACKAGING: NOT REQUIRED
 5. MATES WITH: NONE
 6. "XX" REFERS TO QTY. OF CIRCUITS
 7. LENGTH TABLE SHOWN ON SHEET 2
 8. REFER TO SD-38120-001 (-10A THRU -10D AND -11A THRU -11D) OR SD-38120-002 (-10AT THRU -10DT AND -11AT THRU -11DT) FOR OPTIONAL IMPRINTING.

| ITEM | QTY. | DESCRIPTION | MATERIAL | FINISH |
|------|------|--------------------------|---------------|---------------|
| 4 | XX | TERMINAL | BRASS | TIN PLATE |
| 3 | XX | SCREW & WASHER (-50 OPT) | STEEL | ZINC CHROMATE |
| 2 | XX | SCREW (STD.) | STEEL | ZINC CHROMATE |
| 1 | 1 | BARRIER TERMINAL STRIP | THERMOPLASTIC | BLACK |

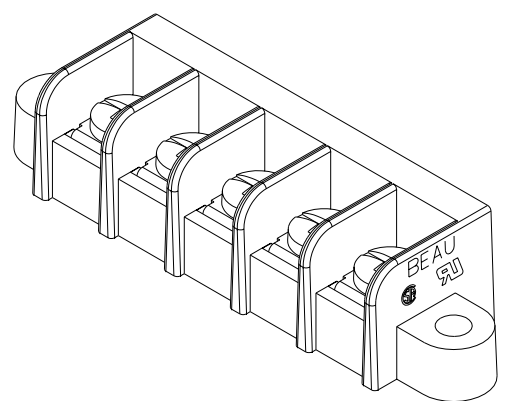
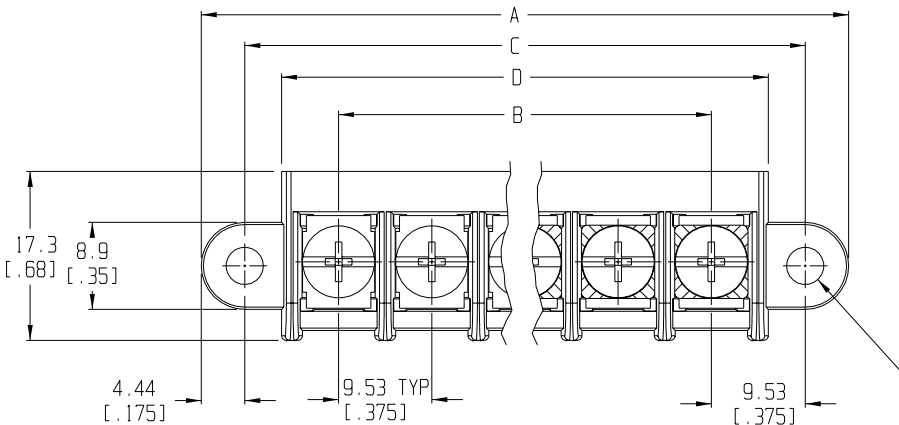
| | | | | | |
|---|---|--|---|--|---|
| EC NO. RELEASED DRWN: CLY CHK: APPR: REV A | DESCRIPTION MAJOR CRITICAL SPC | GENERAL TOLERANCES: (UNLESS SPECIFIED) | SCALE 2:1 DESIGN UNITS <input type="checkbox"/> mm <input checked="" type="checkbox"/> INCH | THIRD ANGLE PROJECTION | PROJECT NO. - DIMENSIONS: <input checked="" type="checkbox"/> mm <input type="checkbox"/> INCH <input type="checkbox"/> mm ONLY |
| | | 4 PLACES ±.0015 3 PLACES ±.038 ±.005 2 PLACES ±.13 ±.01 1 PLACE ±.3 | DRAWN BY & DATE C. YORK 7-29-03 | TITLE: SR BTS, PC TERMINAL | SHEET REV I - SHT REV |
| | | ANGULAR: ±2° | CHECKED BY & DATE APPROVED BY & DATE | MOLEX INCORPORATED | REVISE ON CAD ONLY |
| | | DRAFT WHERE APPLICABLE MUST REMAIN WITHIN DIMENSIONS | CAD FILENAME 755XX | MATERIAL NO. SEE SHEET 2 DRAWING NO. SD-38750-001 | SHEET NO. 1 OF 2 |

THIS DRAWING CONTAINS INFORMATION THAT IS PROPRIETARY TO MOLEX INCORPORATED AND SHOULD NOT BE USED WITHOUT WRITTEN PERMISSION.

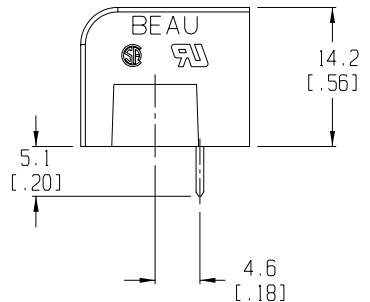
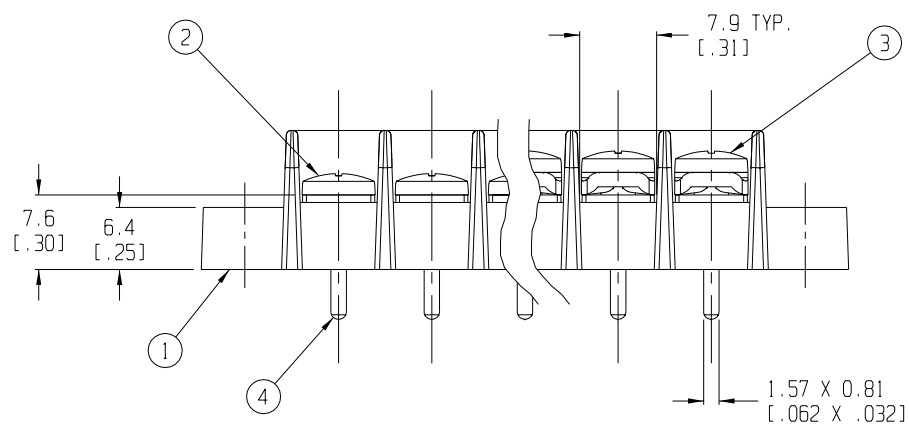
| | | | | | | | | |
|----|---|---|---|---|---|---|---|---|
| 10 | 9 | 8 | 7 | 5 | 4 | 3 | 2 | 1 |
|----|---|---|---|---|---|---|---|---|



RECOMMENDED PTH PATTERN
SCALE 1:1



5 CIRCUIT SHOWN
Ø3.81 2 HOLES [.150]



- NOTES:
1. MATERIAL: SEE TABLE
 2. FINISHES: SEE TABLE
 3. PRODUCT SPECIFICATION: UL & CSA, 12-24 AWG
 4. PACKAGING: NOT REQUIRED
 5. MATES WITH: NONE
 6. "XX" REFERS TO QTY. OF CIRCUITS
 7. LENGTH TABLE SHOWN ON SHEET 2
 8. REFER TO SD-38120-001 (-10A THRU -10D AND -11A THRU -11D) OR SD-38120-002 (-10AT THRU -10DT AND -11AT THRU -11DT) FOR OPTIONAL IMPRINTING.

| ITEM | QTY. | DESCRIPTION | MATERIAL | FINISH |
|------|------|--------------------------|---------------|---------------|
| 4 | XX | TERMINAL | BRASS | TIN PLATE |
| 3 | XX | SCREW & WASHER (-50 OPT) | STEEL | ZINC CHROMATE |
| 2 | XX | SCREW (STD.) | STEEL | ZINC CHROMATE |
| 1 | 1 | BARRIER TERMINAL STRIP | THERMOPLASTIC | BLACK |

RELEASED
CLY

EC NO. DRWN: CH'K: APPR:

REV A

DESCRIPTION

QUALITY SYMBOLS

MAJOR =

CRITICAL =

SPC =

GENERAL TOLERANCES:
(UNLESS SPECIFIED)

| | mm | INCH |
|----------|--------|-------|
| 4 PLACES | ±.0015 | ±.005 |
| 3 PLACES | ±.038 | ±.005 |
| 2 PLACES | ±.13 | ±.01 |
| 1 PLACE | ±.3 | |

ANGULAR: ±2°

DRAFT WHERE APPLICABLE MUST REMAIN WITHIN DIMENSIONS

SCALE 2:1

DESIGN UNITS mm INCH

THIRD ANGLE PROJECTION

TITLE: SR BTS, PC TERMINAL

MOLEX MOLEX INCORPORATED

MATERIAL NO. SEE SHEET 2

DRAWING NO. SD-38750-001

SHEET NO. 1 OF 2

SIZE B

| | | |
|--|---|--------------------|
| PROJECT NO. - | I | - |
| DIMENSIONS: | SHT | REV |
| <input checked="" type="checkbox"/> mm <input type="checkbox"/> INCH | <input type="checkbox"/> mm <input type="checkbox"/> ONLY | REVISE ON CAD ONLY |
| THIS DRAWING CONTAINS INFORMATION THAT IS PROPRIETARY TO MOLEX INCORPORATED AND SHOULD NOT BE USED WITHOUT WRITTEN PERMISSION. | | |