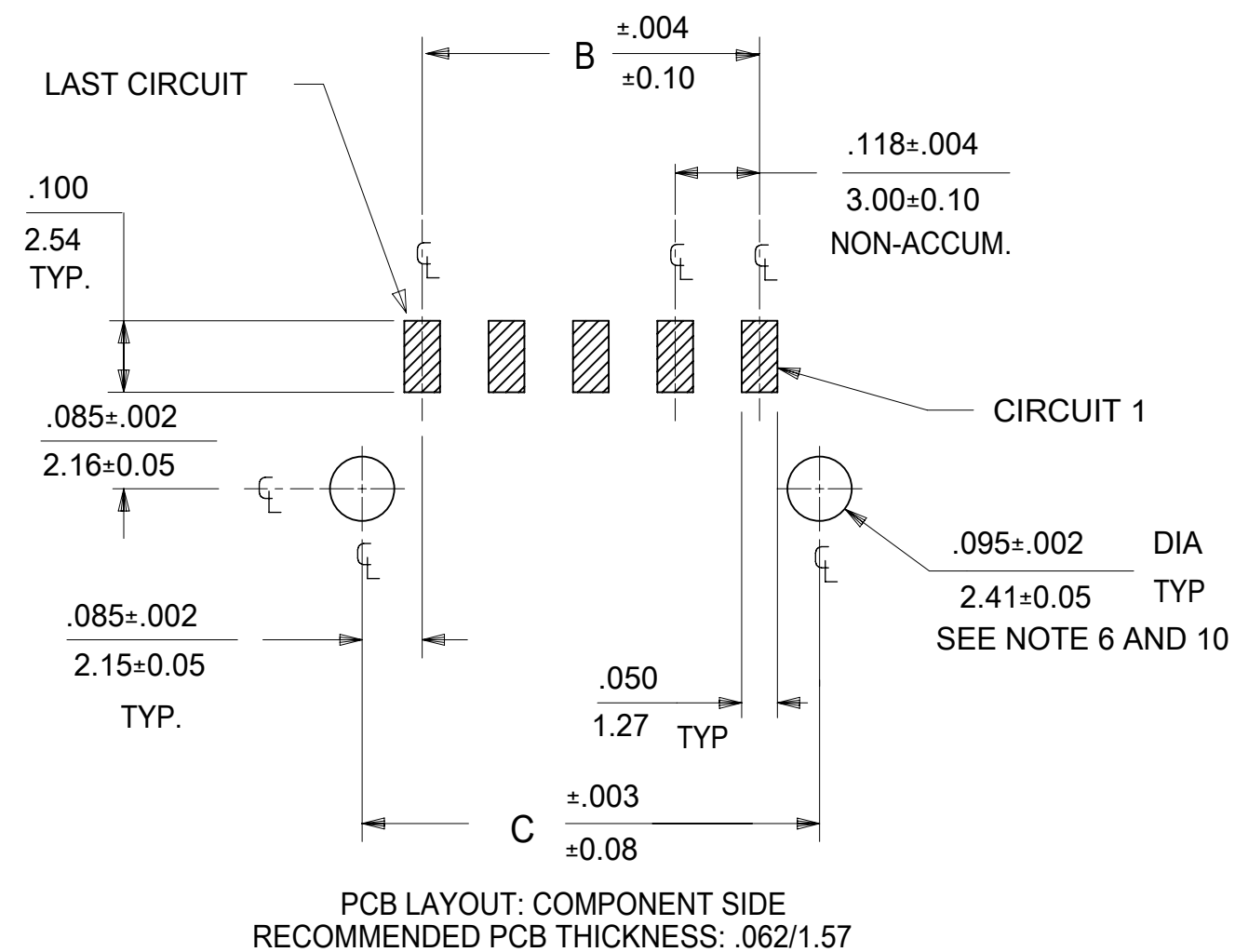
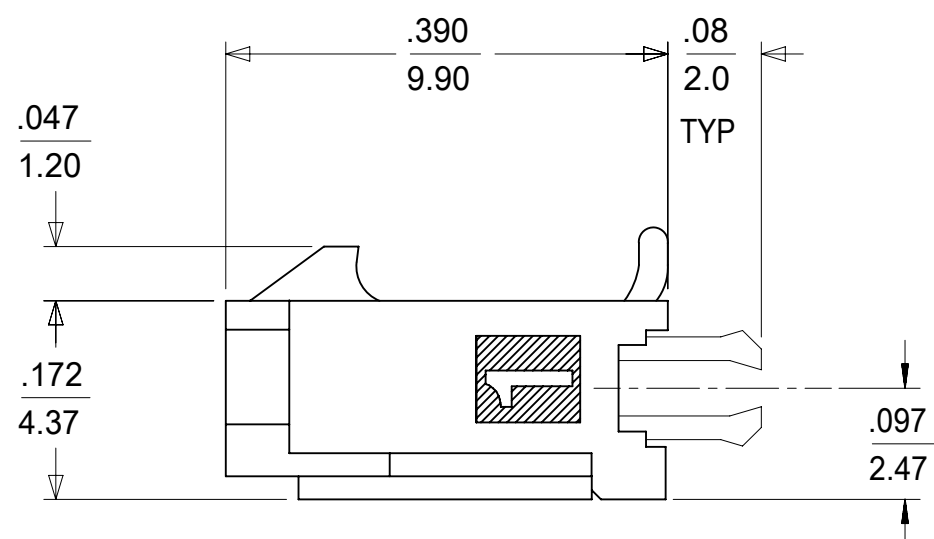
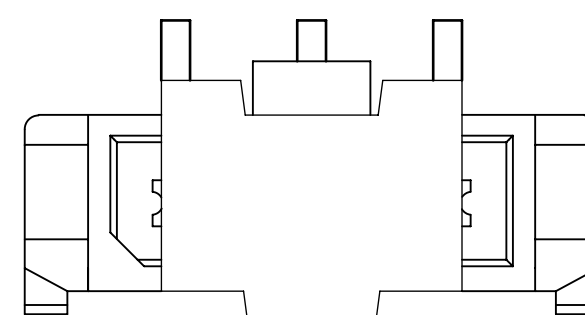


OPTIONAL VOIDED CKT  
SEE CHART FOR LOCATION

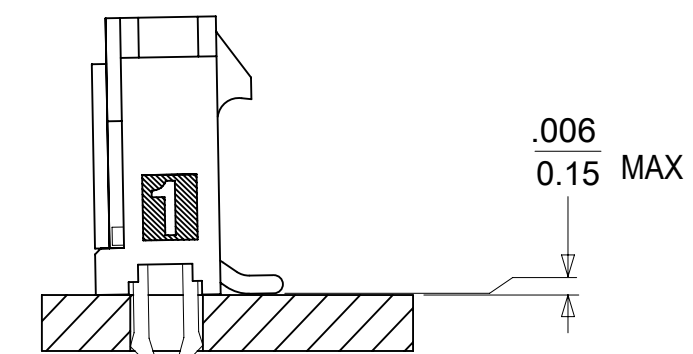
CIRCUIT 1



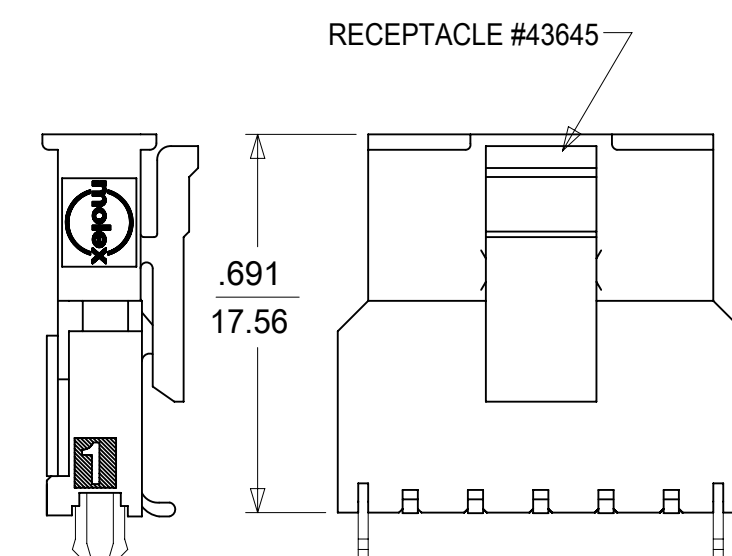
PCB LAYOUT: COMPONENT SIDE  
RECOMMENDED PCB THICKNESS: .062/1.57



SHOWN WITH DISPOSABLE CAP  
(FOR REMOVAL FROM TAPE & REEL PACKAGING)  
SEE NOTE 4



COPLANARITY DETAIL  
SEE NOTE 7



MATED MICRO FIT CONNECTORS

NOTES:

- HOUSING MATERIAL: LIQUID CRYSTAL POLYMER, GLASS FILLED, UL94V-0, COLOR: BLACK  
TERMINAL MATERIAL: BRASS ALLOY
- FINISH: A = .000060/(0.00152) MIN. REFLOWED MATTE TIN OVER  
.000050/(0.00127) MIN. NICKEL PLATE  
(FINISH IS BRIGHT IN APPEARANCE, THICKNESS AS APPLIED  
PRIOR TO REFLOW)  
B = .000015/(0.00038) MIN. SELECT GOLD IN CONTACT AREA  
.000100/(0.00254) MIN. SELECT MATTE TIN ON SOLDER TAILS  
BOTH OVER .000050/(0.00127) NICKEL OVERALL  
C = .000030/(0.00076) MIN. SELECT GOLD IN CONTACT AREA  
.000100/(0.00254) MIN. SELECT MATTE TIN ON SOLDER TAILS  
BOTH OVER .000050/(0.00127) NICKEL OVERALL
- PRODUCT SPECIFICATION: PS-43650
- TAPE & REEL PACKAGED (WITH DISPOSABLE CAP) PER MOLEX DRAWING 436500002-PK
- MATES WITH MICRO FIT (3.0) RECEPTACLE SERIES 43645
- TO MINIMIZE INSERTION FORCE ON MOUNTING CLIPS DURING ROBOTIC PLACEMENT,  
HOLE DIAMETER SPECIFICATIONS MUST BE INCREASED MAKING THEM MORE COMPATIBLE  
WITH PICK AND PLACE EQUIPMENT. HOLE DIAMETERS SHOULD BE INCREASED TO  
APPROXIMATELY .100±.002/(2.54±0.05) AND EVALUATED PER PLACEMENT EQUIPMENT.
- THE COPLANARITY DIMENSION IS ESTABLISHED BY PLACING THE ASSEMBLY ON A  
FLAT SURFACE. THE DISTANCE FROM THAT SURFACE TO THE BOTTOM OF ANY  
TERMINAL MUST NOT EXCEED .006/0.15
- PARTS CONFORM TO CLASS 'B' REQUIREMENTS OF COSMETIC SPECIFICATION  
PS-45499-002
- TEXT ON PART IS FOR REFERENCE ONLY. TEXT AND TEXT LOCATION MAY VARY  
DEPENDING ON PART NUMBER AND/OR TOOL
- FOR BEST RETENTION TO PCB, HOLES FOR CLIPS SHOULD BE PTH AND CLIPS SHOULD BE SOLDERED

CKTS	FINISH A		FINISH B		FINISH C	
	MATERIAL NO:	VOID CKT	MATERIAL NO:	VOID CKT	MATERIAL NO:	VOID CKT
02	43650-0221		43650-0222		43650-0223	
03	43650-0321		43650-0322		43650-0323	
04	43650-0421		43650-0422		43650-0423	
05	43650-0521		43650-0522		43650-0523	
06	43650-0621		43650-0622		43650-0623	
07	43650-0721		43650-0722		43650-0723	
08	43650-0821		43650-0822		43650-0823	
09	43650-0921		43650-0922		43650-0923	
10	43650-1021		43650-1022		43650-1023	
11	43650-1121		43650-1122		43650-1123	
12	43650-1221		43650-1222		43650-1223	

FUNCTIONAL SYMBOLS FA = 0 FC = 0 FP = 0	THIS DRAWING CONTAINS INFORMATION THAT IS PROPRIETARY TO MOLEX ELECTRONIC TECHNOLOGIES, LLC AND SHOULD NOT BE USED WITHOUT WRITTEN PERMISSION		CURRENT REV DESC: ADD NOTE 10	
	DIMENSION UNITS: INCH/MM		SCALE: NTS	
	GENERAL TOLERANCES (UNLESS SPECIFIED)			
	DIVISIONAL SYMBOLS		EC NO: 732331	
4 PLACES ±		DRWN: SETHH6		
3 PLACES ± ± 0.01		2022/12/08		
2 PLACES ± 0.25 ± 0.014		CHK'D: MKIPPER		
1 PLACE ± 0.36 ±		2022/12/13		
0 PLACES ± ±		APPR: FSMITH		
ANGULAR TOL ± 0.5 °		2022/12/21		
DRAFT WHERE APPLICABLE MUST REMAIN WITHIN DIMENSIONS		INITIAL REVISION:		
THIRD ANGLE PROJECTION		DRWN: SAMIEC		
DRAWING: C-SIZE		2000/07/07		
SERIES: 43650		APPR: EDGLEY		
SERIES: 43650		2000/07/07		
MATERIAL NUMBER: SEE CHART		CUSTOMER: GENERAL MARKET		
DOCUMENT NUMBER: SD-43650-008		DOC TYPE: PSD		
DOC PART: 001		REVISION: F4		
SHEET NUMBER: 1 OF 1				