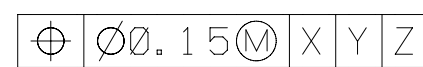
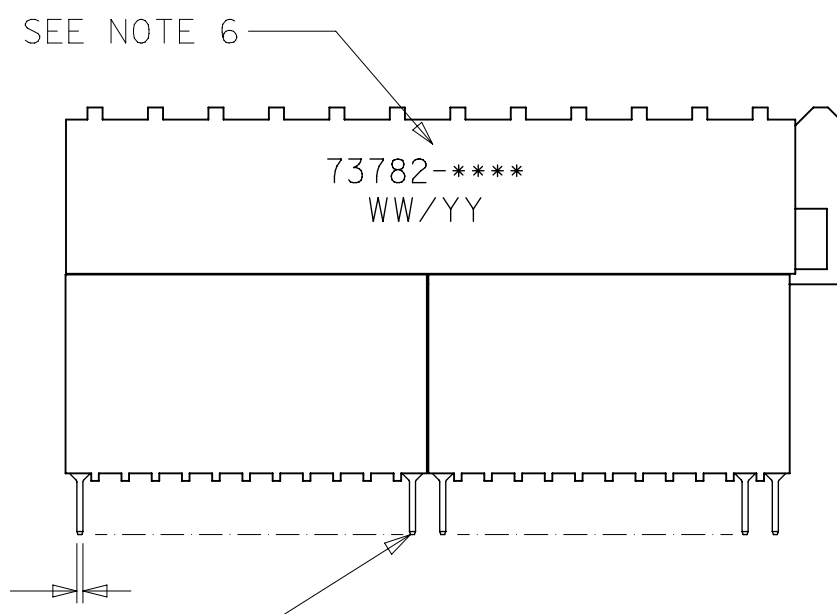
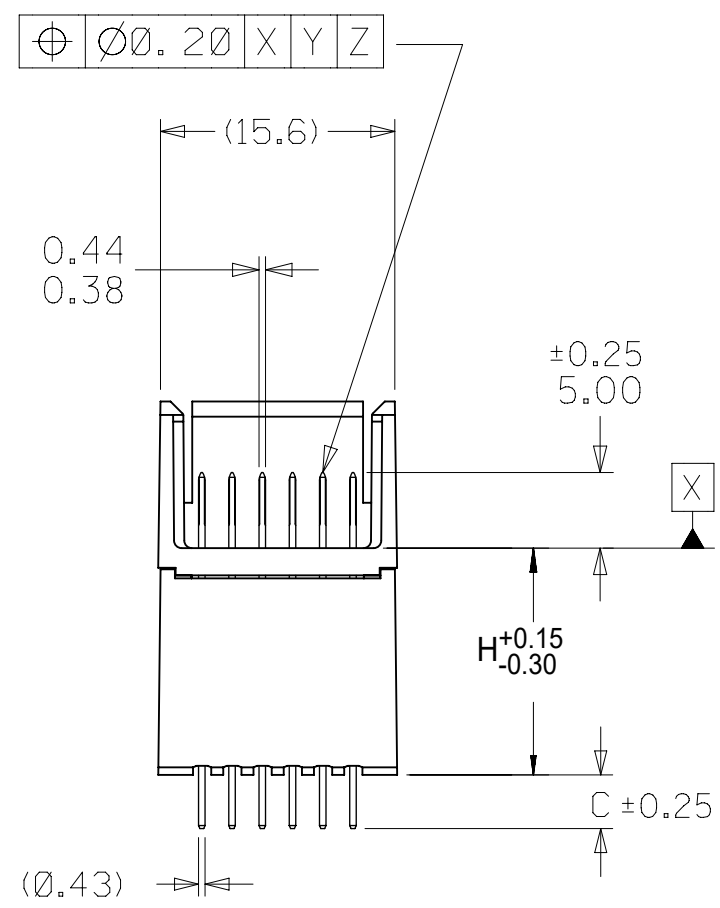
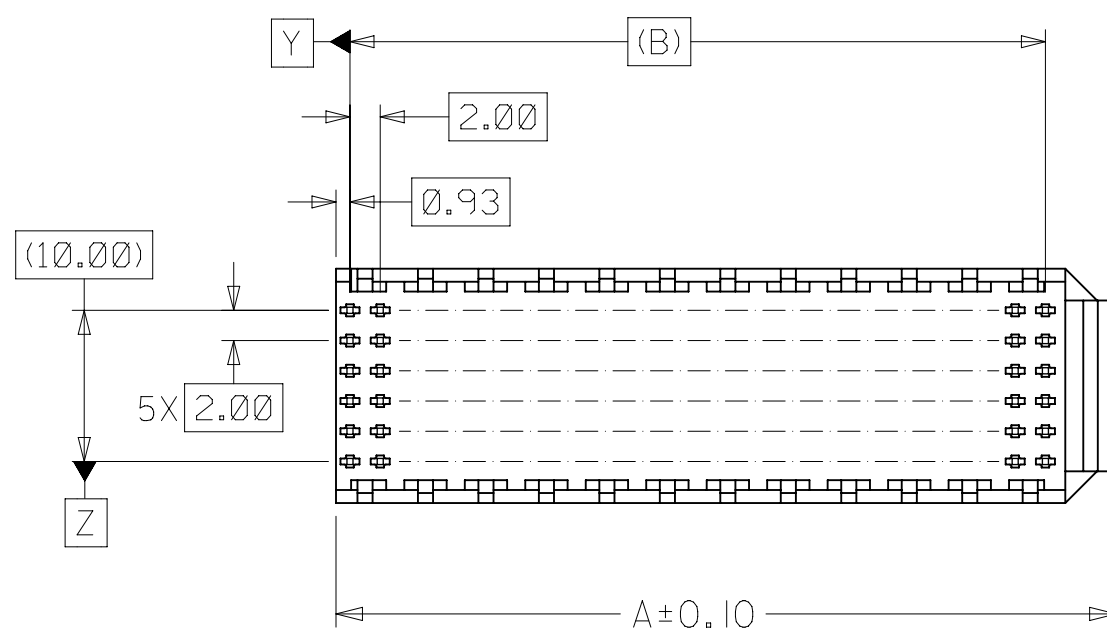
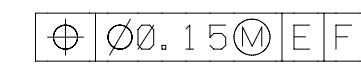


NOTES:

1. MATERIALS: HOUSING-LIQUID CRYSTAL POLYMER (LCP), GLASS-FILLED, UL94V-0, COLOR: BLACK.  
TERMINAL-PHOSPHOR BRONZE
2. FINISH:  
0.75 MICROMETERS MINIMUM SELECTIVE GOLD IN MATING AREA  
2.50 MICROMETERS MINIMUM SELECTIVE TIN IN TAIL AREA  
NICKEL UNDERPLATE OVERALL.
3. THIS PART CONFORMS TO MOLEX PRODUCT SPECIFICATION PS-73780-999.
4. THIS PART CONFORMS TO MOLEX COSMETIC SPECIFICATION PS-45499-002 CLASS C.
5. SEE TABLE ON SHEET 2 FOR PACKAGING SPECIFICATION.
6. PARTS MARKED WITH PART NUMBER AND DATE CODE APPROXIMATELY WHERE SHOWN.



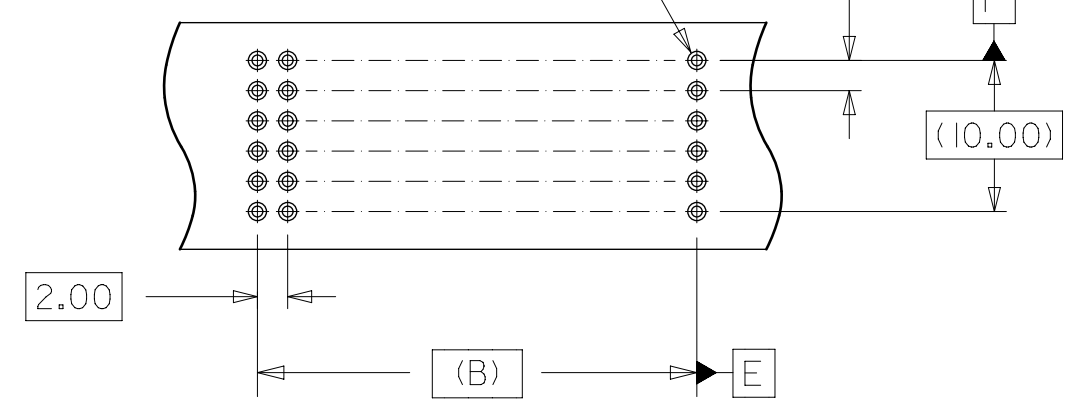
PRE-RELEASE  
REFERENCE  
USE ONLY



Ø 0.838 DRILL

Ø 0.80 PLATED THRU HOLE  
Ø 0.65

Ø 1.20 COPPER PAD



BACKPLANE HOLE PATTERN

THIS DRAWING CONTAINS INFORMATION THAT IS PROPRIETARY TO MOLEX ELECTRONIC TECHNOLOGIES, LLC AND SHOULD NOT BE USED WITHOUT WRITTEN PERMISSION									
DIMENSION UNITS <b>mm</b>		SCALE <b>2:1</b>		CURRENT REV DESC: REMOVED OBSOLETE PART NUMBER AS PER PCN#511698.				<b>molex</b>	
GENERAL TOLERANCES (UNLESS SPECIFIED)				EC NO: 742551		SALES ASSEMBLY, HDM			
4 PLACES ±		±		DRWN: SANTHN		2023/03/30		BACKPLANE STACKING MOD CLOSED END SOLDER	
3 PLACES ±		±		CHK'D: GGA		2023/05/12		PRODUCT CUSTOMER DRAWING	
2 PLACES ±		0.05 ±		APPR: GGA		2023/05/12		DOCUMENT NUMBER	
1 PLACE ±		0.1 ±		INITIAL REVISION:		1997/04/25		SD-73782-001	
0 PLACES ±		±		DRWN: JBINGHAM		1997/04/25		DOC TYPE DOC PART REVISION	
ANGULAR TOL ±		0.5 °		APPR: CBIXLER		1997/04/25		PSD 001 J	
DRAFT WHERE APPLICABLE MUST REMAIN WITHIN DIMENSIONS				THIRD ANGLE PROJECTION		DRAWING		MATERIAL NUMBER	
				C-SIZE		SERIES		CUSTOMER	
				73782		SEE SHEET 2		GENERAL MARKET	
						SHEET NUMBER		1 OF 2	

## MATERIAL NUMBER ASSIGNMENT

73782-\* \* 0 0

NUMBER	CIRCUIT SIZE	DIM "A"	DIM "B"	DIM "C"
0	72	27.6	22.00	2.0
1	144	51.6	46.00	2.0
3	144	51.6	46.00	2.5
4	72	27.6	22.00	3.0
5	144	51.6	46.00	3.0
7	144	51.6	46.00	3.5

NUMBER	DIM "H"	PACKAGING SPECIFICATION
1	15.05	PK-70873-1873
2	6.05	PK-70873-0875
3	10.05	PK-70873-0871

PRE-RELEASE  
REFERENCE  
USE ONLY

THIS DRAWING CONTAINS INFORMATION THAT IS PROPRIETARY TO MOLEX ELECTRONIC TECHNOLOGIES, LLC AND SHOULD NOT BE USED WITHOUT WRITTEN PERMISSION											
DIMENSION UNITS	SCALE	CURRENT REV DESC: REMOVED OBSOLETE PART NUMBER AS PER PCN#511698.				molex					
mm	1:1	EC NO: 742551 DRWN: SANTHN 2023/03/30 CHK'D: GGA 2023/05/12 APPR: GGA 2023/05/12 INITIAL REVISION: DRWN: JBINGHAM 1997/04/25 APPR: CBIXLER 1997/04/25				SALES ASSEMBLY, HDM BACKPLANE STACKING MOD CLOSED END SOLDER					
GENERAL TOLERANCES (UNLESS SPECIFIED)						PRODUCT CUSTOMER DRAWING					
4 PLACES	±					MM	INCH	DOCUMENT NUMBER: <b>SD-73782-001</b> DOC TYPE: PSD    DOC PART: 001    REVISION: J			
3 PLACES	±					0.05	±				
2 PLACES	±					0.1	±				
1 PLACE	±	0.5	°								
0 PLACES	±	ANGULAR TOL ± 0.5 °		DRAFT WHERE APPLICABLE MUST REMAIN WITHIN DIMENSIONS		THIRD ANGLE PROJECTION		DRAWING	SERIES		
				C-SIZE	73782	MATERIAL NUMBER	CUSTOMER	SHEET NUMBER			
				SEE SHEET 2	GENERAL MARKET	2 OF 2					