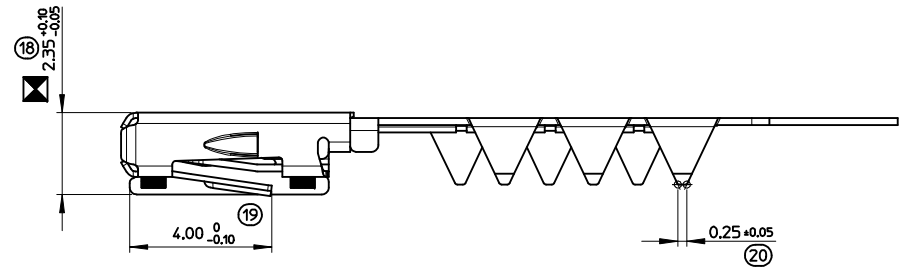
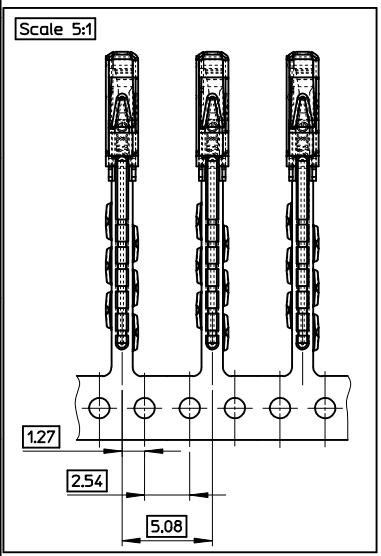
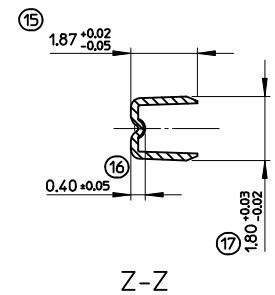
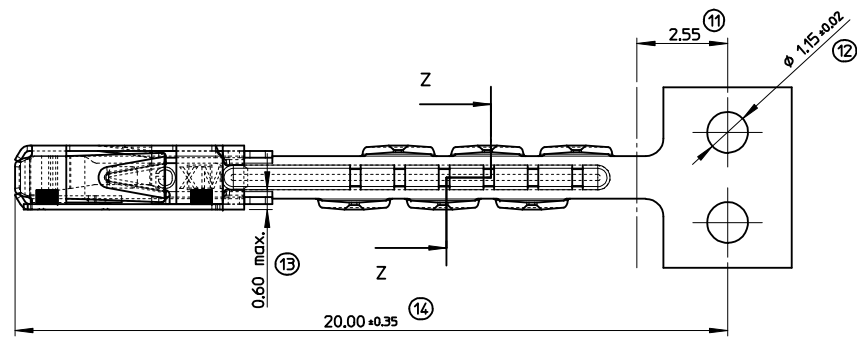


	MOLEX REFERENCE	GAP AREA	CRIMPING AREA
TIN PLATED VERSION	98194-1211	HOT TIN DIP Sn = 1.0 to 3.0 microns	
GOLD PLATED VERSION	98194-1221	Au = 0.3 microns mini Ni = 1.0 microns mini	Sn = 1.0 to 5 microns mini Ni = 1.0 microns mini



	INDICATION DIMENSIONS S.P.C. DENOTES S.P.C. DIMENSIONS
	INDICATION DIMENSIONS CRITIQUES DENOTES CRITICAL DIMENSIONS
	INDICATION DIMENSIONS FONCTIONNELLES DENOTES FUNCTIONAL DIMENSIONS
QUANTITE PAR FEUILLE INDIVIDUELLE QUANTITY PER INDIVIDUAL SHEET	
	- 1
	- 4
	- 0

2	F
1	F
SHT REV	

CHANGED TOL. ON POS. 16
EC NO: G2018-0009
DRWN: GRANDCL 2017/08/11
CHKD: DUCLOS 2017/08/11
APPR: OPLESSIS 2017/08/30
REV

GENERAL TOLERANCES (UNLESS SPECIFIED)	
	mm INCH
4 PLACES	± --- ± ---
3 PLACES	± --- ± ---
2 PLACES	± 0.05 ± ---
1 PLACE	± 0.10 ± ---
ANGULAR ± 1/2°	
DRAFT WHERE APPLICABLE	
MUST REMAIN WITHIN DIMENSIONS	

SCALE 10:1	DESIGN UNITS METRIC	FIRST ANGLE PROJECTION	REVISE ON CAD ONLY
DIMENSION STYLE MM ONLY		TITLE MOX 0.635 TERMINAL FFC/FPC CRIMP VERSION	
DRAWN BY LSTICKEI	DATE 2000/04/17	MATERIAL NO. SEE CHART	
CHECKED BY MANDRE	DATE 2000/05/29		
APPROVED BY WMORITZ	DATE 2000/05/30	DOCUMENT NO. SD-98194-002	SHEET NO. 1 OF 2
THIS DRAWING CONTAINS INFORMATION THAT IS PROPRIETARY TO MOLEX INCORPORATED AND SHOULD NOT BE USED WITHOUT WRITTEN PERMISSION			

1

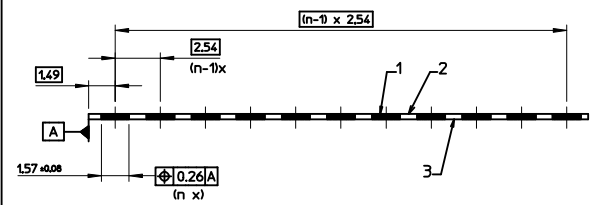
SERTISSAGE CRIMPING

	FFC / FLAT FLEX CABLE FPC / FLEX PRINTED CIRCUIT					CONTACT / TERMINAL REFERENCES PART #		PARAMETRES DE SERTISSAGE CRIMPING PARAMETERS		
	Largeur Conductor Conductor Width	Epaisseur Conductor Conductor Thickness	Epaisseur Film Polyester Polyester Film Thickness	Epaisseur Couche Adhésive Adhesive Layer Thickness	Epaisseur Cable Cable Thickness	MOLEX		SERTISSAGE CUIVRE WIRE BARREL		
						VERSION ETAMEE TIN PLATED VERSION	VERSION DOREE GOLD PLATED VERSION	HAUTEUR HEIGHT C (mm)	LARGEUR WIDTH G (mm)	TRACTION MIN SUR 2 CONTACTS MIN TENSILE FORCE ON 2 CRIMPED TERMINALS - (FOR INFORMATION NEUTRON)
FFC	157 ±0.076	0,063-0,115 mm	0,050 mm MAX (x2) (*)	0,050 mm MAX (x2) (*)	0,33 MAX.	98194-1211	98194-1221	0,93 ±0,03	1,85 MAX	> 50N
FPC	157 ±0,070	0,070 ±0,013 mm	0,050 mm MAX (x1) (*)	0,020 mm MAX (x1) (*)	0,33 MAX.	98194-1211	98194-1221	0,91 ±0,03	1,85 MAX	> 50N

- (*)
- (x2) means that the copper conductor is laminated between a top and bottom insulation.
 - (x1) means that the copper conductor is stripped (without any insulation or coverlay) on one side only.
 - (x2) signifie que le conducteur cuivre est pris en sandwich entre une isolation supérieure et inférieure.
 - (x1) signifie que le conducteur cuivre est dénudé sur une face uniquement (sans isolation ou film de protection)

2

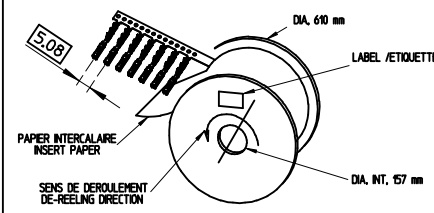
TOLERANCE DE POSITIONNEMENT POSITIONING TOLERANCE



- 1 : Bare copper conductor / Conducteur cuivre
 2 : Polyester film with modified polyester adhesive / Film Polyester avec couche adhésive.
 3 : Polyester film with modified polyester adhesive / Film Polyester avec couche adhésive.

4

CONDITIONNEMENT PACKAGING

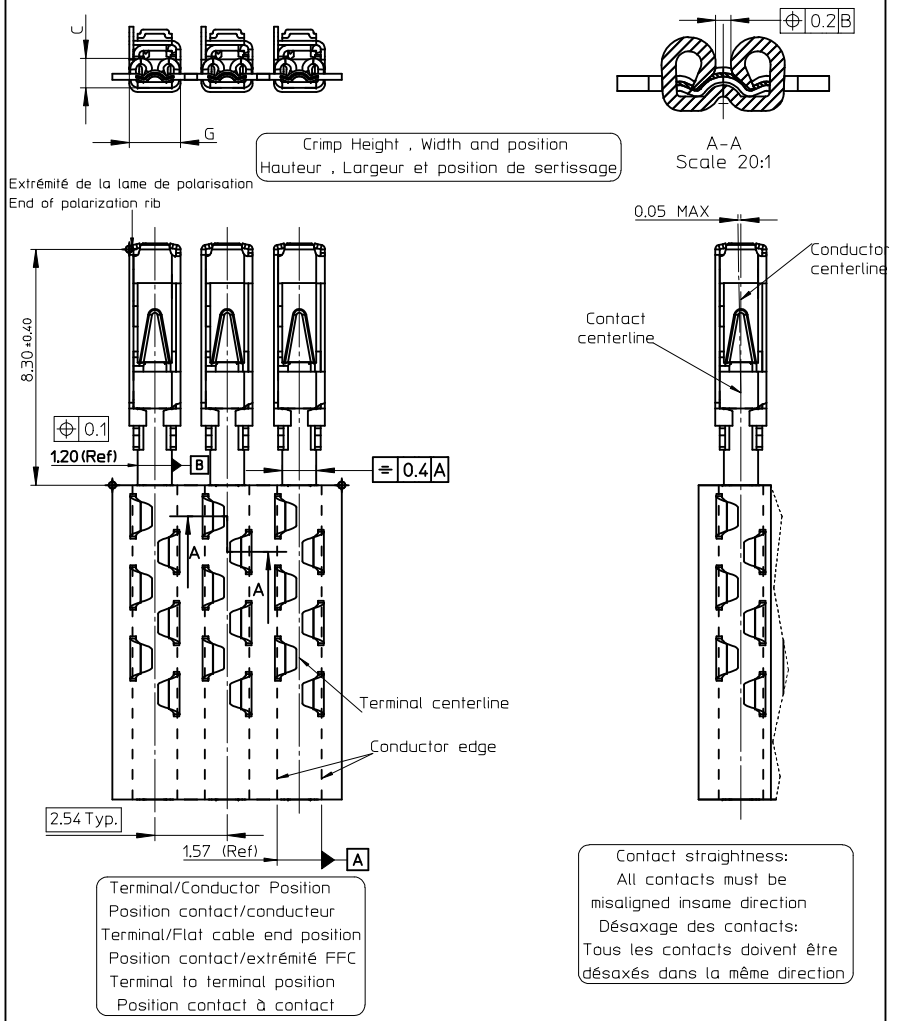


QUANTITE PAR BOBINE: 15 000 pieces
 3 CARTONS MAXI PAR PALETTE 620x640
 MANIPULATION ET STOCKAGE A L'HORIZONTALE
 NE PAS SUPERPOSER PLUS DE 3 CARTONS
 SPECIFICATION DE CONDITIONNEMENT : PP-98194-001

QUANTITY PER REEL: 15 000 parts
 3 CARDBOARD BOXES MAXI PER PALETTE 620x640
 HORIZONTAL MANIPULATION AND STOCKAGE
 DO NOT PILE UP MORE THAN 3 CARDBOARD BOXES
 PACKAGING SPECIFICATION : PP-98194-001

3

INSPECTION DU CONTACT FLEX FLEX TERMINAL INSPECTION



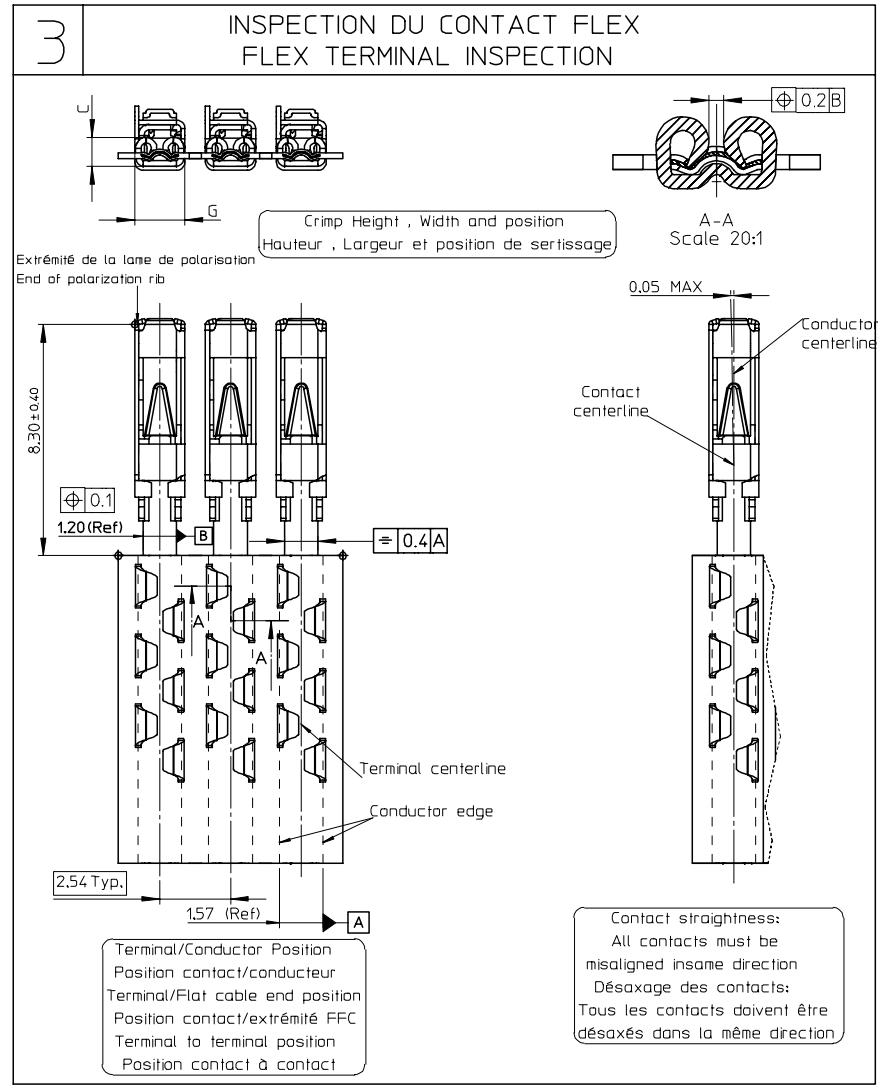
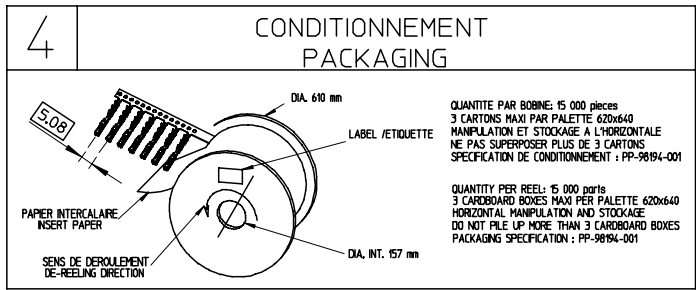
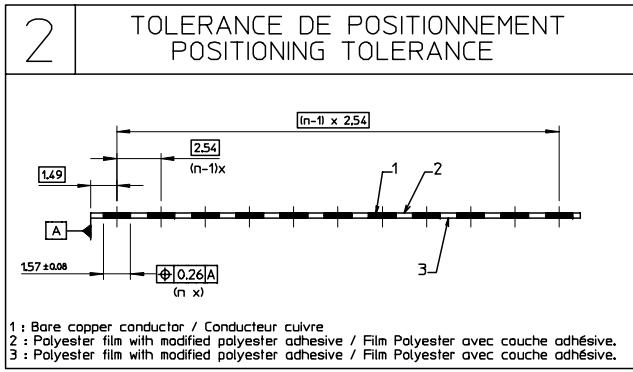
- Terminal/Conductor Position
 Position contact/conducteur
 Terminal/Flat cable end position
 Position contact/extrémité FFC
 Terminal to terminal position
 Position contact à contact

Contact straightness:
 All contacts must be
 misaligned insame direction
 Désaxage des contacts:
 Tous les contacts doivent être
 désaxés dans la même direction

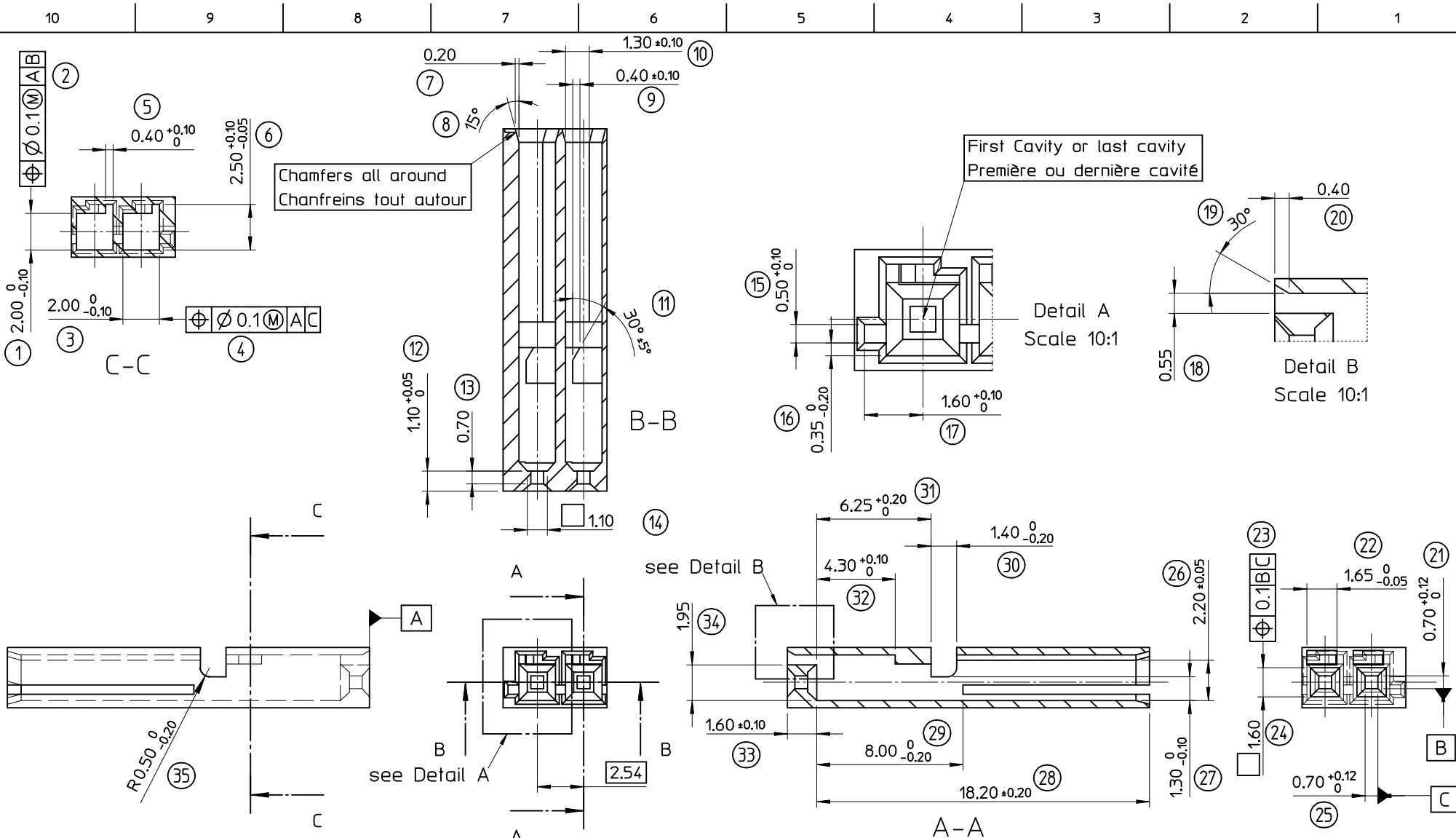
SEE SHEET 1-0009	EC NO: G2018-0009 DRAWING/GRAPHIC CLASS: 2017/05/30 CHKD: JOLICHS APPR: OPLESSIS 2017/08/30	GENERAL TOLERANCES (UNLESS SPECIFIED)		DIMENSION STYLE MM ONLY	SCALE 10:1	DESIGN UNITS METRIC	FIRST ANGLE PROJECTION
		4 PLACES ± --- ± ---	3 PLACES ± --- ± ---	2 PLACES ± 0.05 ± ---	1 PLACE ± 0.10 ± ---	0 PLACE ± ±	ANGULAR ±1/2°
DRAWN BY LSTICKEI DATE 2000/04/17				TITLE MOX 0,635 TERMINAL FFC/FPC CRIMP VERSION			
CHECKED BY MANDRE DATE 2000/05/29				APPROVED BY WMORITZ DATE 2000/05/30			
MATERIAL NO.				DOCUMENT NO.			
SEE SHT 1				SD-98194-002			
SIZE A2				SHEET NO. 2 OF 2			
THIS DRAWING CONTAINS INFORMATION THAT IS PROPRIETARY TO MOLEX INCORPORATED AND SHOULD NOT BE USED WITHOUT WRITTEN PERMISSION							

1	SERTISSAGE CRIMPING									
	FFC / FLAT FLEX CABLE FPC / FLEX PRINTED CIRCUIT					CONTACT / TERMINAL REFERENCES PART #	PARAMETRES DE SERTISSAGE CRIMPING PARAMETERS			
						MOLEX	SERTISSAGE CUIVRE WIRE BARREL			
	Largeur Conducteur Conductor Width	Epaisseur Conducteur Conductor Thickness	Epaisseur Film Polyester Polyester Film Thickness	Epaisseur Couche Adhésive Adhesive Layer Thickness	Epaisseur Cable Cable Thickness	VERSION ETANEE TIN PLATED VERSION	VERSION DOREE GOLD PLATED VERSION	HAUTEUR HEIGHT C (mm)	LARGEUR WIDTH G (mm)	TRACTION MIN SUR 2 CONTACTS STRESS POUR INFORMATION MINIMUMS FOR INFORMATION (NEWTON)
FFC	157 ±0.076	0.063-0.115 mm	0.050 mm MAX (x2) (w)	0.050 mm MAX (x2) (w)	0.33 MAX.	98194-1211	98194-1221	0.93 ±0.03	1.85 MAX	> 50N
FPC	157 ±0.070	0.070 ±0.013 mm	0.050 mm MAX (x1) (x)	0.020 mm MAX (x1) (w)	0.33 MAX.	98194-1211	98194-1221	0.91 ±0.03	1.85 MAX	> 50N

- (x)
- (x2) means that the copper conductor is laminated between a top and bottom insulation.
 - (x1) means that the copper conductor is stripped (without any insulation or coverlay) on one side only.
 - (x2) signifie que le conducteur cuivre est pris en sandwich entre une isolation supérieure et inférieure.
 - (x1) signifie que le conducteur cuivre est dénudé sur une face uniquement (sans isolation ou film de protection)



REV. UPDATE FOLL. SH. 1 REV.	EC NO: GZ007-0149	SCALE 10:1	DESIGN UNITS METRIC	FIRST ANGLE PROJECTION	REVISE ON CAD ONLY
DRWN: PGRANDCL 2006/11/23	CHKD: MANDRE 2006/11/28	GENERAL TOLERANCES (UNLESS SPECIFIED)	MM ONLY	TITLE	
APPR: LSTICKEIR 2006/11/28	DESCRIPTION	4 PLACES ± --- ± ---	INCH	MOX 0.635 TERMINAL FFC/FPC CRIMP VERSION	
		3 PLACES ± --- ± ---		MOLEX INCORPORATED	
		2 PLACES ± 0.05 ± ---		MATERIAL NO. SEE SHT 1	DOCUMENT NO. SD-98194-002
		1 PLACE ± 0.10 ± ---		SHEET NO. 2 OF 2	
		ANGULAR ± 5°		THIS DRAWING CONTAINS INFORMATION THAT IS PROPRIETARY TO MOLEX INCORPORATED AND SHOULD NOT BE USED WITHOUT WRITTEN PERMISSION	
		DRAFT WHERE APPLICABLE		A2	
		MUST REMAIN WITHIN DIMENSIONS			



NOTES:

- Dimensions 12, 13 and 33 have to be adjusted following the connector design and the requested contact overlapping.
- Les dimensions 12,13 et 33 doivent être modifiées suivant la définition de connecteur et la sécurité de contact exigée.

EC NO: G2002-0035 DRWN: LSTICKEI 2001/08/17 CHKD: MAN 2001/08/20 APPR: WINORITZ 2001/08/23	QUALITY SYMBOLS	GENERAL TOLERANCES (UNLESS SPECIFIED)	SCALE 5:1	DESIGN UNITS METRIC	FIRST ANGLE PROJECTION	REVISE ON CAD ONLY
	▲ +0 ▽ -0	mm	INCH	DIMENSION STYLE		STANDARD CAVITY MOX0.63 FLEX TERMINAL TERMINAL FRONT RELEASE
		4 PLACES ± --- ± ---	3 PLACES ± --- ± ---	2 PLACES ± 0.05 ± ---	1 PLACE ± 0.10 ± ---	
	A	DESCRIPTION	ANGULAR ± 1/2°	DRAWN BY LST	DATE 2001/08/06	MOLEX MOLEX INCORPORATED
REV		DRAFT WHERE APPLICABLE	CHECKED BY MAN	DATE	MATERIAL NO. N/A	DOCUMENT NO. SD-98194-005
		MUST REMAIN WITHIN DIMENSIONS	APPROVED BY WMO	DATE	SHEET NO. 1 OF 1	
			THIS DRAWING CONTAINS INFORMATION THAT IS PROPRIETARY TO MOLEX INCORPORATED AND SHOULD NOT BE USED WITHOUT WRITTEN PERMISSION			