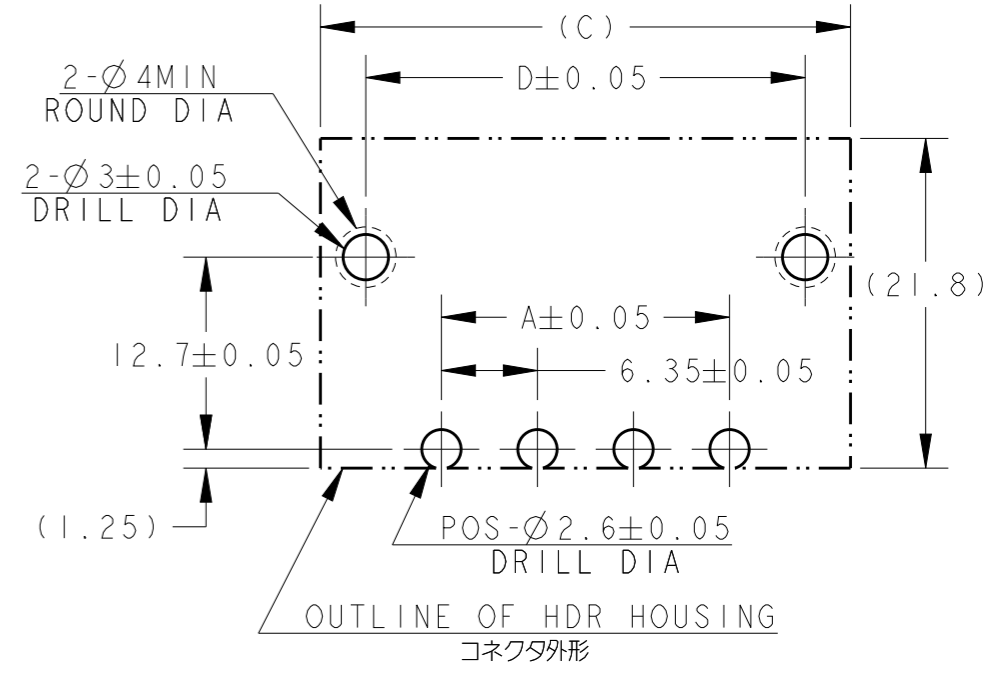
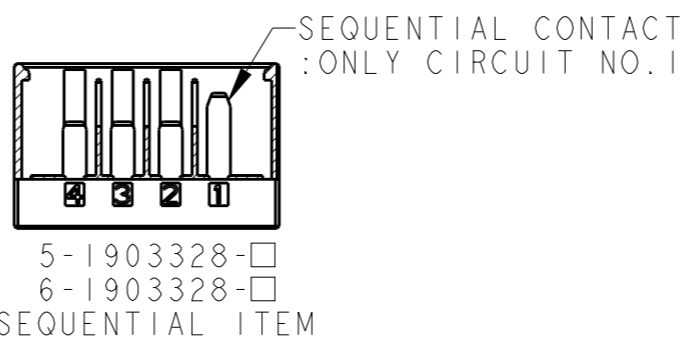
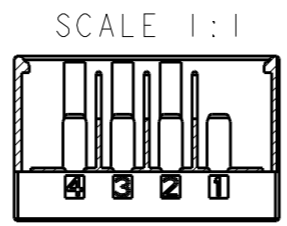
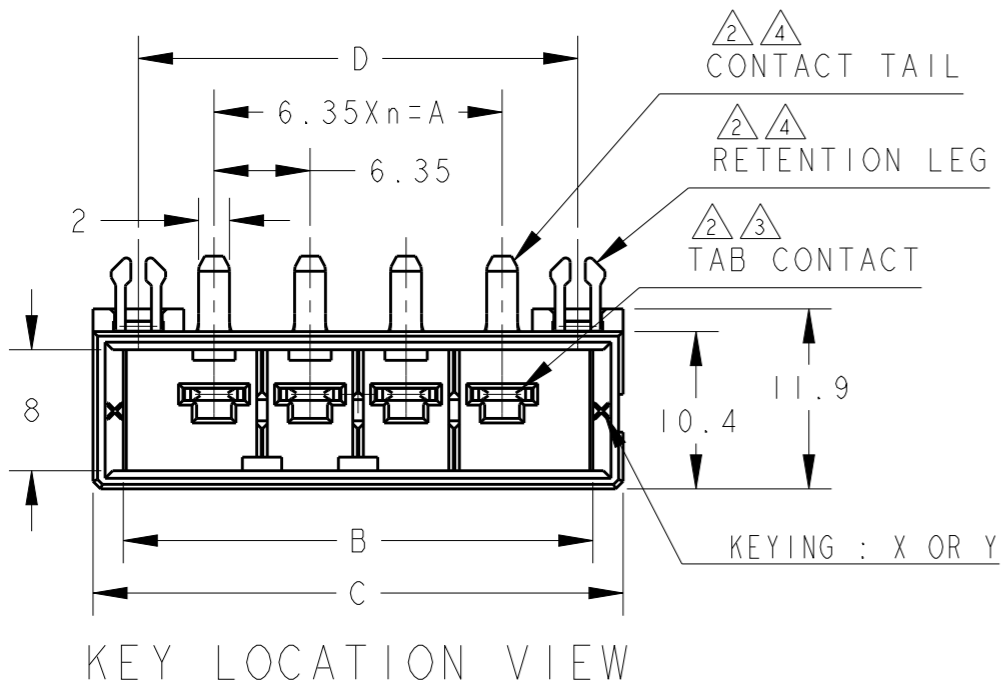
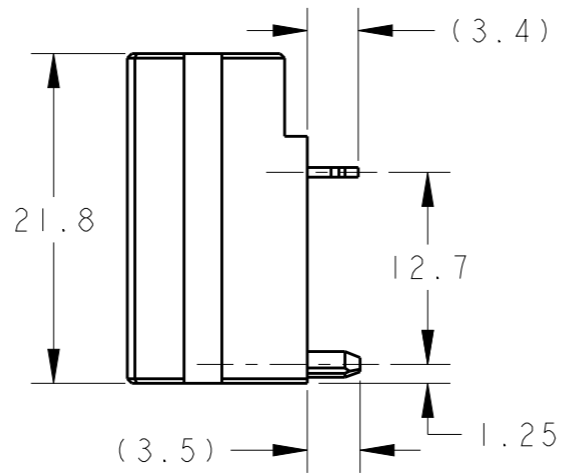
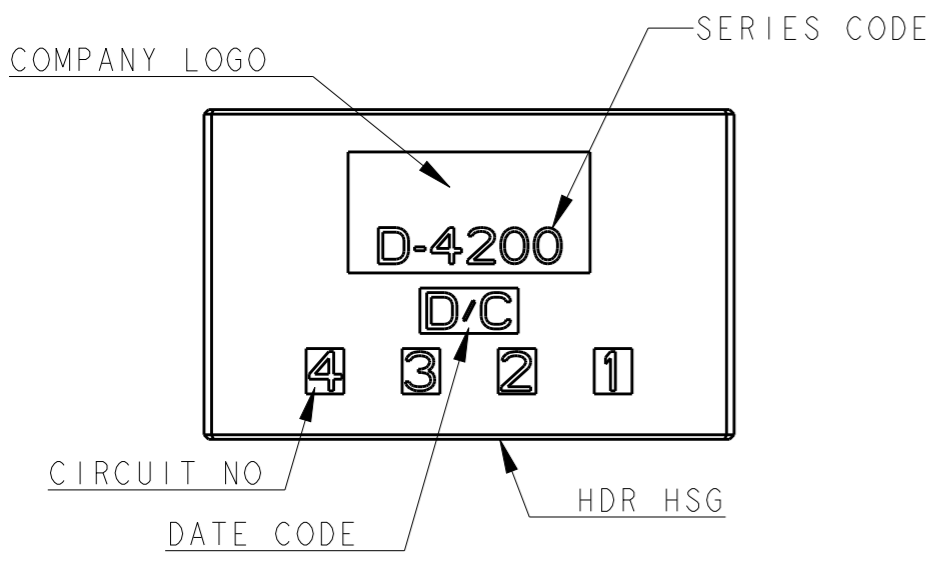


REVISIONS					
P	LTR	DESCRIPTION	DATE	DWN	APVD
	C	REVISED PER ECR-19-011328	18JUL2019	K.T	E.1



RECOMMEND PC BOARD HOLE PATTERN : CONNECTOR MOUNT SIDE (NOT ACCUMULATE TOLERANCE)  
PC BOARD THICKNESS : 1.6~2.4±0.1  
推奨基板取付寸法 : コネクタ搭載面 (非累積公差)  
PC基板厚 : 1.6~2.4±0.1



AS SHOWN : 1-1903328-4 (4POS : X-KEY)

POS	n	A	B	C	D	KEY LOCATION	KEY	PART NUMBER
4	3	19.05	31.05	35.05	29.05		Y	2-1903328-4 6-1903328-4
4	3	19.05	31.05	35.05	29.05		X	1-1903328-4 5-1903328-4
3	2	12.70	24.70	28.70	22.70		Y	2-1903328-3 6-1903328-3
3	2	12.70	24.70	28.70	22.70		X	1-1903328-3 5-1903328-3
2	1	6.35	18.35	22.35	16.35		Y	2-1903328-2
2	1	6.35	18.35	22.35	16.35		X	1-1903328-2

1. MATERIAL : HOUSING : GLASS FILLED THERMO PLASTIC  
POLYESTER (94V-0), COLOR : BLACK  
CONTACT : COPPER ALLOY  
RETENTION LEG : COPPER ALLOY

- △2. FINISH (ALL OVER) : NICKEL PL. 1.3μmMIN
- △3. FINISH (CONTACT AREA) : GOLD PL. 0.38μmMIN AFTER △2
- △4. FINISH (CONTACT TAIL & RETENTION LEG) : TIN PL. 2μmMIN AFTER △2

THIS DRAWING IS A CONTROLLED DOCUMENT.

DIMENSIONS: 単位: 概 mm	TOLERANCES UNLESS OTHERWISE SPECIFIED: 一般公差 ±0.3, ±3° 0 PLC ± 1 PLC ±0.1 2 PLC ±0.01 3 PLC ±0.001 4 PLC ±0.0001 ANGLES ±
MATERIAL 材料	FINISH 仕上
material_2	finish_spec_2

DWN M. MAEBASHI	23MAR2007
CHK T. KUDO	23MAR2007
APVD D. MITSUGI	23MAR2007
PRODUCT SPEC 製品規格	108-78182
APPLICATION SPEC 取付適用規格	114-5369
WEIGHT	-

**STE** TE Connectivity

NAME 名称: DYNAMIC D4200S 6.35mm PITCH  
HDR ASSY (H-TYPE)  
2-4POS

SIZE: A3 CAGE CODE: 00779 DRAWING NO: 1903328

CUSTOMER DRAWING SCALE 2:1 SHEET 1 OF 1 REV C