

4 3 2 1

© 1996 TE Connectivity. All Rights Reserved.

REVISIONS					
P	LTR	DESCRIPTION	DATE	DWN	APVD
B3		ECN-21-124193:OBSOLETE 5353186-8	08NOV2021	A.L	H.L
B2		REVISED PER ECO-16-014594	10OCT2016	B.J	S.Y

SEE DETAIL F

WEEDING THE COVER TAPE AROUND THE OUTER PERIPHERY IN A TURN.

SEALANT	TOOLING STATUS	QTY.	W	E	D	C	B	A	POS.	PART NO.
NOT AVAILABLE		800	49.5	24.7	25	44	40.4	20.2	60	7-5353186-4
NOT AVAILABLE			77.5	54.7	55	72	68.4	34.2	160	6-5353186-1
AVAILABLE			77.5	48.7	49	72	68.4	34.2	140	6-
NOT AVAILABLE			61.5	42.7	43	56	52.4	26.2	120	5-
NOT AVAILABLE			61.5	36.7	37	56	52.4	26.2	100	5-
NOT AVAILABLE			61.5	33.7	34	56	52.4	26.2	90	5-
AVAILABLE			49.5	30.7	31	44	40.4	20.2	80	5-
NOT AVAILABLE			49.5	27.7	28	44	40.4	20.2	70	5-
NOT AVAILABLE			49.5	24.7	25	44	40.4	20.2	60	5-
NOT AVAILABLE			37.5	21.7	22	32	28.4	14.2	50	5-
AVAILABLE			37.5	18.7	19	32	28.4	14.2	40	5-
NOT AVAILABLE		800	29.5	15.7	16	24	11.5	30		5-5353186-1
AVAILABLE		800	49.5	24.7	25	44	40.4	20.2	60	2-5353186-4
AVAILABLE			77.5	54.7	55	72	68.4	34.2	160	1-5353186-1
AVAILABLE			77.5	48.7	49	72	68.4	34.2	140	1-
NOT AVAILABLE			61.5	42.7	43	56	52.4	26.2	120	
AVAILABLE			61.5	36.7	37	56	52.4	26.2	100	
NOT AVAILABLE		800	61.5	33.7	34	56	52.4	26.2	90	
NOT AVAILABLE			49.5	27.7	28	44	40.4	20.2	70	
NOT AVAILABLE			49.5	24.7	25	44	40.4	20.2	60	
NOT AVAILABLE			37.5	21.7	22	32	28.4	14.2	50	
NOT AVAILABLE			37.5	18.7	19	32	28.4	14.2	40	
NOT AVAILABLE		800	29.5	15.7	16	24	11.5	30		5353186-1

4 THIS PRODUCT WAS COATED BY FLUX-PENETRATION -INHIDTING AGENT.

5 HOUSING COLOR : NATURAL

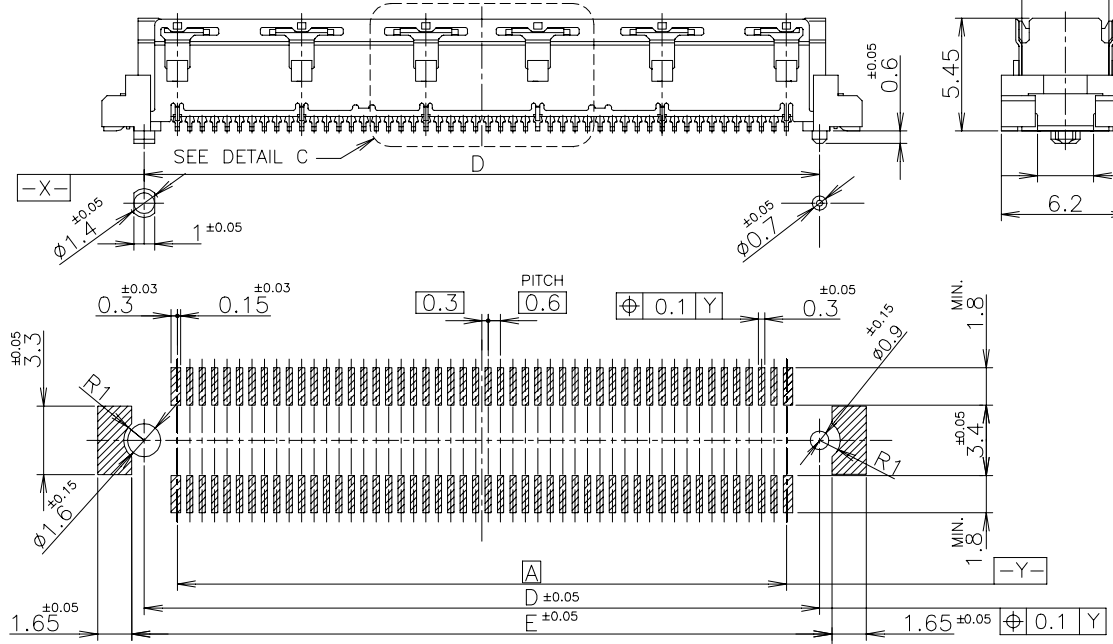
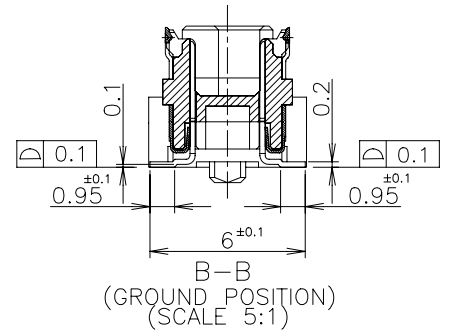
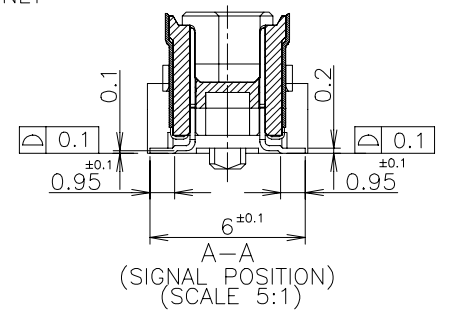
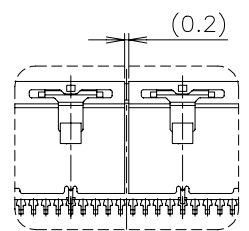
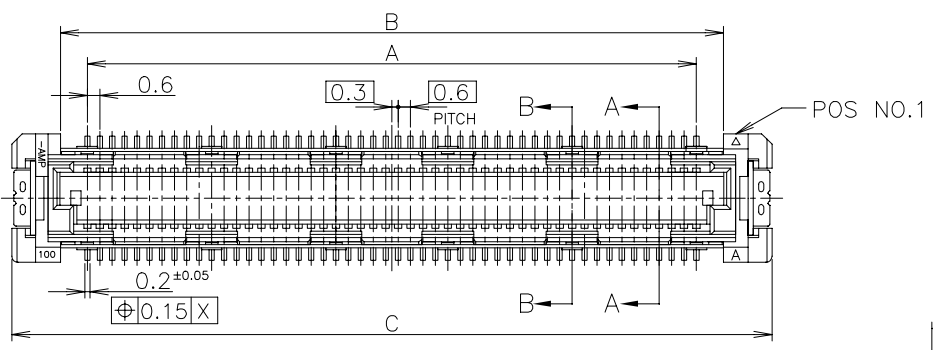
6 HOUSING COLOR : BLACK

THIS DRAWING IS A CONTROLLED DOCUMENT.

DIMENSIONS: 單位: 耗 mm	TOLERANCES UNLESS OTHERWISE SPECIFIED: 一般公差	DWN HAWKING HE 20DEC04	TE Connectivity Ltd.
		CHK STEVEN YAO 20DEC04	
		APVD I.ENOMOTO 20DEC04	NAME 名稱
		PRODUCT SPEC 108-60047	EMBOSS ASSY
		APPLICATION SPEC 取付適用規格 114-5255	FH 0.6BTB CONNECTOR PLUG 6H WITH G-PLATE
MATERIAL 材料	FINISH 仕上	WEIGHT	SIZE A3
			CAGE CODE 00779
			DRAWING NO C=5353186
			RESTRICTED TO
			SCALE 尺度 1:1
			SHEET 1 OF 3
			REV B3

CUSTOMER DRAWING

REVISIONS						
変更						
P	LTR	DESCRIPTION	DATE	DWN	APVD	
-	-	SEE SHEET 1	-	-	-	-



REFERENCE P.C.BOARD LAYOUT

AVAILABLE	21.8	20.6	24.7	20	17.4	60
AVAILABLE	51.8	50.6	54.7	50	47.4	160
AVAILABLE	45.8	44.6	48.7	44	41.4	140
NOT AVAILABLE	39.8	38.6	42.7	38	35.4	120
AVAILABLE	33.8	32.6	36.7	32	29.4	100
NOT AVAILABLE	30.8	29.6	33.7	29	26.4	90
AVAILABLE	27.8	26.6	30.7	26	23.4	80
NOT AVAILABLE	24.8	23.6	27.7	23	20.4	70
AVAILABLE	21.8	20.6	24.7	20	17.4	60
NOT AVAILABLE	19.8	17.6	21.7	17	14.4	50
AVAILABLE	15.8	14.6	18.7	14	11.4	40
NOT AVAILABLE	12.8	11.6	15.7	11	8.4	30
TOOLING STATUS	E	D	C	B	A	POS

GENERAL TOLERANCE
一般公差

10 ≥ ±0.2
30 ≥ >10: ±0.25
100 ≥ >30: ±0.3
ANGLES: ±3°

THIS DRAWING IS A CONTROLLED DOCUMENT.

DIMENSIONS: 单位: 耗 mm	TOLERANCES UNLESS OTHERWISE SPECIFIED: 一般公差	DWN	TE Connectivity Ltd.
0 PLC ±	1 PLC ±	CHK	
2 PLC ±	3 PLC ±	APVD	
4 PLC ±	ANGLES ±	PRODUCT SPEC 製品規格	
MATERIAL 材料	FINISH 仕上	WEIGHT	NAME 名称
CUSTOMER DRAWING			EMBOSS ASSY FH 0.6BTB CONNECTOR PLUG 6H WITH G-PLATE
SCALE 尺度 4:1		SHEET 2 OF 3	RESTRICTED TO

SIZE: A3 CAGE CODE: 00779 DRAWING NO: 5353186

4

3

2

1

© 1996 TE Connectivity. All Rights Reserved.

REVISIONS

P	LTR	DESCRIPTION	DATE	DWN	APVD
-		SEE SHEET 1	-	-	-

① MATERIAL ; HOUSING : HIGH TEMP THERMO PLASTIC
UL94V-0
CONTACT : COPPER ALLOY

② FINISH ; UNDER PL Ni 0.0013mm MIN ALL OVER.
CONTACT AREA 0.0002 MIN Au PL.
SOLDERING AREA 0.001 MIN TIN PL.

③ █ THIS POSITION IS GROUND CIRCUIT.

THIS DRAWING IS A CONTROLLED DOCUMENT.

DIMENSIONS:
單位: 耗
mmTOLERANCES UNLESS
OTHERWISE SPECIFIED:
一般公差

0 PLC	± -
1 PLC	± -
2 PLC	± -
3 PLC	± -
4 PLC	± -
ANGLES	± -

MATERIAL
材料FINISH
仕上GENERAL TOLERANCE
一般公差

10 ≥ : ±0.2
30 ≥ >10 : ±0.25
100 ≥ >30 : ±0.3
ANGLES : ±3°

①

②

DWN

CHK

APVD

PRODUCT SPEC

APPLICATION SPEC

WEIGHT

CUSTOMER DRAWING

TE Connectivity Ltd.

NAME
名称

EMBOSS ASSY

FH 0.6BTB CONNECTOR

PLUG 6H WITH G-PLATE

SIZE

CAGE CODE

DRAWING NO

A3

00779

G=5353186

RESTRICTED TO

SCALE
尺度 3:1

SHEET

3 OF 3

REV
B3

1470-19 (1/15)