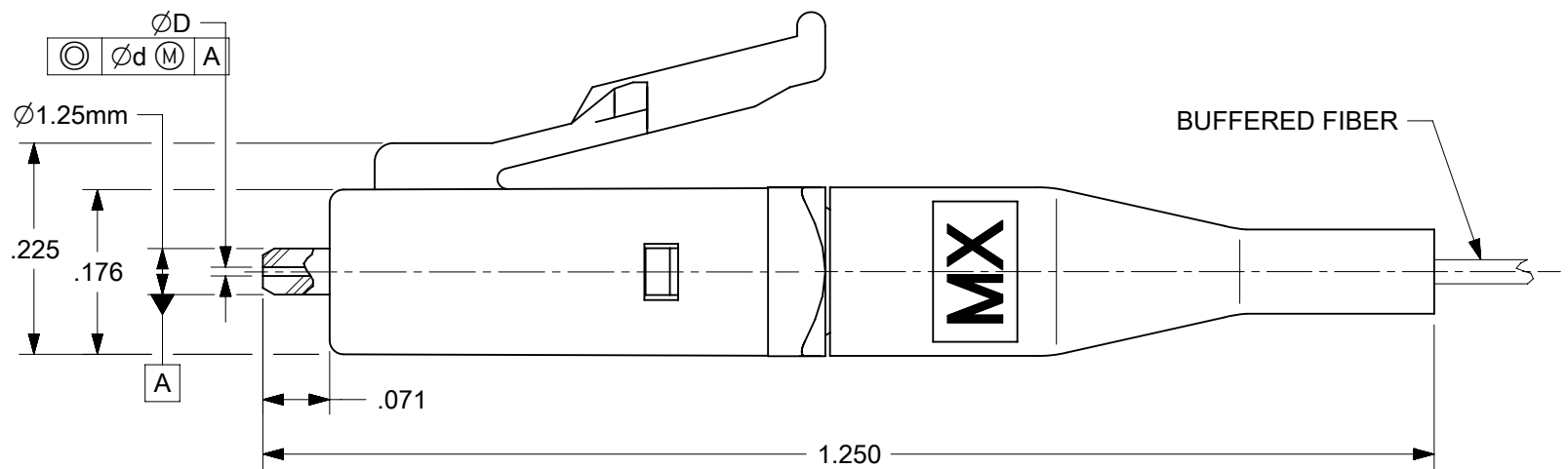
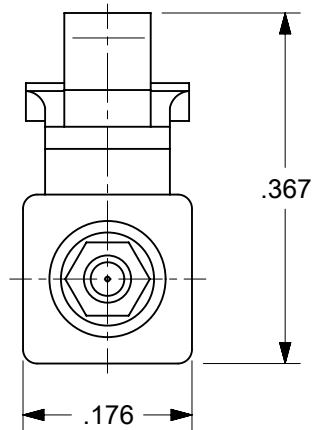


| CONNECTOR P/N | øD (µm)                              | ød (µm) | HOUSING COLOR | BOOT COLOR | CABLE TYPE  |
|---------------|--------------------------------------|---------|---------------|------------|-------------|
| 106024-2500   | 125.50 <sup>+1.0</sup> <sub>0</sub>  | 1.0     | BLUE          | WHITE      | SINGLE MODE |
| 106024-3550*  | 127.00 <sup>+3.00</sup> <sub>0</sub> | 3.0     | BEIGE         |            | MULTIMODE   |
| 106024-3500   |                                      |         |               |            |             |
| 106024-4500   | 125.00 <sup>+0.50</sup> <sub>0</sub> | 1.0     | BLUE          | WHITE      | SINGLE MODE |
| 106024-5500   | 126.00 <sup>+1.00</sup> <sub>0</sub> |         |               |            |             |
| 106024-5540*  |                                      |         |               |            |             |
| 106024-6500   | 125.25 <sup>+0.50</sup> <sub>0</sub> | 0.5     | BLUE          | WHITE      | SINGLE MODE |
| 106090-2700   | 125.50 <sup>+0.50</sup> <sub>0</sub> |         |               |            |             |
| 106090-4500   | 125.00 <sup>+0.50</sup> <sub>0</sub> |         |               |            |             |
| 106090-6500   | 125.25 <sup>+0.50</sup> <sub>0</sub> |         |               |            |             |
| 106090-4510   | 125.2-125.5                          |         |               |            |             |
| 106090-4520   | 125.51-125.9                         |         |               |            |             |
| 106099-0500   | 81.0±0.5                             | 1.4     |               |            |             |
| 106024-5530   | 126.00 <sup>+1.00</sup> <sub>0</sub> | 1.0     | BEIGE         | WHITE      |             |

(DUST CAP NOT SHOWN)



NOTE:

1. ALL DIMENSIONS ARE GIVEN IN INCHES/MM, EXCEPT OTHERWISE SPECIFIED.

\*2. P/N 106024-3310 AND 106024-5540 ARE BULK PACKED.

3. TUBING MUST BE SHORTENED AFTER FILLING THE EPOXY ACCORDING TO THE TERMINATION PROCEDURE P/N PS-86028-2000

|   |  |                        |  |                   |  |           |  |                           |  |
|---|--|------------------------|--|-------------------|--|-----------|--|---------------------------|--|
| THIS DRAWING CONTAINS INFORMATION THAT IS PROPRIETARY TO MOLEX ELECTRONIC TECHNOLOGIES, LLC AND SHOULD NOT BE USED WITHOUT WRITTEN PERMISSION |  |                        |  |                   |  |           |  |                           |  |
| DIMENSION UNITS   |  | SCALE                  |  | CURRENT REV DESC: |  |           |  | <b>molex</b>              |  |
| INCH  |  | 5:1                    |  |                   |  |           |  |                           |  |
| GENERAL TOLERANCES (UNLESS SPECIFIED)   |  |                        |  | EC NO: 695254     |  |           |  | LC CONNECTOR (BARE FIBER) |  |
| 4 PLACES  |  | ±                      |  | DRWN: JHUANG18    |  |           |  | 2022/01/20                |  |
| 3 PLACES  |  | ± 0.38                 |  | CHK'D: IGUMIN     |  |           |  | 2022/04/29                |  |
| 2 PLACES  |  | ±                      |  | APPR: IGUMIN      |  |           |  | 2022/04/29                |  |
| 1 PLACE   |  | ±                      |  | INITIAL REVISION: |  |           |  | DOCUMENT NUMBER           |  |
| 0 PLACES  |  | ±                      |  | DRWN: PGIBLIN     |  |           |  | SD-1060KK-KKK0            |  |
| ANGULAR TOL   |  | ± 1.0 °                |  | APPR: IGUMIN      |  |           |  | PSD 001 D                 |  |
| DRAFT WHERE APPLICABLE MUST REMAIN WITHIN DIMENSIONS  |  | THIRD ANGLE PROJECTION |  | DRAWING           |  | SERIES    |  | MATERIAL NUMBER           |  |
|   |  | B-SIZE                 |  | 106024            |  | SEE TABLE |  | GENERAL MARKET            |  |
| SHEET NUMBER  |  | 1 OF 1                 |  |                   |  |           |  |                           |  |