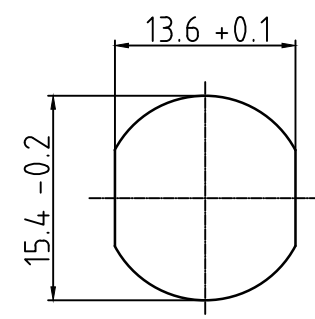


SAP-NUMBER	OLD ENGINEERING NUMBER	POLE
1200705165	8R4J26000 / 0912-041GM-05000	4

CONNECTOR SPECIFICATION:

VOLTAGE RATING	250V AC / 300V DC
AMPERAGE RATING	4 AMPS
PROTECTION	IP68
OPERATING TEMPERATURE	-25°C TO +90°C
ASSEMBLY IS RoHS COMPLIANT BY EXEMPTION	

ITEM	COMPONENT	MATERIAL	FINISH
4	O-RING	NBR / BLACK	---
3	CONTACT	CuZn	GOLD OVER NICKEL
2	INSERT	PUR / BLACK	---
1	HOUSING	CuZn	Ni



PANEL CUTOUT
1 : 1

(...) DIM. FOR INFORMATION
(...) Informationsmaß

DESCRIPTION EC NO: WEU2011-0650 DRWN: BBRAUCH 2011/05/03 CHKD: REISSNER APPR: REISSNER 2011/09/05	QUALITY SYMBOLS	GENERAL TOLERANCES (UNLESS SPECIFIED)	DIMENSION STYLE	SCALE	DESIGN UNITS	THIRD ANGLE PROJECTION																		
	$\nabla = 0$ $\nabla = 0$	<table border="1"> <tr> <th></th> <th>mm</th> <th>INCH</th> </tr> <tr> <td>4 PLACES</td> <td>±---</td> <td>±---</td> </tr> <tr> <td>3 PLACES</td> <td>±---</td> <td>±---</td> </tr> <tr> <td>2 PLACES</td> <td>±---</td> <td>±---</td> </tr> <tr> <td>1 PLACE</td> <td>±0.3</td> <td>±---</td> </tr> <tr> <td>ANGULAR</td> <td colspan="2">± --- °</td> </tr> </table>		mm	INCH	4 PLACES	±---	±---	3 PLACES	±---	±---	2 PLACES	±---	±---	1 PLACE	±0.3	±---	ANGULAR	± --- °		MM ONLY	2:1	METRIC	
		mm	INCH																					
	4 PLACES	±---	±---																					
3 PLACES	±---	±---																						
2 PLACES	±---	±---																						
1 PLACE	±0.3	±---																						
ANGULAR	± --- °																							
REV	DESCRIPTION	DRAFT WHERE APPLICABLE MUST REMAIN WITHIN DIMENSIONS	DRAWN BY DATE BBRAUCH 2011/05/03 CHECKED BY DATE REISSNER 2011/05/05 APPROVED BY DATE REISSNER 2011/09/05 MATERIAL NO. see table	DOCUMENT NO.	REC M12 4P AC MA STR UNSH FRONT PG9 SO ---- MOLEX INCORPORATED SD-120070-269	SHEET NO. 1 OF 1																		
1			SIZE A3	THIS DRAWING CONTAINS INFORMATION THAT IS PROPRIETARY TO MOLEX INCORPORATED AND SHOULD NOT BE USED WITHOUT WRITTEN PERMISSION																				