

REV	DATE	DESCRIPTION	BY	CHK
0	04/04	CONVERTED RADIAL DWG TO TYCO ACAD DWG	RF	JM
1	25FEB10	REVISED	RF	JM
2	08APR10	REVISED	RF	JM

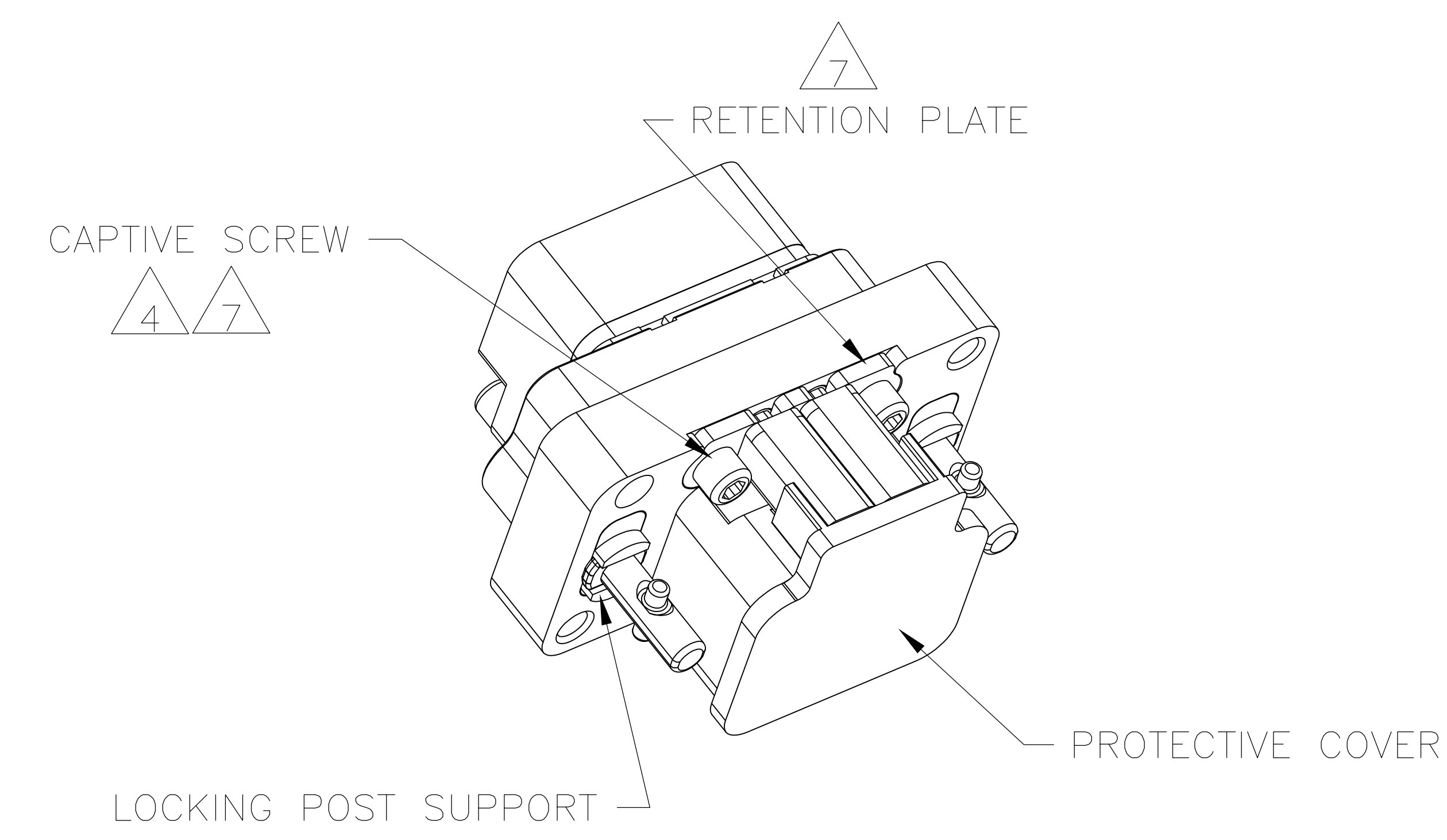
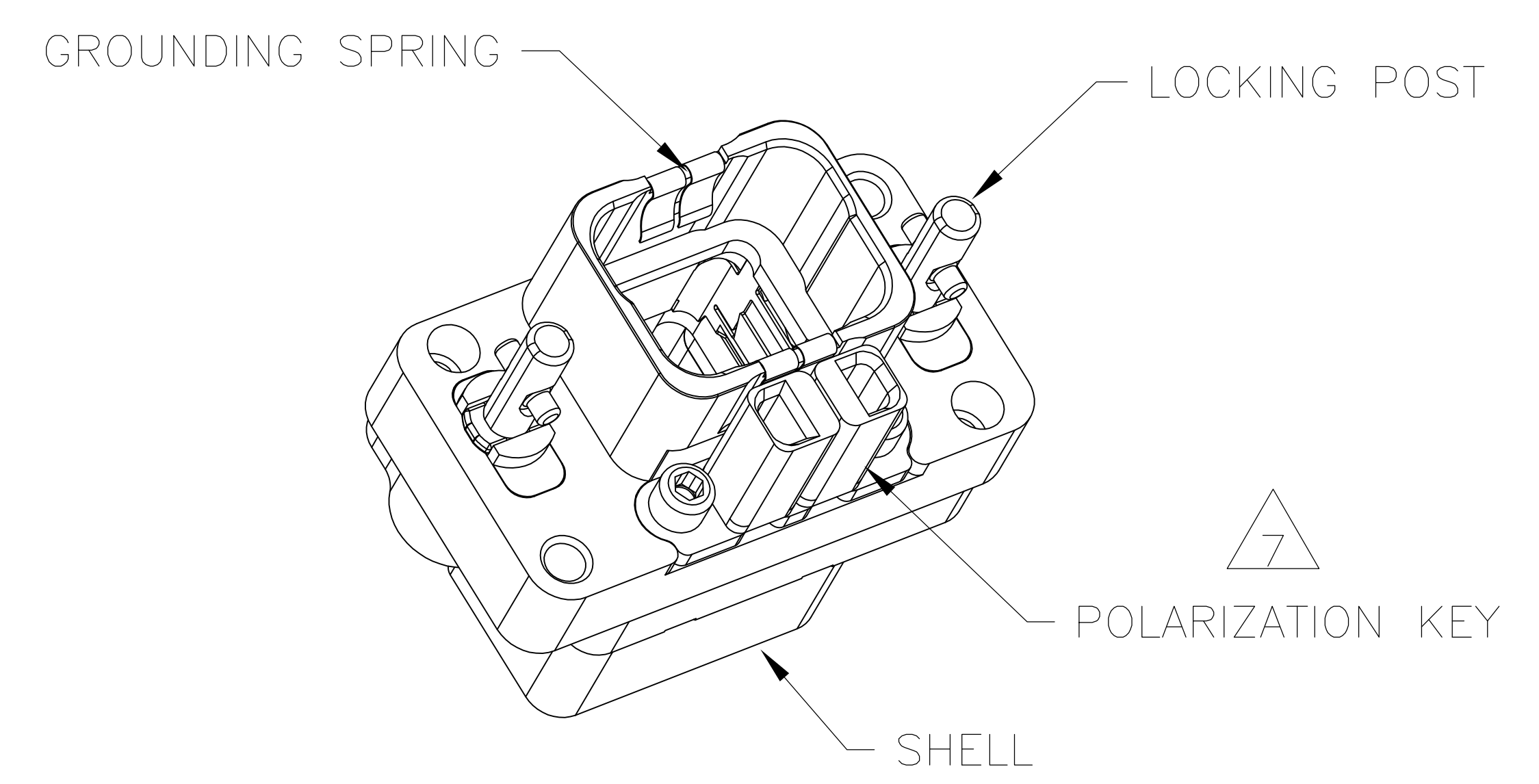
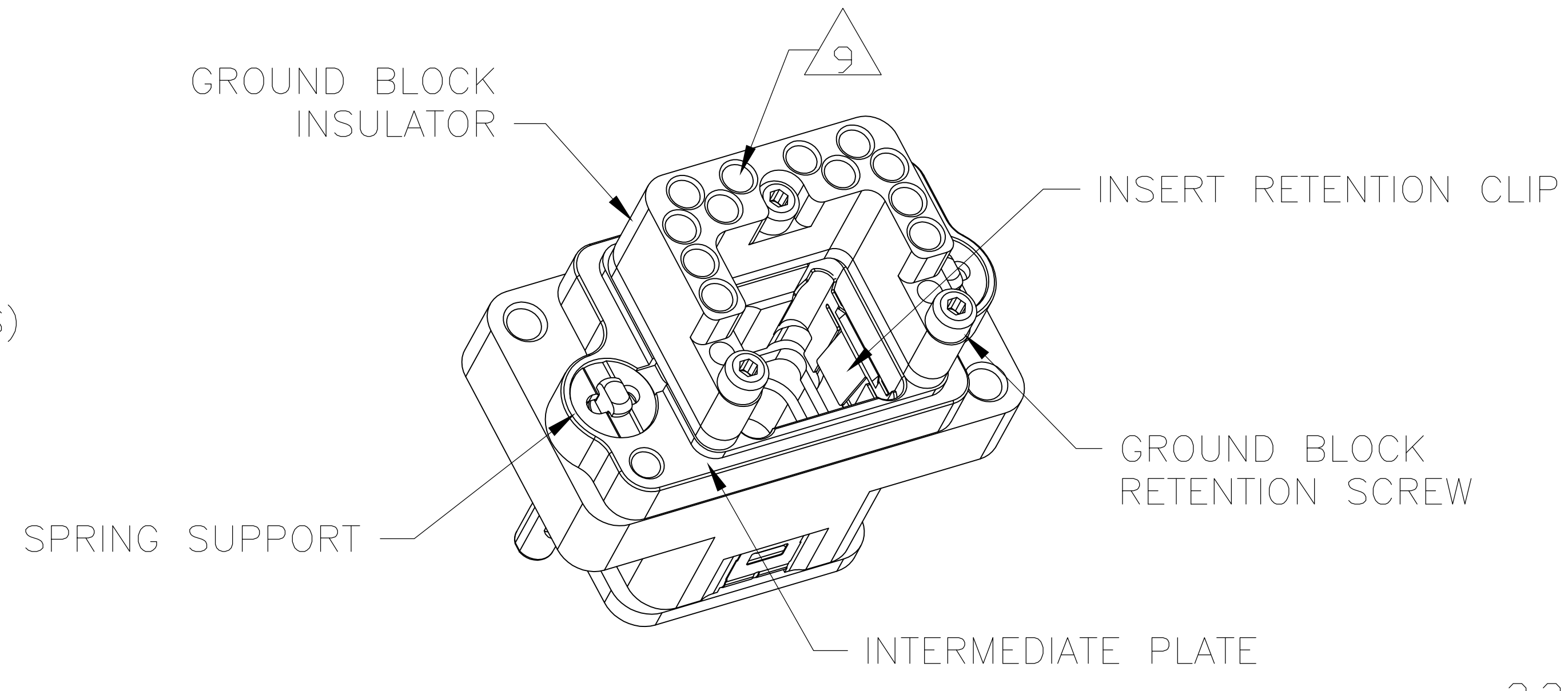
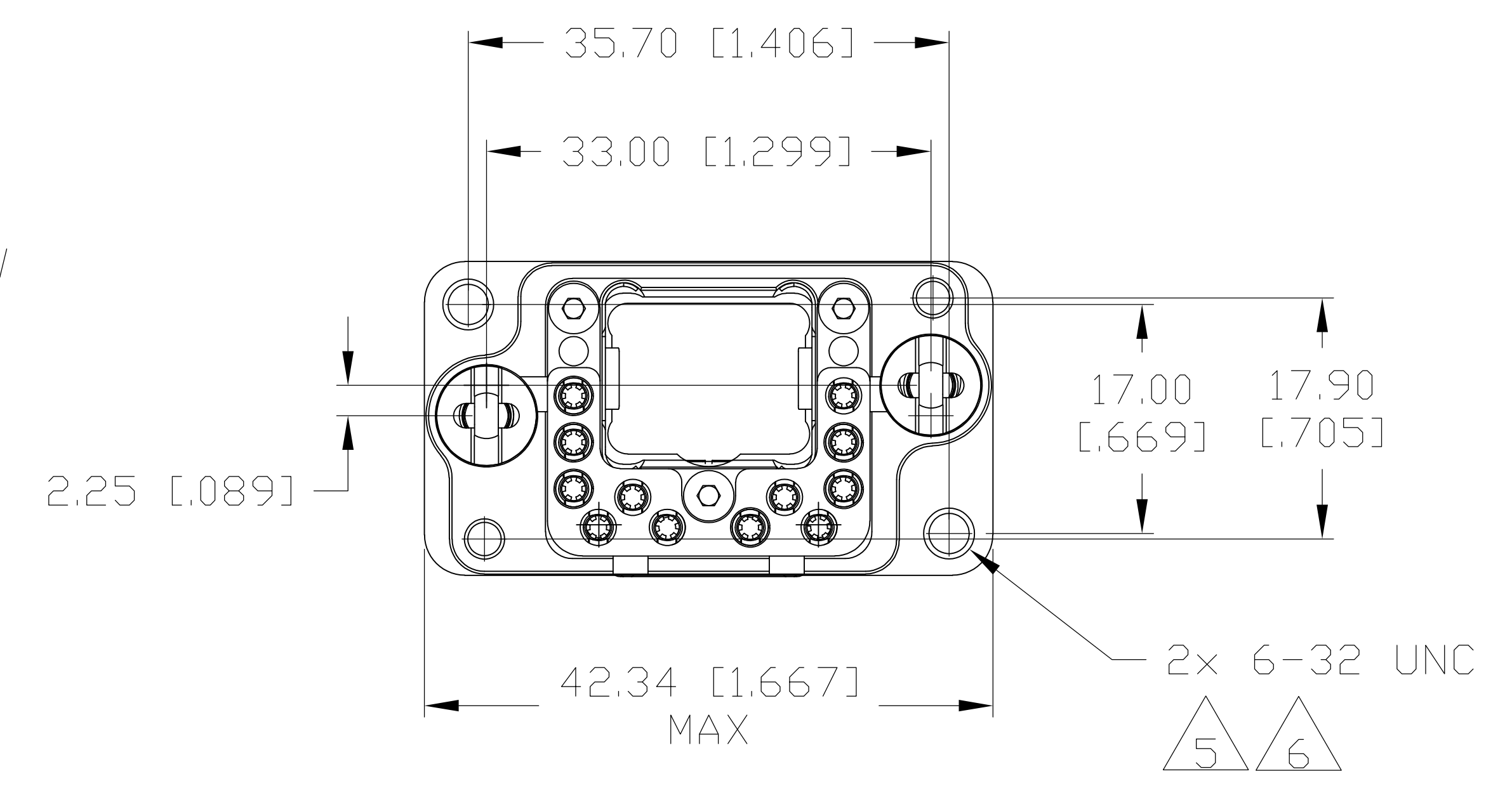
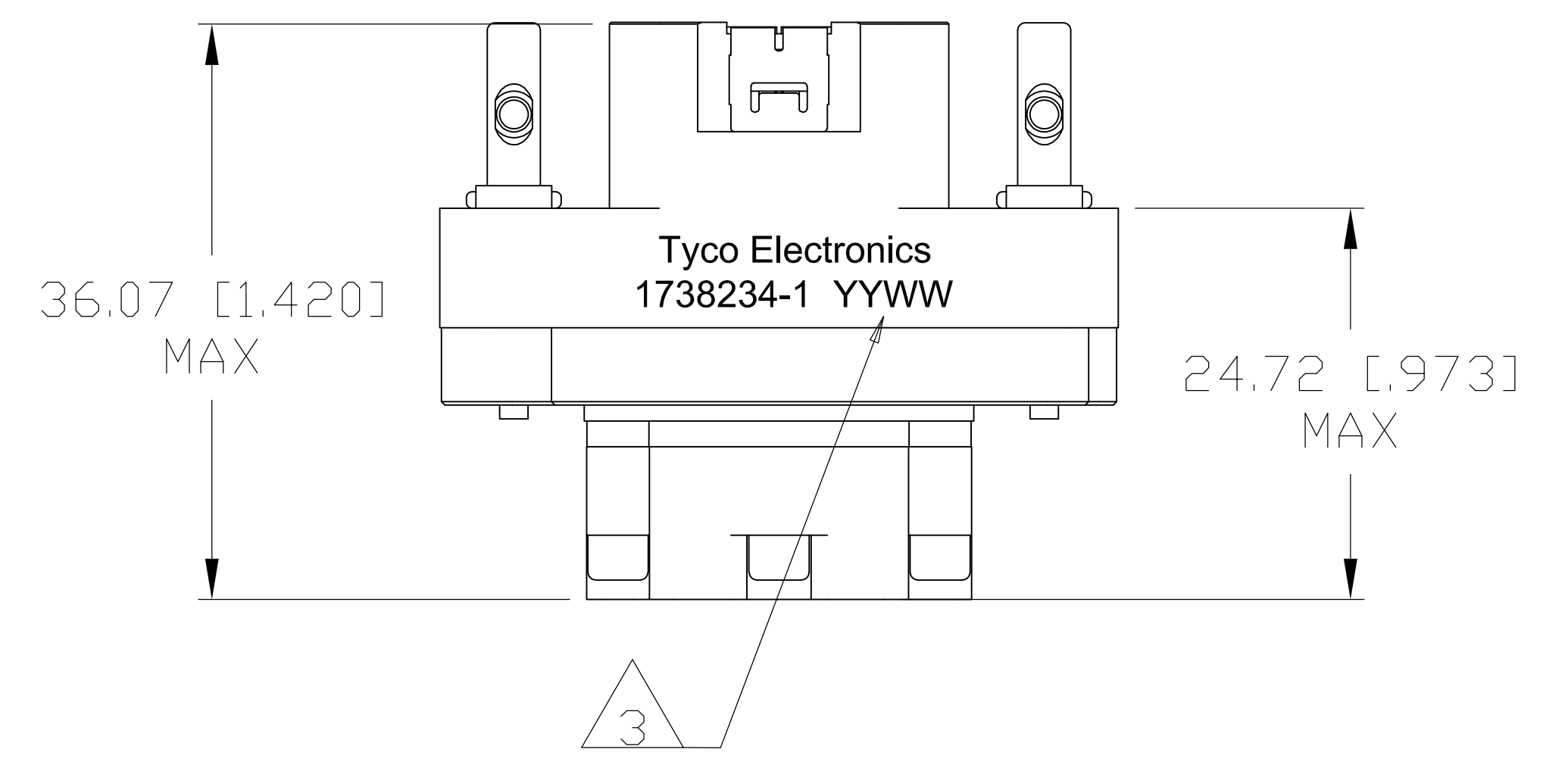
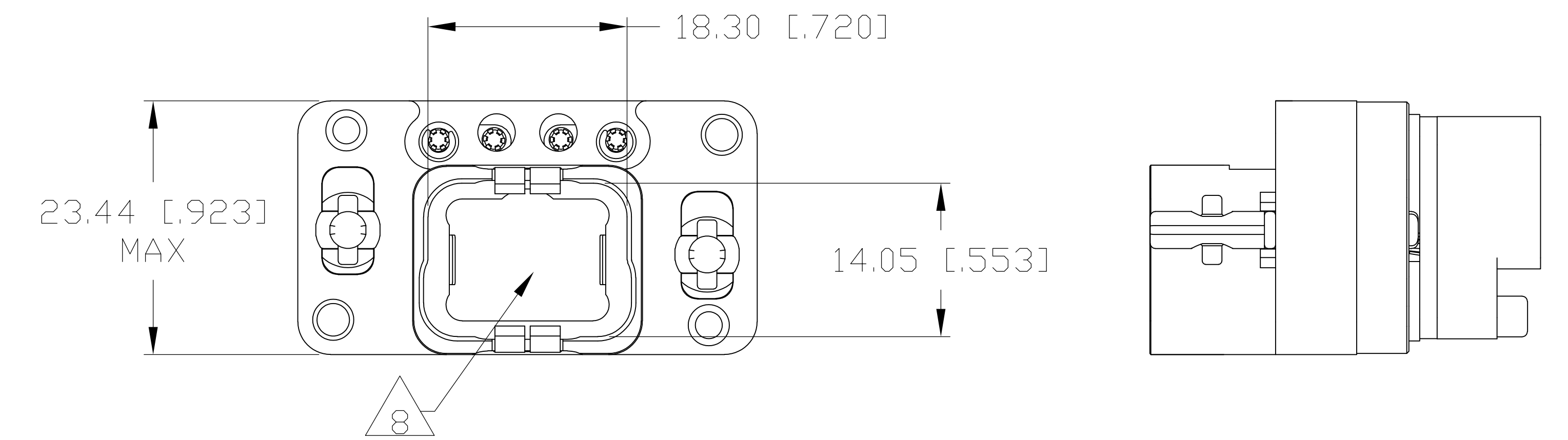
1 SHELL & KEY RETENTION PLATE: ALUMINUM ALLOY  
 LOCKING POST: STAINLESS STEEL PER ASTM B883  
 SPRING: STAINLESS STEEL PER AISI 301  
 SPRING SUPPORT, LOCKING POST SUPPORT, GROUND BLOCK RETENTION SCREW & CAPTIVE SCREW: STAINLESS STEEL PER AISI 303  
 INSERT RETENTION CLIP, GROUND CONTACT RETENTION CLIP, GROUNDING CLIP, & GROUNDING SPRING: COPPER ALLOY PER ASTM B194  
 SCREW RETENTION CLIPS: STAINLESS STEEL PER AISI 304  
 INTERMEDIATE PLATE: COPPER ALLOY PER ASTM B103  
 GROUND BLOCK INSULATOR & POLARIZATION KEY: PEI THERMOPLASTIC PER ASTM D5205  
 PROTECTIVE COVER: THERMOPLASTIC ELASTOMER

2 SHELL: ELECTROLESS NICKEL PER SAE AMS-C-26074, CLASS 1.  
 INTERMEDIATE PLATE: ELECTROLYTIC NICKEL PER SAE AMS-QQ-N-290  
 KEY RETENTION PLATE: ANODIZED, CLEAR  
 GROUNDING CLIP: 1.27µm [50 µin] MIN GOLD PER ASTM B488 OVER 1.25 µm [50 µin] MIN NICKEL PER SAE AMS-QQ-N-290  
 GROUNDING SPRING: ELECTROLYTIC NICKEL PER SAE AMS-QQ-N-290

- 3 DATE CODE - YEAR & WEEK (YY WW)
- 4 4-40 CAPTIVE SCREWS ON KEY RETENTION PLATE  
RECOMMENDED LOCKING TORQUE: 0.8 N.m [7in-lb]
- 5 6-32 SCREWS ARE REQUIRED FOR PANEL MOUNTING (NOT INCLUDED)  
RECOMMENDED LOCKING TORQUE: 1.6 N.m [14 in-lb]
- 6 THREADED HOLES ARE SELF-LOCKING, HAVING THE SPIRALOCK® THREAD FORM.  
SPIRALOCK® IS A REGISTERED TRADEMARK OF SPIRALOCK CORPORATION.
- 7 THE POLARIZATION KEYS & RETENTION PLATE ARE SHIPPED UNASSEMBLED.
- 8 SHELL CAVITY FOR GPRA SERIES INSERTS WITH KEYING CODE A.
- 9 CAVITIES FOR GROUNDING CONTACTS PER M39029/1-101, QTY: 18
- 10 DATUMS ESTABLISHED BY CUSTOMER.
- 11 BASIC DIMENSIONS ESTABLISHED BY CUSTOMER.

12. DESCRIPTIVE PART NUMBER: GPRA1ZM04N  
 SERIES: GPRA  
 SHELL SIZE: 1 (SINGLE-CAVITY SHELL)  
 SHELL STYLE: Z (RECEPTACLE WITH GROUND BLOCK AND GROUNDING SPRINGS)  
 MODIFICATION CODE: M (TWO 6-32 UNC MOUNTING HOLES)  
 LOCKING DEVICE: 0 (QUARTER-TURN FASTENER)  
 POLARIZATION CODE: 4 (KIT, WITH POLARIZING HARDWARE UNASSEMBLED)  
 SHELL PLATING: N (NICKEL PLATING)

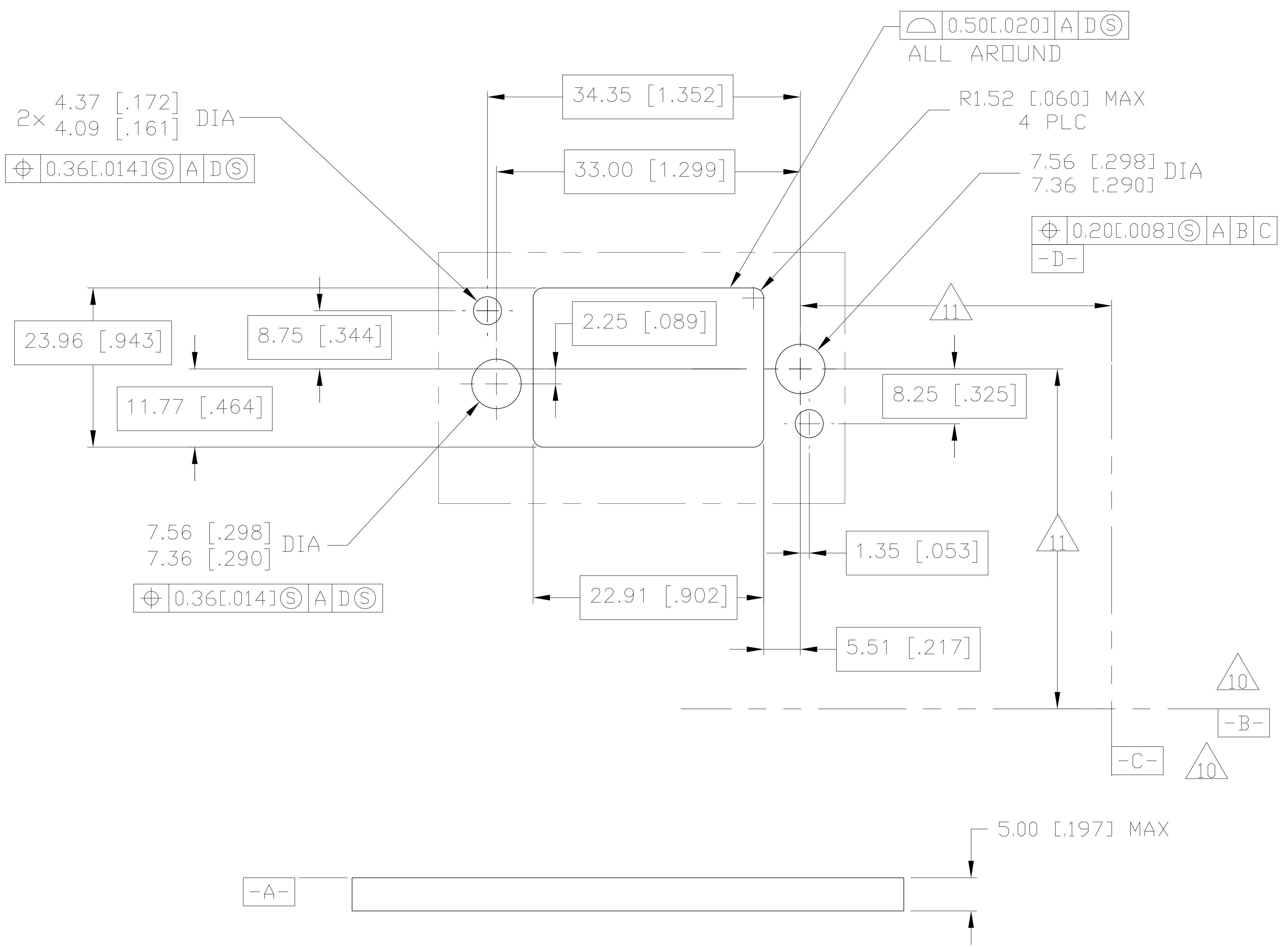
13. THIS PRODUCT IS SOLD BY TYCO ELECTRONICS UNDER A LICENSE FROM RADIAL SA.



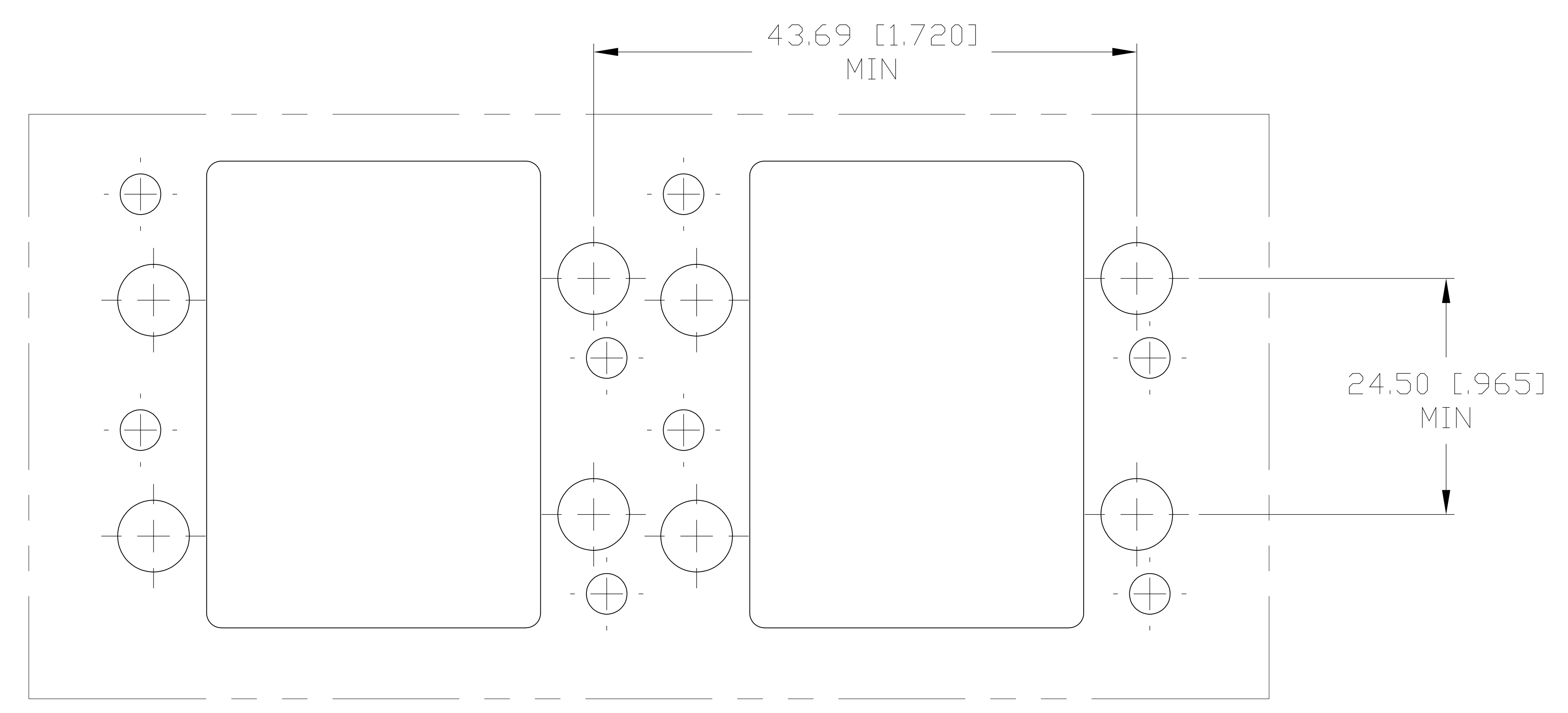
THIS PRINT IS  
**PRELIMINARY**  
 UNQUALIFIED PRODUCT  
 CONTACT PRODUCT ENGINEERING  
 BEFORE USING THIS PRINT

1738234-1  
 PART NUMBER

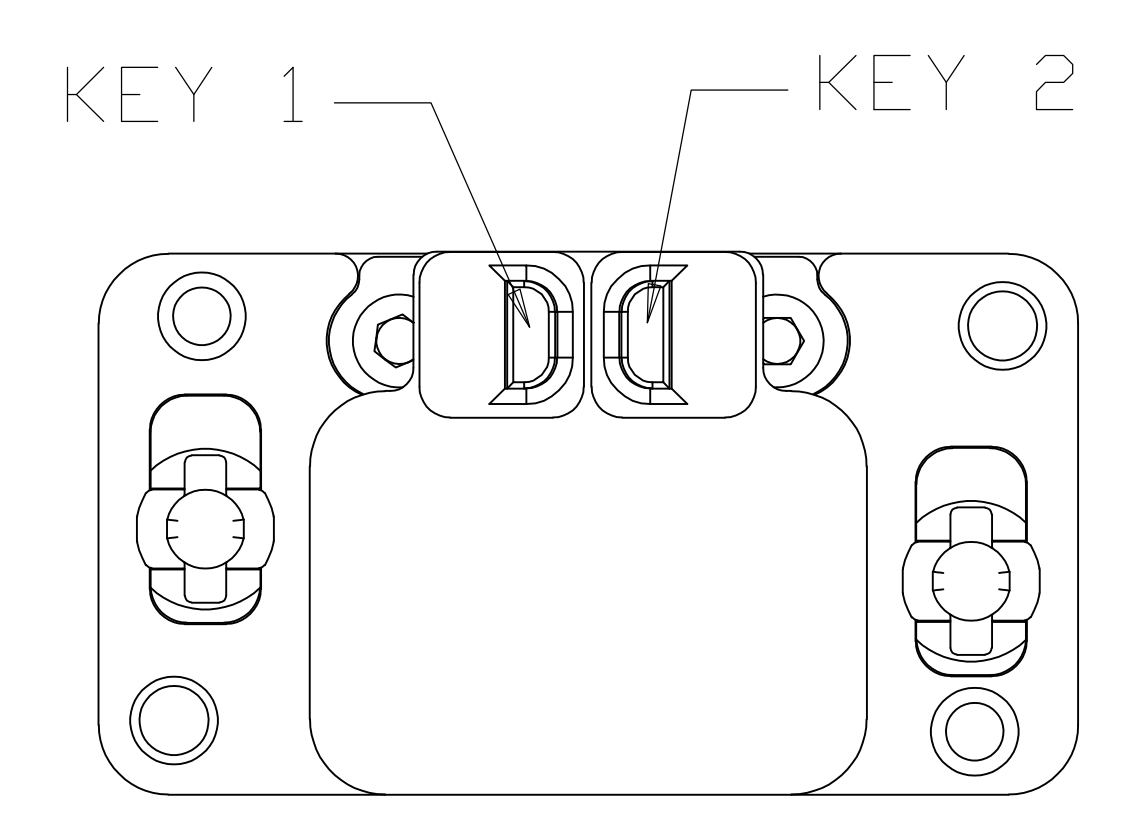
THIS DRAWING IS A CONTROLLED DOCUMENT.		DATE: 04/04	APPRA: [Signature]	TYCO ELECTRONICS CORPORATION
DESIGNER: J. MOSIER		DATE: 04/04	APPRA: [Signature]	Harrisburg, Pa 17105-3608
DRAWN: J. MOSIER		DATE: 04/04	APPRA: [Signature]	RECEPTACLE SHELL KIT, WITH GROUND BLOCK, WITH GROUNDING SPRINGS, WITH POLARIZING HARDWARE GPRA
CHECKED: J. MOSIER		DATE: 04/04	APPRA: [Signature]	SIZE: A0
MATERIAL: ALUMINUM		DATE: 04/04	APPRA: [Signature]	SCALE: 1:1
FINISH: ANODIZED		DATE: 04/04	APPRA: [Signature]	SHEET: 1 OF 2
CUSTOMER DRAWING		DATE: 04/04	APPRA: [Signature]	REV: 2



RECOMMENDED PANEL CUTOUT - COMPONENT SIDE



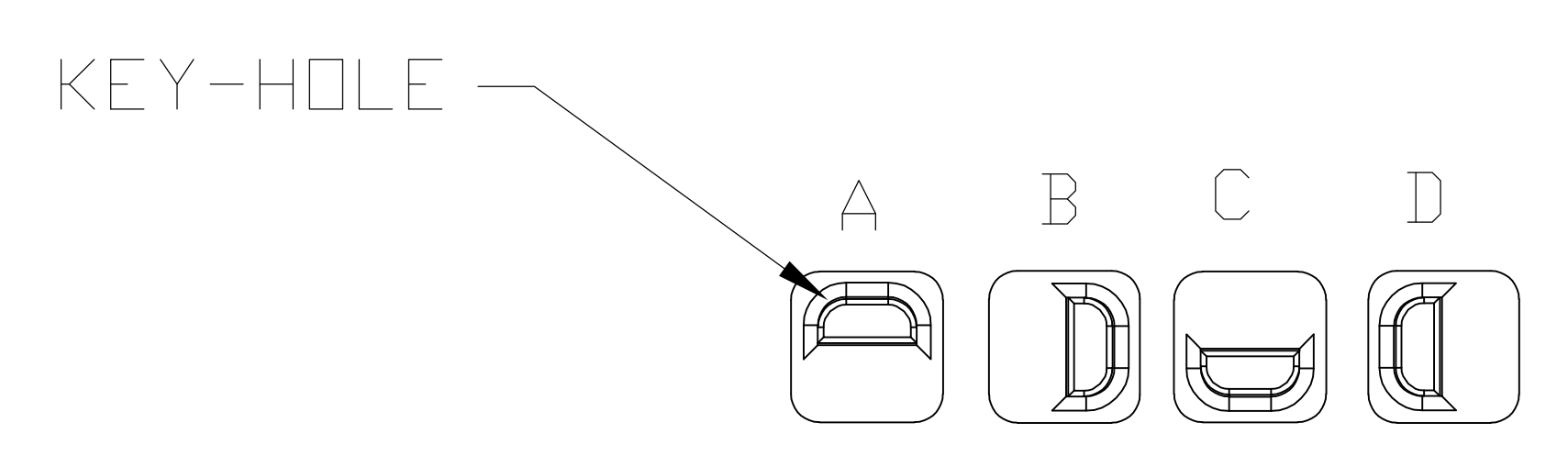
MULTIPLE PANEL CUT-OUT



CODE NUMBER 08 SHOWN: B-D

POLARIZATION KEY 1 POLARIZATION KEY 2

RECEPTACLE CONNECTOR POLARIZATION



CODE NUMBER	KEY 1	KEY 2
01	A	A
02	D	A
03	C	A
04	B	A
05	A	D
06	D	D
07	C	D
08	B	D
09	A	C
10	D	C
11	C	C
12	B	C
13	A	B
14	D	B
15	C	B
16	B	B

KEY-HOLE ORIENTATION

THIS PRINT IS PRELIMINARY UNQUALIFIED PRODUCT CONTACT PRODUCT ENGINEERING BEFORE USING THIS PRINT

1738234-1 PART NUMBER

THIS DRAWING IS A CONTROLLED DOCUMENT.		REV. FLAG	APPROX.	Tyco Electronics Corporation Harrisburg, Pa 17105-3608
DIMENSIONS: mm (INCHES)		DATE	APPROX.	
TOLERANCES UNLESS OTHERWISE SPECIFIED:		MOSIER		RECEPTACLE SHELL KIT, WITH GROUND BLOCK, WITH GROUNDING SPRINGS, WITH POLARIZING HARDWARE GPRA
Ø P.L.C.	± .01	PRODUCT SPEC		SIZE
P.L.C.	± .015	APPLICATION SPEC		SCALE
P.L.C.	± .005	WEIGHT		DRAWING NO
FINISH		CUSTOMER DRAWING		1738234
		SCALE	1:1	SHEET 2 OF 2